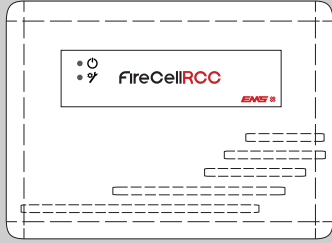


24 VDC RCC (Radio Cluster Communicator)

Installation Guide



Part no

FC-555-024
FC-555-324

Description

24 VDC Powered RCC
24 VDC RCC c/w remote aerial facility

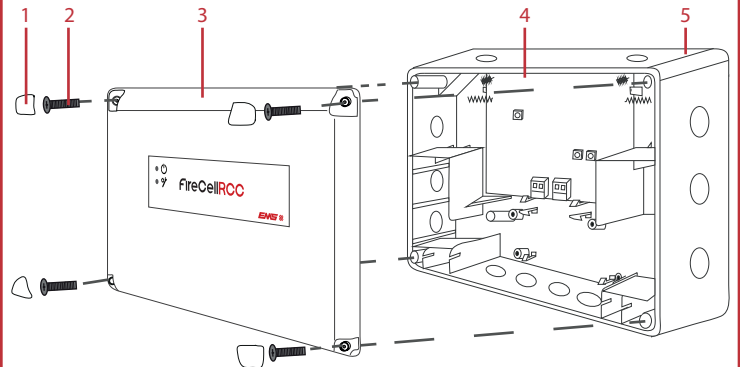
1 Pre installation



Installation must conform to applicable local installation codes and should only be installed by a fully trained competent person.

- Ensure the RCC is installed as per the site survey.
- Refer to step 3 to ensure optimised wireless performance.
- If using remote aerials with this product, refer to the remote aerial installation guide (MK293) for more information.
- This device contains electronics that may be susceptible to damage from Electrostatic Discharge (ESD). Take appropriate precautions when handling electronic boards.

2 Components



1 4x corner covers, 2 4 x lid screws, 3 RCC lid,
4 RCC PCB, 5 RCC back box

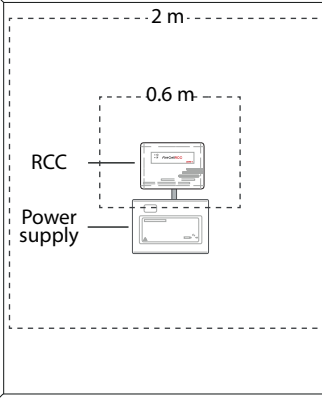
3 Mounting location guidelines



For optimum wireless performance, the following must be observed:

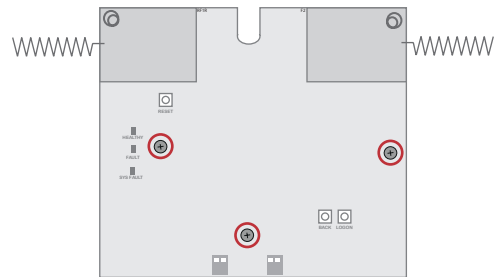
- Ensure the RCC is not installed within 2 m of other wireless or electrical equipment.
- The RCC must not be installed within 0.6 m of any metal work.

Note: the above points exclude the power supply, provided it is mounted below the RCC as shown.



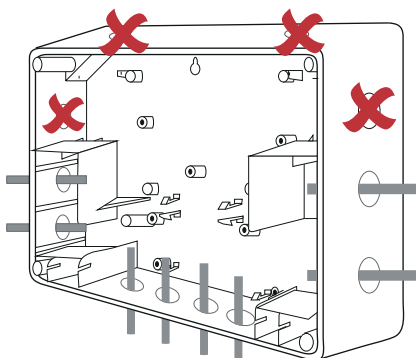
4 Optional PCB / PSU removal

- Remove the three circled retaining screws, before unclipping the PCB.



5 Remove cable entry points

- Drill the cable entry points as necessary.

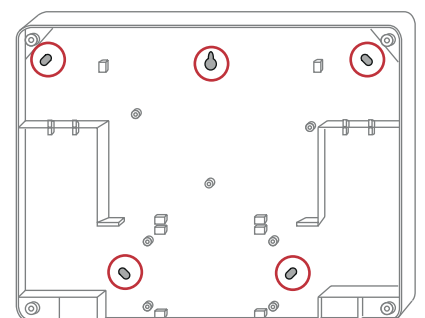


= DO NOT use

= Available cable entry points

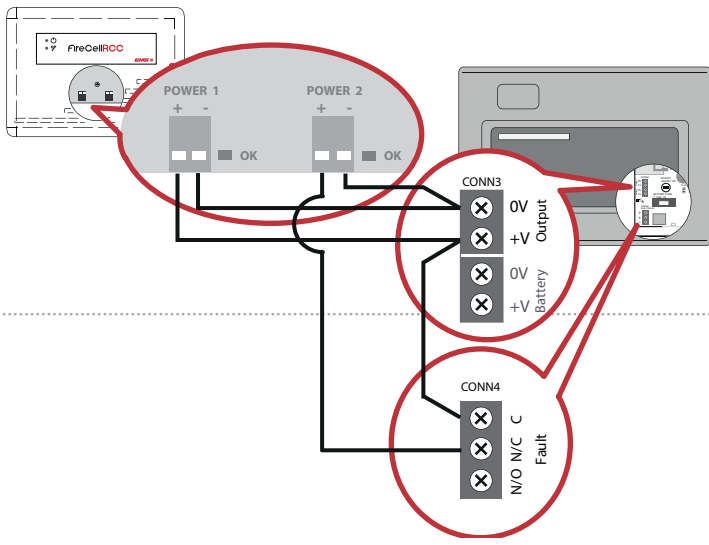
6 Fix to the wall

- All five circled fixing positions are available for use as required.
- The key hole can also be used for locating and fixing where required.



7 Connection wiring

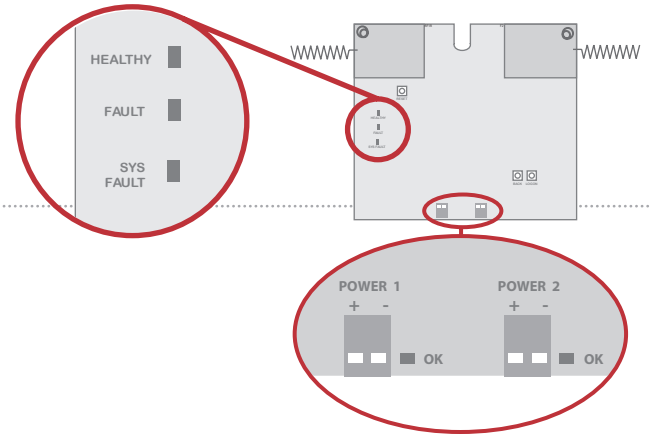
- Power cables should only be passed via the access points available.
- Flame retardant cable glands should be used.
- DO NOT leave excess cable in the RCC.



8 Apply power

Apply power to the power supply. The normal LED states for the RCC are as below:

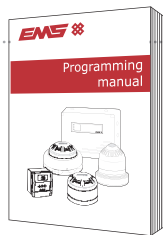
- HEALTHY LED - green LED will be on.
- FAULT LED - yellow LED will be off.
- SYS FAULT LED - yellow LED will be off.
- POWER 1 LED - green LED will be on.
- POWER 2 LED - green LED will be on.



9 Configuration

The RCC's programming and loop address are configured within the menu structure of the radio hub.

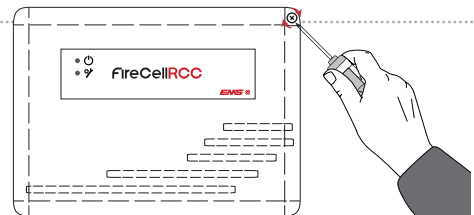
- Refer to the programming manual (*MK98*) for full programming information.



Free to download from www.emsgroup.co.uk

10 Close the RCC



- Ensure that the RCC PCB is correctly inserted and the PCB retaining screws are refitted.
- Refit the RCC lid, ensuring LEDs are not damaged by the light pipe when refitting.



Specification

Operating temperature	-10 to +55 °C
Storage temperature	5 to 30 °C
Humidity	0 to 95% non-condensing
IP rating	IP54
Operating voltage	17 to 28 VDC
Power requirements	17 mA at 24 VDC
Operating frequency	868 MHz
Output transmitter power	0 to 14 dBm (0 to 25 mW)
Signalling protocol	X
Dimensions (W x H x D)	270 x 205 x 85 mm
Weight	0.95 kg
Location	Type A: For indoor use

Regulatory information

Manufacturer	Carrier Manufacturing Poland Sp. z o.o. Ul. Kolejowa 24. 39-100 Ropczyce, Poland
Year of manufacture	See devices serial number label
Certification	  0905 0359
DoP number	0359-CPR-0046
Approved to	EN54-18:2005. Fire detection and fire alarm systems. Part 18: Input/output devices. EN54-25:2008. Incorporating corrigenda September 2010 and March 2012. Fire detection and fire alarm systems. Part 25: Components using radio links.
European Union Directives	EMS declares that this device is in compliance with Directive 2014/53/EU. The full text of the EU declaration of conformity is available at the following internet address: www.emsgroup.co.uk



2012/19/EU (*WEEE directive*): Products marked with this symbol cannot be disposed of as unsorted municipal waste in the European Union. For proper recycling, return this product to your local supplier upon purchase of equivalent new equipment, or dispose of it at designated collection points. For more information see www.recyclethis.info
Dispose of your batteries in an environmentally friendly manner according to your local regulations.