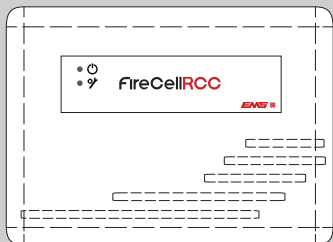


230 VAC RCC (Radio Cluster Communicator)

Installation Guide



Part no

FC-555-001
FC-555-331

Description

230 VAC RCC c/w PSU
230 VAC RCC c/w remote aerial facility & PSU

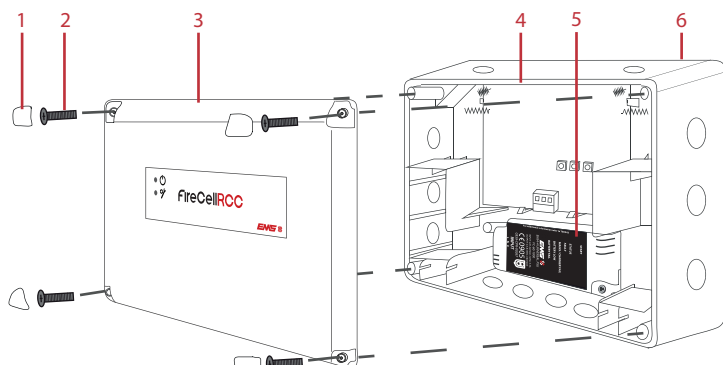
1 Pre installation



Installation must conform to applicable local installation codes and should only be installed by a fully trained competent person.

- Ensure the RCC is installed as per the site survey.
- Refer to step 3 to ensure optimised wireless performance.
- If using remote aerials with this product, refer to the remote aerial installation guide (MK293) for more information.
- This device contains electronics that may be susceptible to damage from Electrostatic Discharge (ESD). Take appropriate precautions when handling electronic boards.

2 Components



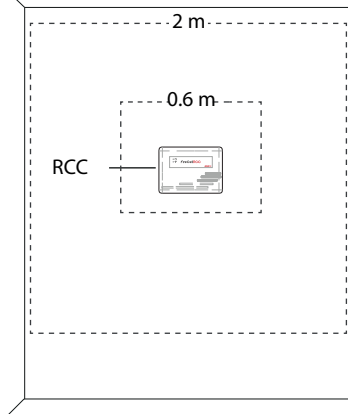
1 4x corner covers, 2 4x lid screws, 3 RCC lid,
4 RCC PCB, 5 RCC PSU, 6 RCC back box

3 Mounting location guidelines



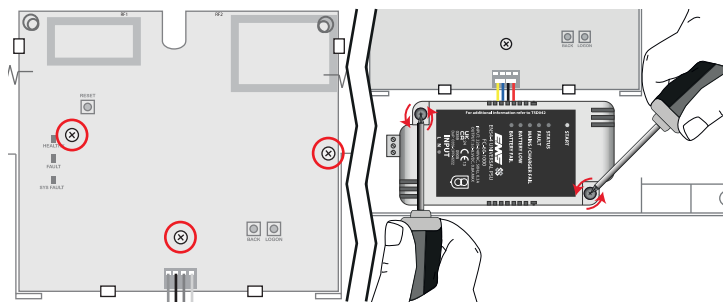
For optimum wireless performance, the following must be observed:

- Ensure the RCC is not installed within 2 m of other wireless or electrical equipment.
- The RCC must not be installed within 0.6 m of any metal work.



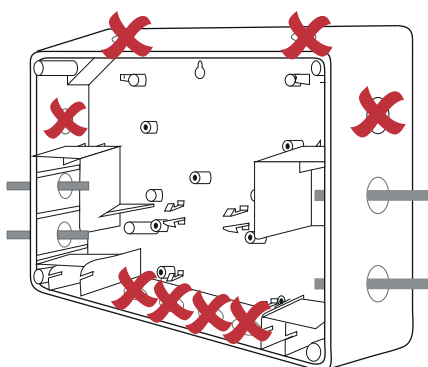
4 Optional PCB / PSU removal

- Remove the three circled retaining screws, prior to unclipping the PCB.
- If removing or rotating the PSU for right hand side mains entry, remove both PSU retaining screws.



5 Remove cable entry points

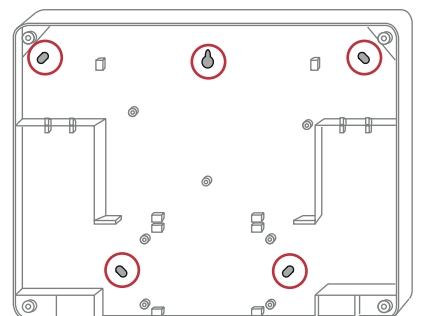
- Drill the cable entry points as necessary.



X = DO NOT use
 = Available cable entry points

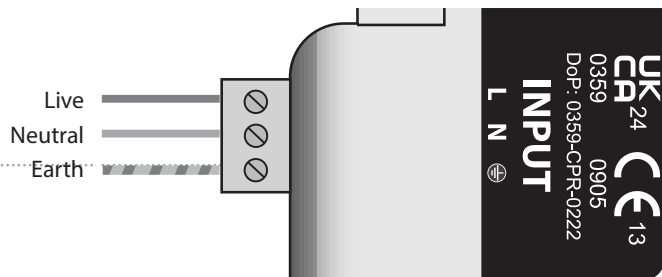
6 Fix to the wall

- All five circled fixing positions are available for use as required.
- The key hole can also be used for locating and fixing where required.



7 Connection wiring

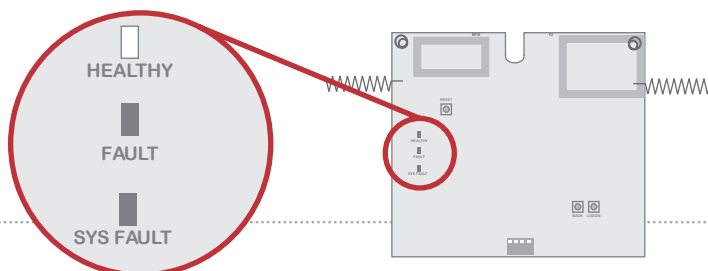
- The RCC is powered from a 220 to 240 VAC supply and requires a 5 A protection device.
- Power cables should only be passed via the access points available.
- Flame retardant cable glands must be used.
- DO NOT leave excess cable in the RCC.
- Cable should have a minimum cross section of 1.5 mm²
- An all-pole mains switch should be provided as part of the building installation.



8 Apply power

Connect the 6V 4Ah battery (sold separately) and apply power to the RCC. The normal LED states for the RCC are as below:

- The green HEALTHY LED will illuminate.
- The yellow FAULT LED will be extinguished
- The yellow SYS FAULT LED will be extinguished.



9 Configuration

The RCC's programming and loop address are configured within the menu structure of the radio hub.

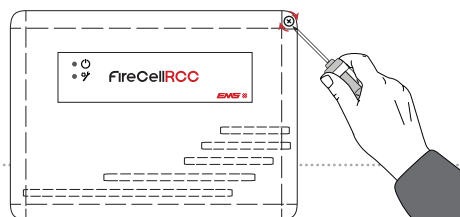
- Refer to the programming manual (MK98) for full programming information.



Free to download from www.emsgroup.co.uk

10 Close the RCC

- Ensure that the RCC PCB is correctly inserted and the PCB retaining screws are refitted.
- Refit the RCC lid, ensuring LEDs are not damaged by the light pipe when refitting.



Specification

Operating temperature	-10 to +55 °C
Storage temperature	5 to 30 °C
Humidity	0 to 95% non-condensing
IP rating	IP54
Battery backup	1 x 6V 4Ah Yuasa NP4-6 (sold separately)

For information on routine battery changes, refer to the Universal PSU instructions (TSD042)

Power requirements Mains powered 220 to 240 VAC, 50 Hz

Current consumption 44 mA (normal operation)
55.5 mA (with mains disconnected)

Battery standby time 72 hours*
*Typical 5 year battery life based on normal usage.
Note: if 72 hours battery standby is required, it is recommended that the battery is replaced every 3 years.

Operating frequency 868 MHz

Output transmitter power 0 to 14 dBm (0 to 25 mW)

Signalling protocol X

Dimensions (W x H x D) 270 x 205 x 85 mm

Weight 1.9 kg (including battery)
1.15 kg (excluding battery)

Location Type A: For indoor use

Regulatory information

Manufacturer Carrier Manufacturing Poland Sp. z o.o.
Ul. Kolejowa 24. 39-100 Ropczyce, Poland

Year of manufacture See devices serial number label

Certification CE 10 0905 UK 24 0359

DoP number 0359-CPR-0046

Approved to EN54-4:1998 Incorporating Amendments Nos. 1 and 2. Fire detection and fire alarm systems. Part 4: Power supply equipment.

EN54-18:2005. Fire detection and fire alarm systems. Part 18: Input/output devices.

EN54-25:2008. Incorporating corrigenda September 2010 and March 2012. Fire detection and fire alarm systems. Part 25: Components using radio links.

European Union Directives EMS declares that this device is in compliance with Directive 2014/53/EU. The full text of the EU declaration of conformity is available at the following internet address: www.emsgroup.co.uk



2012/19/EU (WEEE directive): Products marked with this symbol cannot be disposed of as unsorted municipal waste in the European Union. For proper recycling, return this product to your local supplier upon purchase of equivalent new equipment, or dispose of it at designated collection points. For more information see www.recyclethis.info
Dispose of your batteries in an environmentally friendly manner according to your local regulations.