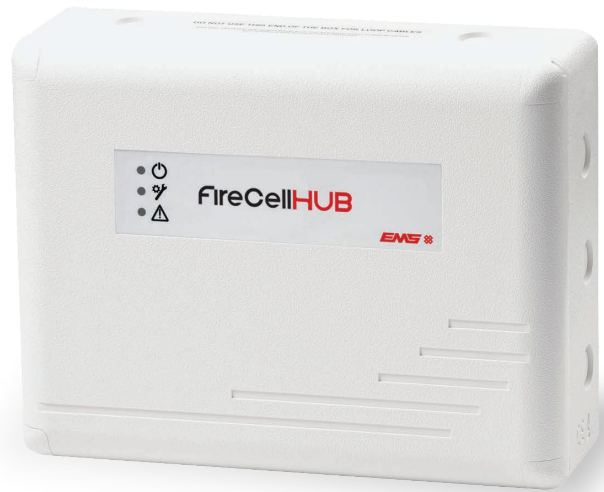


## FireCellHUB

### Product datasheet

#### Key features

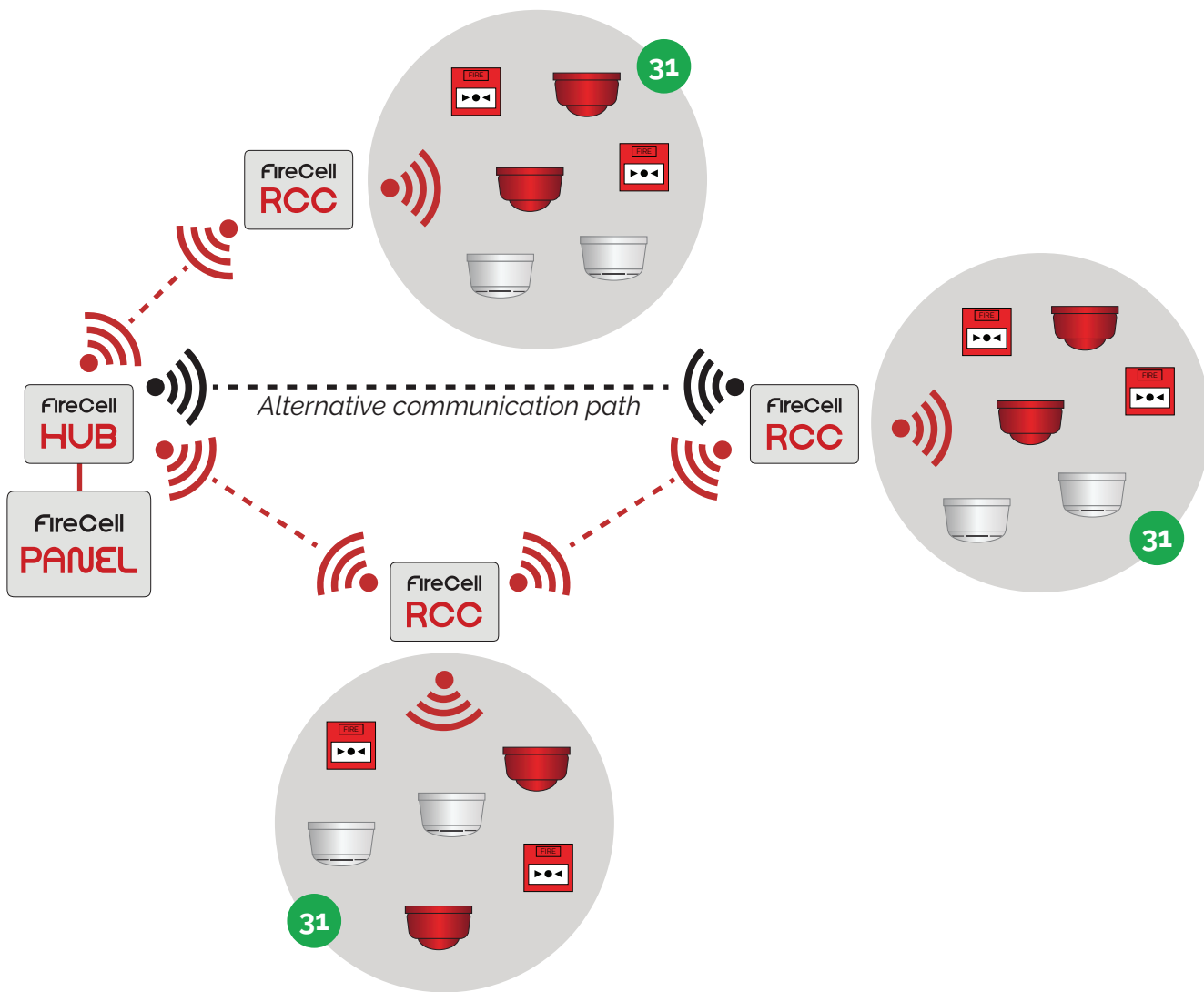
- Smart Cluster Technology
- Internal diversity aerials
- Dual band 868 MHz operation
- 32 radio channel selection
- Up to 31 RCCs
- Up to 504 wireless FireCell devices  
*(when connected to four loops)*
- XP95 loop powered
- Third party EN certified
- Optional external aerials available

















#### Product overview

The FireCell Hub connects to the FireCell fire control panel's XP95 loop. Operating in conjunction with FireCell RCCs (Radio Cluster Communicators), it is possible to create a wireless infrastructure capable of accommodating up to 504 wireless FireCell devices.

This device is third party EN certified, combining diversity aerial methodology, Smart Cluster Technology and 32 channel selection to produce fast and reliable wireless communication.



## Technical data

-  -10 to 55 °C
-  17 to 28 VDC
-  Loop 1: 27 mA (typical) / 63 mA (max.)  
Loops 2 to 4: 4 mA (per each connected loop)
-  RAL 9003 signal white
-  IP54, indoor use only
-  868 MHz
-  14 dBm
-  270 x 205 x 85 mm (W x H x D)
-  0.95 kg
-  X (signalling protocol)  
XP (panel protocol)
-  CE UK CA
-  DoP 0359-CPR-0028
-  EN EN54-18 & EN54-25
-  FCX-500-444