

# Wireless Ceiling Sounder Beacon *Product Datasheet*

## Key features

- Dual band 868 MHz operation
- 32 selectable tones
- 0.5 Hz / 1 Hz beacon flash selection
- Integrated audio monitoring
- Volume control
- Anti tamper locking mechanism
- Third party EN certified



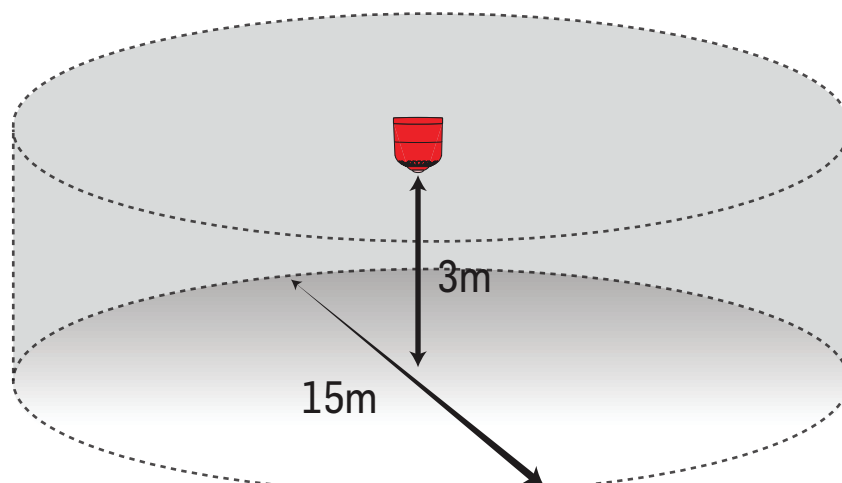
## Product overview

The FireCell Wireless Ceiling Sounder Beacon is quick and easy to install, offering individual addressing at the fire control panel. This device comprises of a sounder beacon and a wireless sounder base.

Features include dual band 868 MHz operation, auto adjusting power output, 32 selectable tones, 0.5 Hz / 1 Hz beacon flash selection, integrated audio monitoring, volume control and anti tamper locking mechanism.

This device is third party EN certified and compatible with the EMS FireCell system, EMS Fusion Radio Loop Module (RLM) and EMS Wireless Zone Monitor (WZM).

Beacon EN54-23 coverage: C-3-15 / 337 m<sup>3</sup>



## Technical data



-10 to 55 °C



3x AA Alkaline batteries (*Panasonic LR6AD Powerline / Varta 4006 Industrial*) & 3x C Alkaline batteries (*Panasonic LR14AD Powerline / Varta 4014 Industrial*)



IP54, indoor use only



868 MHz



0 to 14 dBm (*auto adjusting*)



X (*signalling protocol*)



120 x 145 mm ( $\emptyset$  x D)



0.65 kg



94 to 97 dB(A) at 1 m (*as dispatched*)  
*Low setting reduces volume by 7 dB.*



C-3-15 / 337 m<sup>3</sup>  
0.5 Hz / 1 Hz (*selectable*)



CE14  
0359-CPR-00292



EN54-3, EN54-23 & EN54-25



FC-171-001 *White Wireless Sounder Base only*

FC-171-002 *Red Wireless Sounder Base only*

FC-315-CA1 *White Ceiling Sounder Beacon only*

FC-315-CA2 *Red Ceiling Sounder Beacon only*

FC-323-CA1 *White Ceiling Beacon only*

FC-323-CA2 *Red Ceiling Beacon only*