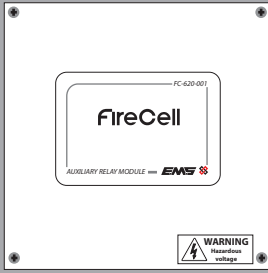


Auxiliary Relay Module Installation Guide



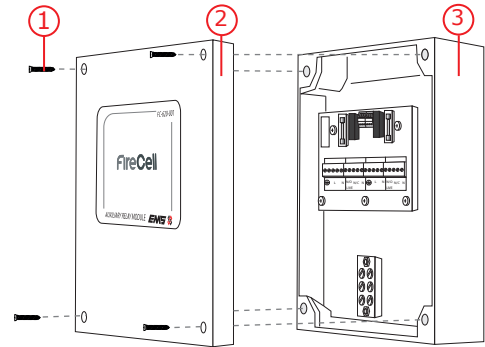
1 Warning



Installation must conform to applicable local installation codes and should only be installed by a fully trained competent person.

- Isolate mains supply before starting work.
- Check all connections. Improper wiring can lead to damage to this device and cause injury to the user.
- Ensure the supply circuit provides adequate fuse or circuit breaker protection, in accordance with the circuits current rating.
- This device contains electronics that may be susceptible to damage from Electrostatic Discharge (ESD). Take appropriate precautions when handling electronic boards.

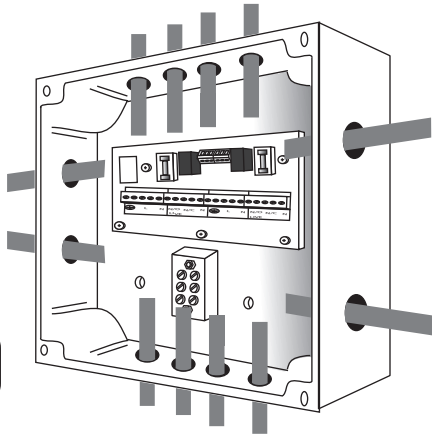
2 Components



- ① 4x lid fixing screws
- ② Front lid
- ③ Back box

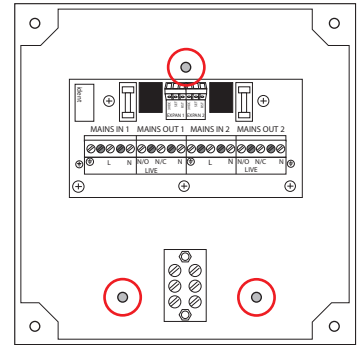
3 Remove cable entry points

- Drill the cable entry points as necessary.



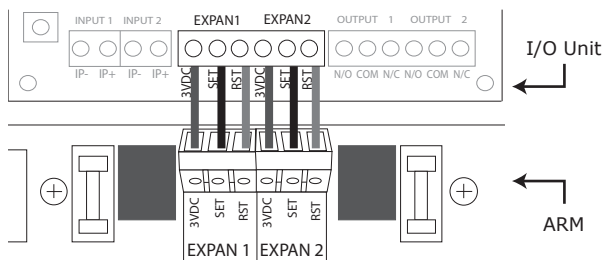
4 Fix back box to wall

- Use all three circled fixing positions to ensure a firm fixing.
- Use suitable fasteners and fixings.

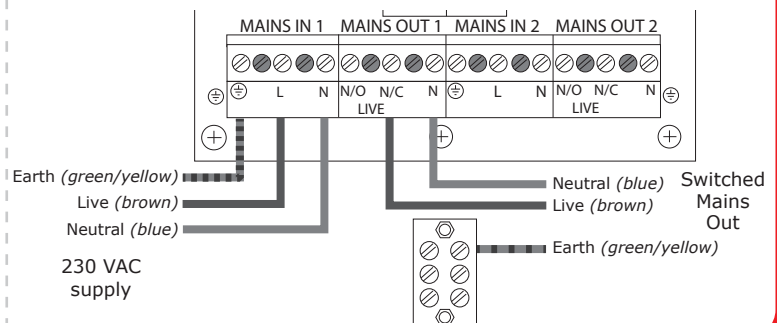


5 Device wiring

- The auxiliary relay module requires connection to a FireCell input / output (I/O) unit.



- Two relay outputs are available.
- The relay outputs are each capable of switching voltages as specified in the technical specification section of this document.



6 Output operation

- The auxiliary relay modules relays operate in conjunction with the connected i/o units relay operation.
- MAINS OUT 1 follows the operation of the I/O Unit's OUTPUT 1.
- MAINS OUT 2 follows the operation of the I/O unit's OUTPUT 2.

FireCell I/O unit	FireCell auxiliary relay module
Output not activated	N/O output on MAINS OUT will have no voltage present.
	N/C output on MAINS OUT will have 230Vac present.
Output activated	N/O output on MAINS OUT will have 230Vac present.
	N/C output on MAINS OUT will have no voltage present.

Specification

Operating temperature	-10 to 55 °C
Storage temperature	5 to 30 °C
Humidity	0 to 95% non-condensing
Power requirements	230 VAC supply
Trigger voltage	2.8 to 5 VDC
Output rating	3.15 A at 250 VAC, 50 Hz
Output fuse rating	3.15 A (<i>ceramic 5 x 20 mm sand filled type</i>)
Dimensions (W x H x D)	160 x 160 x 53 mm
Location	Type A: For indoor use

Regulatory information

Manufacturer	Carrier Manufacturing Polska Sp. Z o.o. Ul. Kolejowa 24. 39-100 Ropczyce, Poland
Year of manufacture	See devices serial number label
Complies with	EN60950-1:2006+A12:2011 - Incorporating corrigenda June 2006, August 2006, September 2010, August 2011, October 2011 and August 2012. Information technology equipment - Safety. Part 1: General requirements.
	
	2012/19/EU (WEEE directive): Products marked with this symbol cannot be disposed of as unsorted municipal waste in the European Union. For recycling, return this product to your local supplier upon purchase of equivalent new equipment, or dispose of it at designated collection points. For more information see www.recyclethis.info