

Radio Network Communicator (RNC) Installation Guide



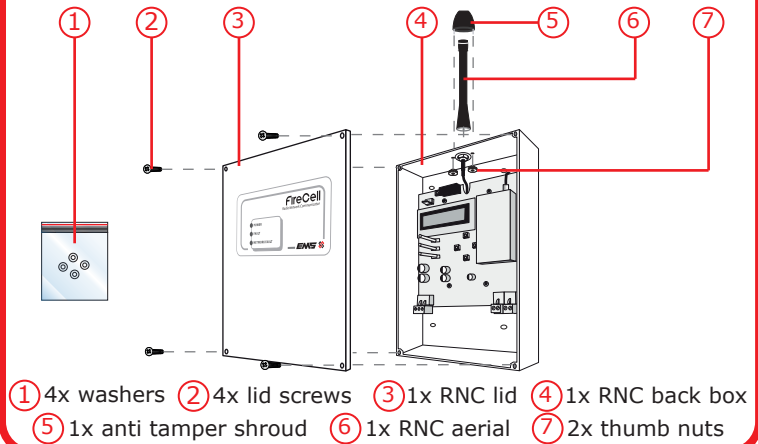
1 Pre installation



Installation must conform to applicable local installation codes and should only be installed by a fully trained competent person.

- Ensure the RNC is installed as per the site survey.
- Refer to step 3 to ensure optimised wireless performance.
- If using remote aerials with this product, refer to the Remote Network Communicator Installation details document (*TSD105*) for more information.
- This device contains electronics that may be susceptible to damage from Electrostatic Discharge (*ESD*). Take appropriate precautions when handling electronic boards.

2 Components

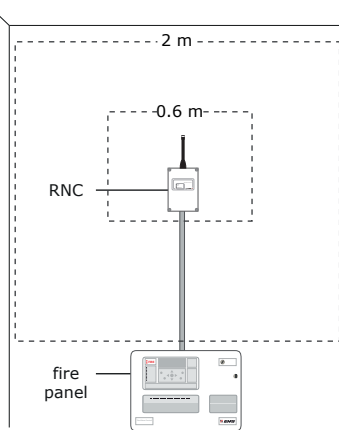


3 Mounting location guidelines



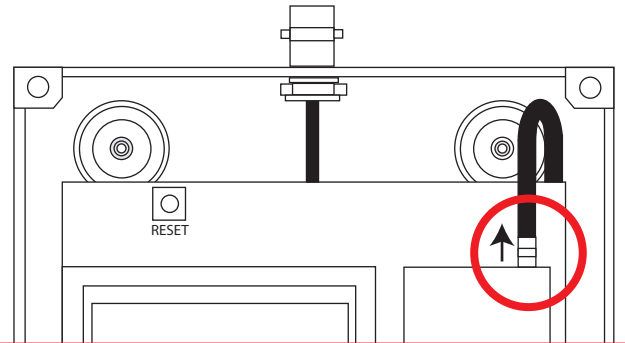
For optimum wireless performance, the following must be observed:

- Ensure the RNC is not installed within 2 m of other wireless or electrical equipment (*including the control panel*)
- The RNC's aerial must not be installed within 0.6 m of any metal work.
- RNCs connected to Syncro AS panels must also have a high gain aerial fitted, with the aerial and RNC separated by 5 m.



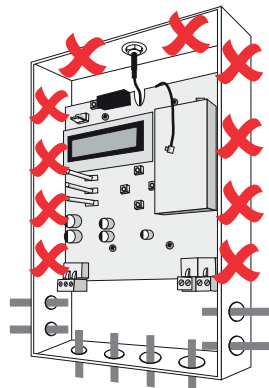
4 Disconnect aerial fly lead

- Carefully remove the aerial fly lead push on connector, ensuring excessive strain is not placed on the lead or connections.



5 Remove cable entry points

- Drill the cable entry points as necessary.

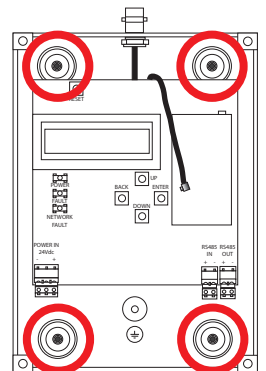
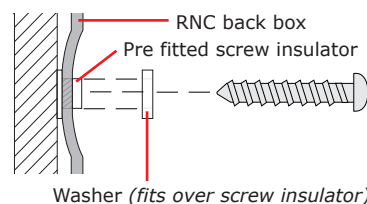


X = DO NOT use

■ = Available cable entry points

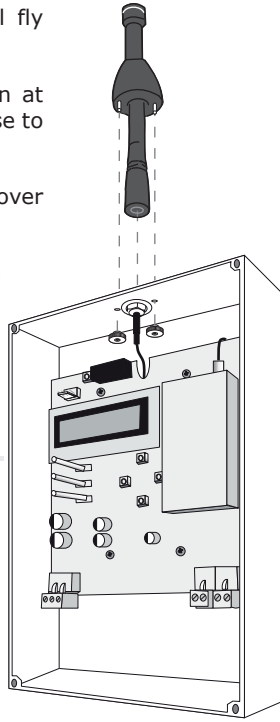
6 Fix to the wall

- All four circled fixing positions are available for use.
- Ensure that the supplied washers are fitted to all four fixing positions, as shown below.



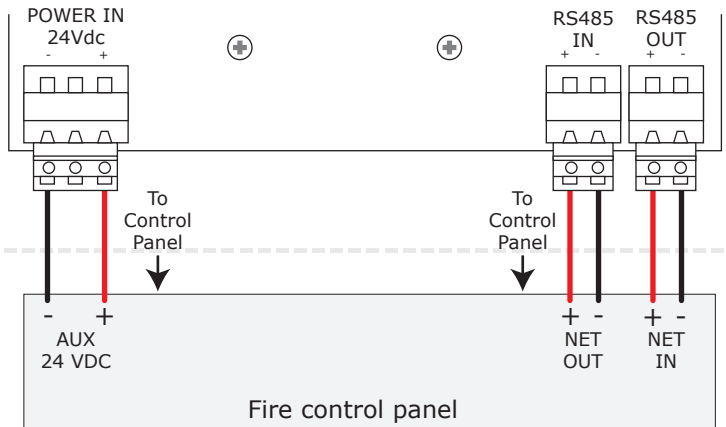
7 Aerial installation

- Refit the previously removed aerial fly lead connection.
- Fit the aerial to the BNC connection at the top of the unit and twist clockwise to secure into position.
- Fit the aerial anti-tamper shroud over the aerial.
- Secure the shroud, by tightening the two thumb nuts onto the bottom of the aerial shroud as shown.
- Note: If fitting a remote aerial to the RNC, replace the standard aerial shown.
- Refer to the 'Radio Network Communicator Installation Details sheet' (TSD105) for additional information on fitting remote aerials.



8 Connection wiring

- Cables should only be passed via the access points available.
- Flame retardant cable glands should be used.
- DO NOT leave excess cable in the RNC.
- DO NOT earth the enclosure box.



- Once all connections are made, apply power to the control panel.

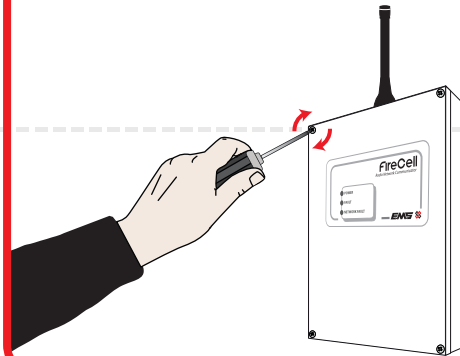
9 Configuration

- Programming is only necessary if the RNC, when powered displays 'Unprogrammed'.
- The RNC's programming is configured within the menu structure of the RNC.
- Refer to the 'RNC Quick Start Guide' (TSD106) for programming information. These details can also be found on the RNC lid.
- If the RNC is displaying a fault, re-check wiring then refer to the 'RNC Programming Manual' (MK137) for full details. (Free to download from www.emsgroup.co.uk)



10 Close RNC

- Refit the RNC Lid to complete the installation.



Specification

| | |
|---------------------------------|-------------------------|
| Operating temperature | -10 to 55 °C |
| Storage temperature | 5 to 30 °C |
| Humidity | 0 to 95% non-condensing |
| IP rating | IP54 |
| Operating voltage | 75 mA at 24 VDC |
| Operating frequency | 458 MHz |
| Output transmitter power | 500 mW |
| Dimensions (W x H x D) | 156 x 228 x 48 mm |
| Weight | 0.65 kg |
| Application | Indoor Use Only |

Regulatory Information

| | |
|----------------------------------|--|
| Manufacturer | Carrier Manufacturing Polska Sp. Z o.o. Ul. Kolejowa 24. 39-100 Ropczyce, Poland |
| Year of manufacture | See devices serial number label |
| Complies with | EN300-220 EN301-489 EN60950 |
| European Union directives | Hereby, EMS declares that the radio equipment type FireCell RNC is in compliance with Directive 2014/53/EU. The full text of the EU declaration of conformity is available at the following internet address: www.emsgroup.co.uk |



2012/19/EU (WEEE directive): Products marked with this symbol cannot be disposed of as unsorted municipal waste in the European Union. For proper recycling, return this product to your local supplier upon purchase of equivalent new equipment, or dispose of it at designated collection points. For more information see www.recyclethis.info