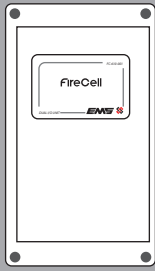


Wireless Input Output Unit Installation Guide



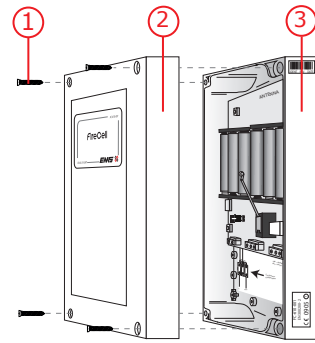
1 Pre installation



Installation must conform to applicable local installation codes and should only be installed by a fully trained competent person.

- Ensure that the device is installed as per the site survey.
- The use of a non-metallic spacer should be considered if mounting the device on to a metal surface.
- Do NOT Press the Log On button on a pre-programmed device, as this will cause communication with the Control Panel to be lost. Should this happen, delete the device from the system and add it back on.
- This device contains electronics that may be susceptible to damage from Electrostatic Discharge (ESD). Take appropriate precautions when handling electronic boards.

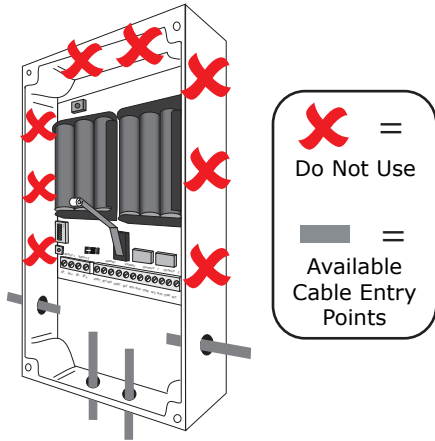
2 Components



- ① 4x lid fixing screws ② Front lid ③ Back box

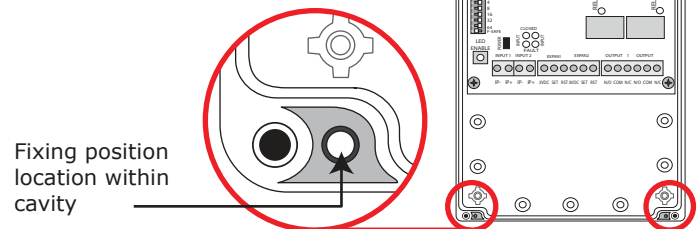
3 Remove cable entry points

- Drill the cable entry points as necessary.
- Cable glands should be used.
- DO NOT leave excess cable in the device.



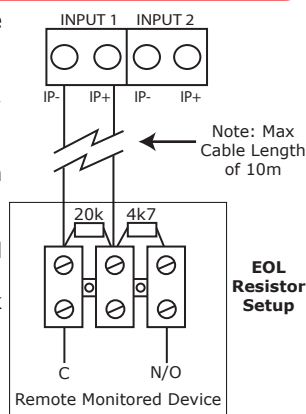
4 Fix to the wall

- Use all four circled fixing positions to ensure a firm fixing.
- Use suitable fasteners and fixings.



5 Input wiring

- Two resistor monitored inputs are available.
- Both inputs monitor; closed (*alarm*), open and short circuit conditions.
- Each input is factory fitted with an end of line 20 kΩ resistor.
- To connect inputs to external devices, wire as shown below. I.e. Input 1, using the resistor pack provided.
- If an input is not being used, leave the 20 kΩ resistor as factory fitted.



6 Output wiring

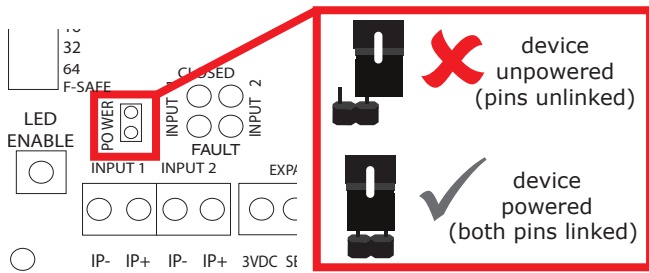
- Two outputs are also available.
- Both outputs are voltage free and rated 2 A at 24 VDC.

OUTPUT 1			OUTPUT 2		
N/O	COM	N/C	N/O	COM	N/C
○	○	○	○	○	○

⚠ WARNING. DO NOT CONNECT TO MAINS.

7 Power device

- When fitting / replacing batteries; observe correct polarity, using only specified batteries.
- Connect the power jumper across the PIN header.



- Once powered, reassemble the device.

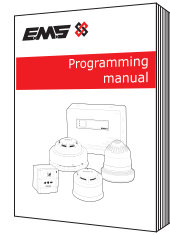
8 Configuration

The device's loop address is configured within the user interface's menu structure.

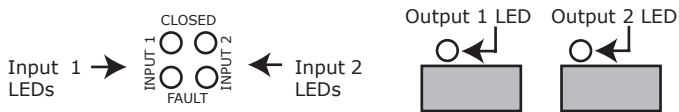
- Refer to the programming manual for full programming details.

FireCell = MK98
Fusion = TSD062
WZM = TSD143

Free to download from
www.emsgroup.co.uk



9 LED operation



The device has six indication LEDs. Pressing the LED enable button enables their illumination for 10 minutes before automatically timing out.

2x Input Fault: YELLOW LED ON ☀ = FAULT

2x Input Closed: RED LED ON ☀ = ACTIVE

2x Output: RED LED ON ☀ = ACTIVE

Specification

Operating temperature	-10 to +55 °C
Storage temperature	5 to 30 °C
Humidity	0 to 95% non-condensing
Supply	6x AA alkaline (Panasonic LR6AD Powerline / Varta 4006 Industrial)
CAUTION! Fitting of an incorrect battery type invalidates the product certification and may result in poor performance.	
Output rating	2 A at 24 VDC
IP rating	IP65
Operating frequency	868 MHz
Output transmitter power	Auto adjusting 0 to 14 dBm (0 to 25 mW)
Dimensions (W x H x D)	120 x 240 x 60 mm
Weight	0.95 kg
Location	Type A: For indoor use

Regulatory Information

Manufacturer	Carrier Manufacturing Polska Sp. Z o.o. Ul. Kolejowa 24. 39-100 Ropczyce, Poland
Year of manufacture	See devices serial number label
Certification	CE 10
Certification body	0905
CPR DoP	0359-CPR-0039
Approved to	EN54-18:2005. Fire detection and fire alarm systems. Part 18: Input/output devices. EN54-25:2008. Incorporating corrigenda September 2010 and March 2012. Fire detection and fire alarm systems. Part 25: Components using radio links.
European Union directives	EMS declares that this device is in compliance with Directive 2014/53/EU. The full text of the EU declaration of conformity is available at the following internet address: www.emsgroup.co.uk
	2012/19/EU (WEEE directive): Products marked with this symbol cannot be disposed of as unsorted municipal waste in the European Union. For recycling, return this product to your local supplier upon purchase of equivalent new equipment, or dispose of it at designated collection points. For more information see www.recyclethis.info

Dispose of your batteries in an environmentally friendly manner according to your local regulations.