

Radio Network Communicator (RNC) For Taktis® Installation Guide



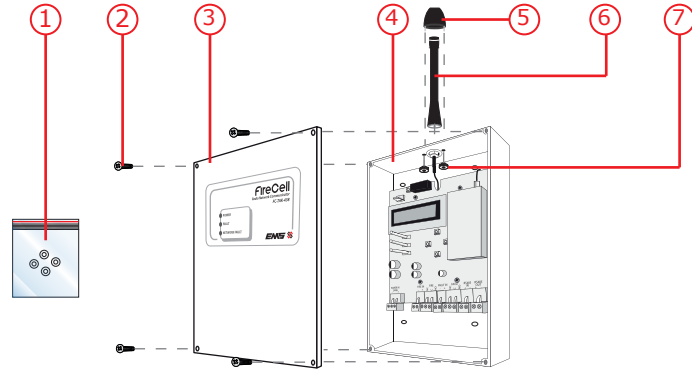
1 Pre installation



Installation must conform to applicable local installation codes and should only be installed by a fully trained competent person.

- Ensure the RNC is installed as per the site survey.
- Refer to step 3 to ensure optimised wireless performance.
- This device contains electronics that may be susceptible to damage from Electrostatic Discharge (ESD). Take appropriate precautions when handling electronic boards.

2 Components



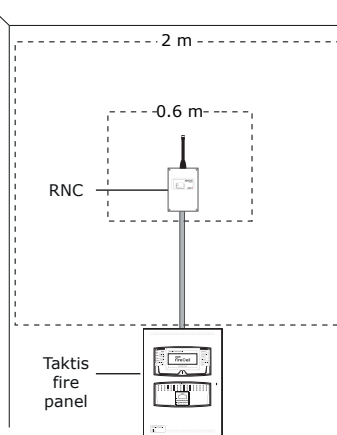
- ① 4x washers ② 4x lid screws ③ 1x RNC lid ④ 1x RNC back box
⑤ 1x anti tamper shroud ⑥ 1x RNC aerial ⑦ 2x thumb nuts

3 Mounting location guidelines



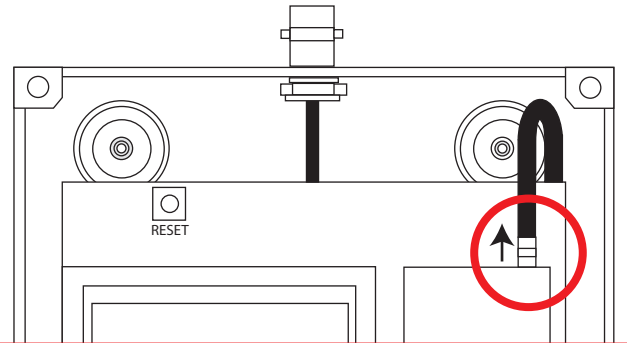
For optimum wireless performance, the following must be observed:

- Ensure the RNC is not installed within 2 m of other wireless or electrical equipment (including the Taktis control panel)
- The RNC's aerial must not be installed within 0.6 m of any metal work.



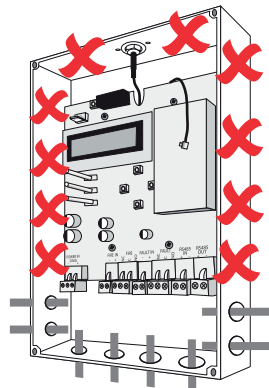
4 Disconnect aerial fly lead

- Carefully remove the aerial fly lead push on connector, ensuring excessive strain is not placed on the lead or connections.



5 Remove cable entry points

- Drill the cable entry points as necessary.

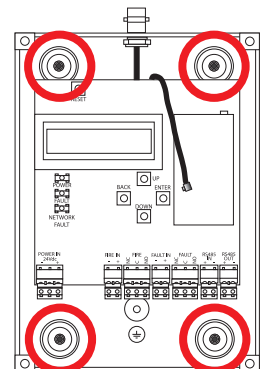
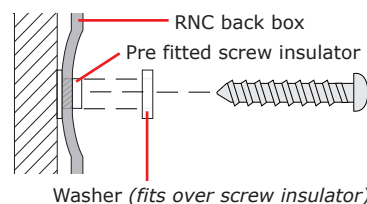


X = DO NOT use

■ = Available cable entry points

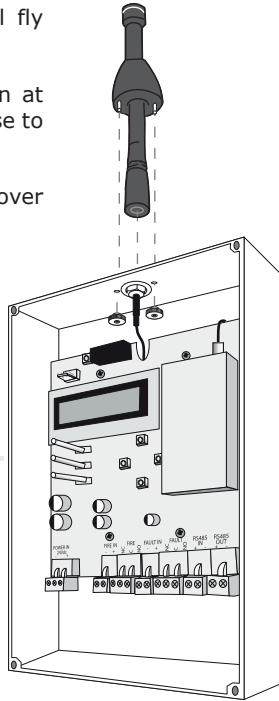
6 Fix to the wall

- All four circled fixing positions are available for use.
- Ensure that the supplied washers are fitted to all four fixing positions, as shown below.



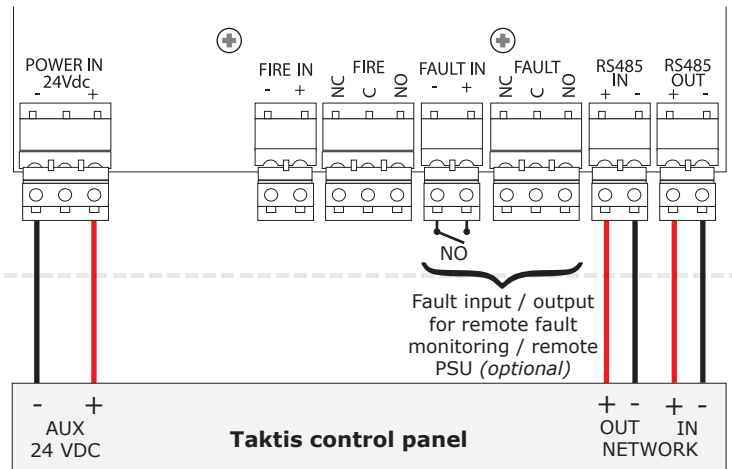
7 Aerial installation

- Refit the previously removed aerial fly lead connection.
- Fit the aerial to the BNC connection at the top of the unit and twist clockwise to secure into position.
- Fit the aerial anti-tamper shroud over the aerial.
- Secure the shroud, by tightening the two thumb nuts onto the bottom of the aerial shroud as shown.
- Note: If fitting a remote aerial to the RNC, replace the standard aerial shown.



8 Connection wiring

- Cables should only be passed via the access points available.
- Flame retardant cable glands should be used.
- DO NOT leave excess cable in the RNC.
- DO NOT earth the enclosure box.



- Once connections are made, apply power to the control panel.

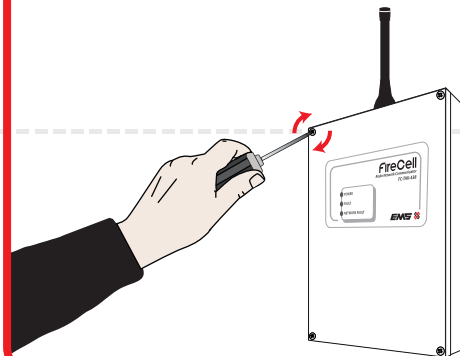
9 Configuration

- Programming is only necessary if the RNC, when powered displays 'Unprogrammed'.
- The RNC's programming is configured within the menu structure of the RNC.
- Refer to the 'RNC For Taktis Quick Start Guide' (MK282) for programming information. These details can also be found on the RNC lid.
- If the RNC is displaying a fault, re-check wiring then refer to the 'RNC For Taktis Programming Manual' (MK280) for full details. (Free to download from www.emsgroup.co.uk)



10 Close RNC

- Refit the RNC lid to complete the installation.



Specification

Operating temperature	-10 to 55 °C
Storage temperature	5 to 30 °C
Humidity	0 to 95% non-condensing
IP rating	IP54
Operating voltage	75 mA at 24 VDC
Operating frequency	458 MHz
Output transmitter power	500 mW
Dimensions (W x H x D)	156 x 228 x 48 mm
Weight	0.65 kg
Application	Indoor Use Only

Regulatory information

Manufacturer	Carrier Manufacturing Polska Sp. Z o.o. Ul. Kolejowa 24. 39-100 Ropczyce, Poland
Year of manufacture	See devices serial number label
Complies with	EN300-220 EN301-489 EN60950
European Union directives	EMS declares that device is in compliance with Directive 2014/53/EU. The full text of the EU declaration of conformity is available at the following internet address: www.emsgroup.co.uk



2012/19/EU (WEEE directive): Products marked with this symbol cannot be disposed of as unsorted municipal waste in the European Union. For proper recycling, return this product to your local supplier upon purchase of equivalent new equipment, or dispose of it at designated collection points. For more information see www.recyclethis.info