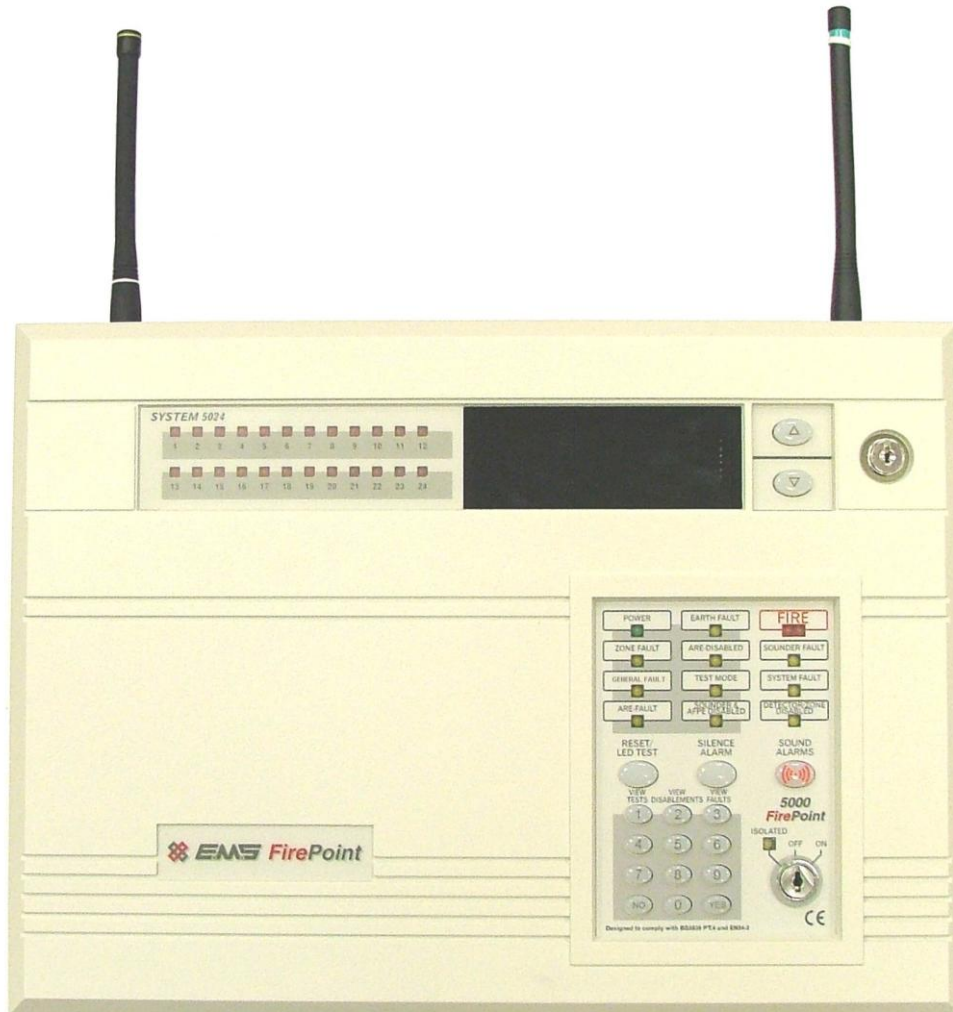




FirePoint

5000

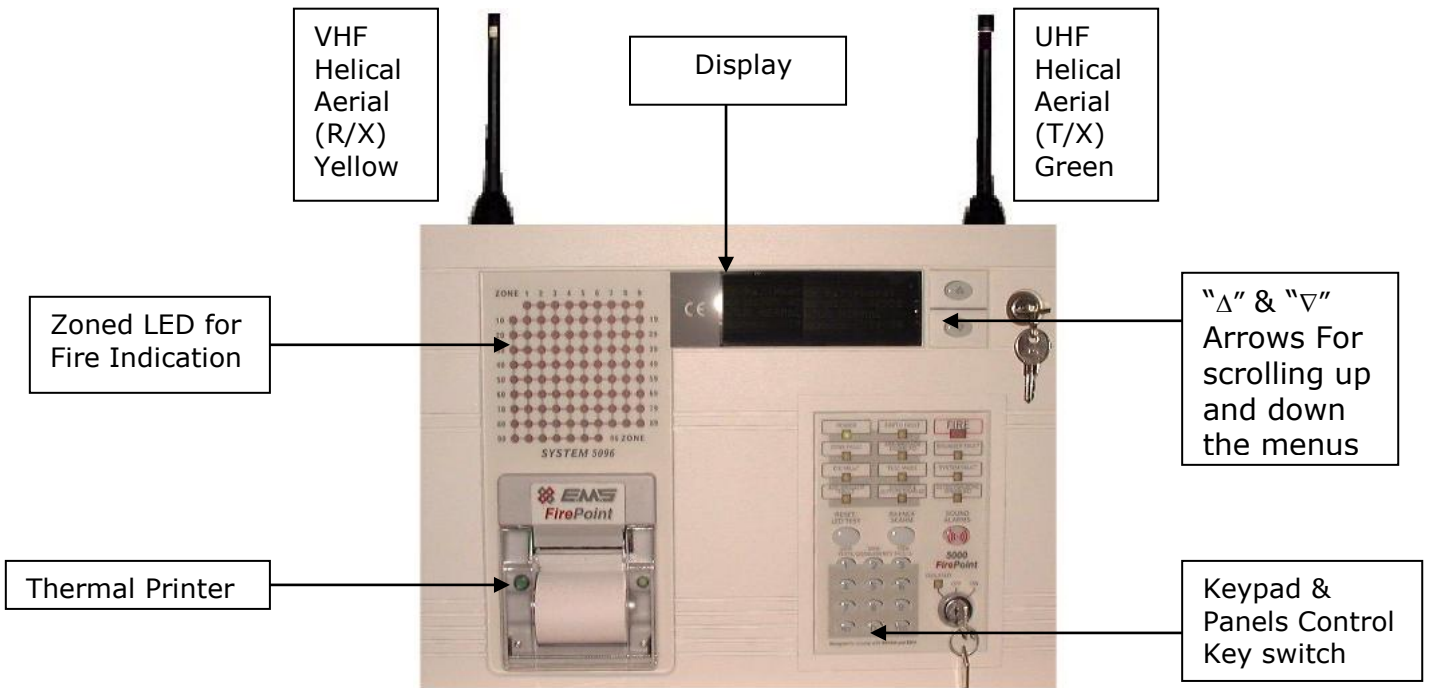


ENGINEERS OPERATING GUIDE

Table of Contents

Section	Page No
1. HOW TO RESET FIRE & FAULT EVENTS.....	5
2. HOW TO ENTER THE SYSTEM EVENT LOG	6
3. HOW TO ENTER THE SYSTEM EVENT LOG WITH FAULTS DISPLAYED	7
4. HOW TO DISABLE DEVICES	8
5. HOW TO RE-INSTATE DEVICES FROM DISABLEMENT	10
6. HOW TO DISABLE A DEVICE ACROSS A NETWORK SYSTEM	11
7. HOW TO RE-INSTATE A DISABLED DEVICE ACROSS A NETWORK	13
8. HOW TO LOG ON A DEVICE	15
9. HOW TO REMOVE A DEVICE.....	17
10. HOW TO REPLACE DEVICES	19
11. HOW TO PUT DETECTOR ZONES INTO TEST (TESTING DEVICES)	22
12. HOW TO TAKE DETECTOR ZONES OUT OF TEST	24
13. HOW TO PUT ALL THE ZONES INTO TEST ACROSS A NETWORK.....	25
14. HOW TO TAKE ALL THE ZONES OUT OF TEST ACROSS A NETWORK	27
15. HOW TO TEST INDIVIDUAL SOUNDERS	29
16. HOW TO CHANGE THE DEVICE ADDRESS TEXT DESCRIPTION	31
17. RECOMMENDED ADDITIONAL SOUNDER MONITORING	33
18. FAULT LIST	34
19. DO'S AND DON'TS	35

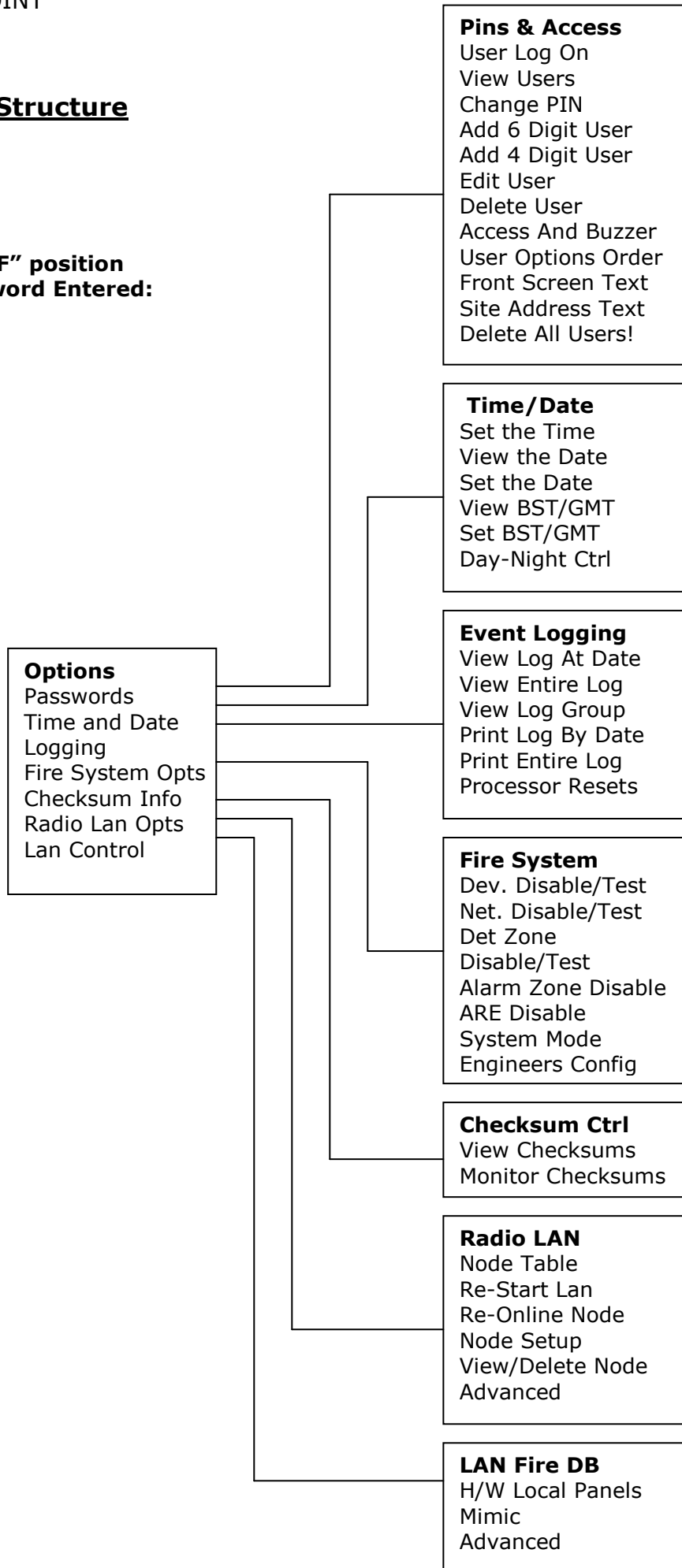
SYSTEM 5000



CONTROL PANELS ARE SUPPLIED WITH ALL DETECTOR ZONES IN TEST. PLEASE REFER TO SECTIONS 12 OR 14 IN THIS MANUAL TO MAKE ACTIVE.

Options Menu Structure

**Key in "OFF" position
with Password Entered:**



1. How To Reset Fire & Fault Events.

To reset fires/faults on the 5000 FirePoint, insert the Key into the Panel’s Control Key switch, located at the right of the Panel. Turn the Key to the “ON” Position.

Step No	Action	Screen Display
1	This a normal Fire Event	<div style="border: 1px solid black; padding: 5px;"> <p>01 FIRE ALARM TOT 01 RADIO CALLPOINT</p> <p>ZONE 01 DEVICE 005</p> </div>
2	Press the “SILENCE ALARMS” button and the screen will now briefly display: (Press Any Key). Having silenced the System’s Sounders and Internal Buzzers, an intermittent beep every 10 – 15 seconds will occur until reset.	<div style="border: 1px solid black; padding: 5px;"> <p>Alarms Silenced</p> <p>Push Any Key</p> </div>
3	Press the “RESET/LED TEST” button and the screen will now briefly display: (Press Any Key)	<div style="border: 1px solid black; padding: 5px;"> <p>Device RESET:</p> <p>RADIO CALLPOINT</p> <p>Push Any Key</p> </div>
4	The Event is now clear, so the key switch can be returned to the “OFF” position. The screen will now display:	<div style="border: 1px solid black; padding: 5px;"> <p>Status Normal</p> <p>Date Time</p> </div>

2. How To Enter The System Event Log

To enter the Systems Event Log on the 5000 FirePoint, insert the key into the Panels Control Key switch, located at the right of the panel. Turn the key to the "ON" position.

Step No	Action	Screen Display
1	With the key in the "ON" position, the screen will display:	<pre> Panel in Access Date Time </pre>
2	Press the "0" key and the screen will now display:	<pre> **Options** >Passwords < Time and Date Yes =Select Time </pre>
3	Press the "∇" key until the screen displays:	<pre> Time and Date >Logging < Fire System Opts YES = Select Time </pre>
4	Press the "YES" key and the screen will now display:	<pre> **Event Logging* >View Log At Date< View Entire Log Yes = Select Time </pre>
5	Press the "YES" key and the screen will now display:	<pre> Enter the date to View: / / Yes = Finish Time </pre>
6	Enter the required date to view in dd/mm/yy Format, (e.g.28/05/03) then press the "YES" key and the screen will now display:	<pre> ----- On 28/05/03 At 00:00 New Day of 28/05/03 Yes = Select Time </pre>

The log for the date selected can be viewed by using the "Δ" & "∇" Arrows next to the display, all fire and fault events are listed in date and time order. Using number 5 on the keypad will take you to the oldest event, number 8 on the keypad will take you to the latest event. (Look at the fault list for examples of descriptions that are in the log)

3. How To Enter The System Event Log With Faults Displayed

To enter the system event log on the 5000 FirePoint with faults displayed there are two ways.

The first way is to disable the devices that are in fault then enter the logging in the first menu. The second way is to enter the engineer’s menu main. To enter the engineer’s main menu insert the key into the Panels Control Key switch, located at the right of the Panel and turn it to the “ON” position.

Step No	Action	Screen Display
1	With the key in the “ON” position, the screen will display:	<pre> 01 FAULT TOT 03 Default Device 001 Zone 01 Device 001 </pre>
2	Press the “0” key and the screen will now display:	<pre> ** Fire system ** >Dev. Disable/Test < Net. Disable/Test Yes= Select Time </pre>
3	Press the “∇” key until the screen displays:	<pre> System Mode > Engineers Config < Printer Options Yes= Select Time </pre>
4	Press the “YES” key and the screen will now display:	<pre> Enter Your PIN For Access> Then Press YES Time </pre>
5	Press 221100 then press the “YES” key and the screen will display:	<pre> ** Eng. Config ** >Device Database < Sounder Options Yes= Select Time </pre>
6	Press Number 8 on the keypad and the screen will now display: (number is a quick move key that takes you to the bottom of the menu)	<pre> Reset System >Lan Options < ^^^^^^^^^^^^^^^ Yes= Select Time </pre>
7	Press the “Δ” key until the screen displays:	<pre> Reset Security >Reset System < Lan Options Yes= Select Time </pre>
8	Press the “YES” key followed by the “0” key on the keypad the screen will now display:	<pre> ** Main Menu ** >Pins & Access < System Support Yes= Select Time </pre>
9	Press the “∇” key until the screen displays:	<pre> Output Setup >Logging < Remote Rxers Yes= Select Time </pre>
10	Press the “YES” key and the screen will now display:	<pre> **Event Logging * >View Log At Date < View Entire Log Yes = Select Time </pre>

11	Press the "YES" key and the screen will now display:	<p>Enter the date to View: / /</p> <p>Yes = Finish</p>
12	Enter the required date to view in dd/mm/yy format, (e.g.28/05/03) then press the "YES" key and the screen will now display:	<p>-----</p> <p>On 28/05/03 At 00:00 New Day of 28/05/03 Yes = Select</p>

The log for the date selected can be viewed by using the "Δ" & "∇" Arrows next to the display, all fire and fault events are listed in date and time order. Using number 5 on the keypad will take you to the oldest event, number 8 on the keypad will take you to the latest event. (Look at the fault list for examples of descriptions that are in the log).

4. How To Disable Devices

To disable a device on the 5000 FirePoint, insert the key into the Panels Control Key switch, located at the right of the Panel. Turn the key to the "ON"

Step No	Action	Screen Display
1	With the key in the "ON" position, the screen will display:	<p>Panel in Access</p> <p>Date Time</p>
2	"0" key and the screen will now display:	<p> ***Options **** </p> <p>>Passwords <</p> <p> Time and Date </p> <p>Yes =Select Time</p>
3	Press the "∇" key until the screen displays:	<p> Logging </p> <p>>Fire System Opts<</p> <p> Remote Access </p> <p>Yes = select Time</p>
4	Press the "YES" key and the screen will now display:	<p> ** Fire system ** </p> <p>>Dev. Disable/Test<</p> <p> Net. Disable/Test </p> <p>Yes= Select Time</p>
5	Press the "YES" key and the screen will now display:	<p> ** Device Status * </p> <p>>Number is: 001 <</p> <p> Status is: ACTIVE </p> <p>Yes= Select Time</p>
6	Press the "0" key and the screen will now display:	<p>Enter Device (Number 1-256) Number > _ Yes = Finish Time _</p>
7	Enter the device number that you want to	<p> ** Device Status * </p> <p>>Number is: 125 <</p> <p> Status is: ACTIVE </p> <p>Yes= Select Time</p>

Disable (e.g. 125) then press the "YES" key and the Screen will now display:

8	Press the "▽" key until the screen displays:	<pre> Number is: 125 > Status is: ACTIVE< Zone is : 01 Yes= Select Time</pre>
9	Press the "YES" key and the screen will now display:	<pre> Number is: 125 >Status is :DISABLE< Zone is : 01 Yes= Select Time</pre>
10	Press the "NO" key three times and the screen will now display:	<pre>Panel in Access Date Time</pre>
11	Turn the Control key to the "OFF" position and the screen will now display:	<pre>Status Normal Date Time</pre>

Note: The "DETECTOR/ZONE DISABLED" LED on the 5000 FirePoint Panel will illuminate with an intermittent beep to show there's a Disabled device on the system.

5. How To Re-instate Devices From Disablement

To reactivate a device on the 5000 FirePoint, insert the key into the Panels Control Key switch, located at the right of the panel. Turn the key to the "ON" position.

Step No	Action	Screen Display
1	With the key in the "ON" position, the screen will display:	<pre> Panel in Access Date Time </pre>
2	Press the "0" key and the screen will now display:	<pre> ***Options **** >Passwords < Time and Date Yes =Select Time </pre>
3	Press the "∇" key until the Screen displays:	<pre> Logging >Fire System Opts < Remote Access Yes = select Time </pre>
4	Press the "YES" key and the screen will now display:	<pre> ** Fire system ** >Dev. Disable/Test < Net. Disable/Test Yes= Select Time </pre>
5	Press the "YES" key and the screen will now display:	<pre> ** Device Status * >Number is: 001 < Status is: ACTIVE Yes= Select Time </pre>
6	Press the "0" key and the screen will now display:	<pre> Enter Device (Number 1-256) Number > _ Yes = Finish Time </pre>
7	Enter the device number that you want to Re-enable (e.g. 125) then press the "YES" key and the Screen will now display:	<pre> ** Device Status * >Number is: 125 < Status is: DISABLE Yes= Select Time </pre>
8	Press the "∇" key once and the screen will display:	<pre> Number is: 125 >Status is: DISABLE< Zone is : 01 Yes= Select Time </pre>
9	Press the "YES" key twice and the screen will now display:	<pre> Number is: 125 >Status is: ACTIVE < Zone is : 01 Yes= Select Time </pre>
10	Press the "NO" key three times and the screen will now display:	<pre> Panel in Access Date Time </pre>
11	Return the Control key to the "OFF" position and the screen will now display:	<pre> Status Normal Date Time </pre>

Note: The “DETECTOR/ZONE DISABLED” LED on the 5000 FirePoint Panel will clear and the Disable beep will stop.

6. How To Disable A Device Across A Network System

To disable a device across the network on the 5000 FirePoint, insert the key into the Panels Control Key switch, located at the right of the panel.

Step No	Action	Screen Display
1	With the key in the “ON” position, the screen will display:	<pre> Panel in Access Date Time </pre>
2	Press the “0” key and the screen will now display:	<pre> ***Options **** >Passwords < Time and Date Yes =Select Time </pre>
3	Press the “∇” key until the screen displays:	<pre> Logging >Fire System Opts < Remote Access Yes = select Time </pre>
4	Press the “YES” key and the screen will now display:	<pre> ** Fire system ** > Dev. Disable/Test< Net. Disable/Test Yes= Select Time </pre>
5	Press the “∇” key once and the screen will display:	<pre> Dev. Disable/Test >Net. Disable/Test < Det Zone Dis/Test Yes= Select Time </pre>
6	Press the “YES” key and the screen will now display: (move on to step 8 if H/W)	<pre> * Network Status * > Panel Type : PAN < Panel : 00 Yes= Select Time </pre>
7	Press the “YES” key once the Screen will now display:	<pre> * Network Status * > Panel Type : NET < Panel : 00 Yes= Select Time </pre>
<p>NOTE: PAN is for a Hardwired based System. NET is for a Radio LAN based system.</p>		
8	Press the “∇” key once and the screen will display:	<pre> Panel Type : PAN > Panel : 00 < Device : 00 Yes= Select Time </pre>
9	Press the “YES” key to change the panel number until the required panel number is shown: (e.g. 04)	<pre> Panel Type : NET > Panel : 04 < Device : 00 Yes= Select Time </pre>
10	Press the “∇” key once and the screen will display:	<pre> Panel : 04 > Device : 00 < Status : Active Yes= Select Time </pre>

11	Press the "0" key and the screen will now display:	<pre> Enter Device (Number 1-256) Number > _ Yes = Finish Time </pre>
12	Enter the device number that you want to Disable (e.g. 125) then press the "YES" key and screen will now display:	<pre> Panel : 04 >Device : 125 < Status : Active Yes= Select Time </pre>
13	Press the "∇" key once and the screen will display:	<pre> Device : 125 > Status : Active < Transmit Event Yes= Select Time </pre>
14	Press the "YES" key once the screen will now display:	<pre> Device : 125 >Status : Disable< Transmit Event Yes= Select Time </pre>
15	Press the "∇" key once and the screen will display:	<pre> Status : Disable >Transmit Event < ^^^^^^^^^^^^^^^^^ Yes= Select Time </pre>
16	Press the "YES" key once the Screen will now display:	<pre> Device 125 on NET 04 Set to DISABLED Push Any Key Time </pre>
17	Press the "NO" key three times and the screen will display:	<pre> Panel in Access Date Time </pre>
18	Turn the Control key to the "OFF" Position. The screen will now display:	<pre> Status Normal Date Time </pre>

Note: The "DETECTOR/ZONE DISABLED" LED on the 5000 FirePoint Master Panel and the 5000 FirePoint Slave Panel 04 will illuminate with intermittent beep to show there's a disablement on the system.

7. How To Re-instate a Disabled Device Across a Network

To re-instate a Disabled a device across the network on the 5000 FirePoint, insert the key into the Panels Control Key switch, located at the right of the panel.

Step No	Action	Screen Display
1	With the key in the "ON" position, the screen will display:	<pre> Panel in Access Date Time </pre>
2	Press the "0" key and the screen will now display:	<pre> ***Options **** >Passwords < Time and Date Yes =Select Time </pre>
3	Press the "∇" key until the screen displays:	<pre> Logging >Fire System Opts < Remote Access Yes = select Time </pre>
4	Press the "YES" key and the screen will now display:	<pre> ** Fire system ** >Dev. Disable/Test < Net. Disable/Test Yes= Select Time </pre>
5	Press the "∇" key until the screen displays:	<pre> Dev. Disable/Test >Net. Disable /Test < Det Zone Dis/Test Yes= Select Time </pre>
6	Press the "YES" key and the screen will now display:	<pre> * Network Status * >Panel Type : PAN < Panel : 00 Yes= Select Time </pre>
<p>NOTE: PAN is for a Hardwired based System. (Go to step 7). NET is for a Radio LAN based system. (Go to step 8).</p>		
7	Press the "YES" key to select the required panel type and the Screen will now display:	<pre> * Network Status * > Panel Type: NET< Panel : 00 Yes= Select Time </pre>
8	Press the "∇" key until the screen will display: (Where Panel type = NET/PAN)	<pre> Panel Type : NET >Panel : 00 < Device : 00 Yes= Select Time </pre>
9	Press the "YES" key to change the panel number until the required panel number is shown: (e.g. 04)	<pre> Panel Type : NET >Panel : 04 < Device : 00 Yes= Select Time </pre>
10	Press the "∇" key until the screen displays:	<pre> Panel : 04 >Device : 00 < Status :Disable Yes= Select Time </pre>

11	Press the "0" key and the screen will now display:	<pre> Enter Device (Number 1-256) Number > _ Yes = Finish Time _ </pre>
12	Enter the device number that you want to re-instate (e.g. 125) then press the "YES" key and screen will now display:	<pre> Panel : 04 > Device : 125 < Status :Disable Yes= Select Time </pre>
13	Press the "∇" key until the screen displays:	<pre> Device : 125 > Status :Disable < Transmit Event Yes= Select Time </pre>
14	Press the "YES" key once the Screen will now display:	<pre> Device : 125 > Status : Active < Transmit Event Yes= Select Time </pre>
15	Press the "∇" key until the screen displays:	<pre> Status : Active >Transmit Event < ^^^^^^^^^^^^^^^^^ Yes= Select Time </pre>
16	Press the "YES" key once the Screen will now display:	<pre> Device 125 on NET 04 Set to ACTIVE Push Any Key Time </pre>
17	Press the "NO" key until the screen displays:	<pre> Panel in Access Date Time </pre>
18	Turn the Control key to the "OFF" Position. The screen will now display:	<pre> Status Normal Date Time </pre>

Note: The "DETECTOR/ZONE DISABLED" LED on the 5000 FirePoint Master Panel and System 5000 Slave Panel will clear and the Disable beep will stop.

8. How To Log On A Device

To log on a device onto the 5000 FirePoint, take the device in front of the panel. Insert the key into the Panels Control Key switch, located at the right of the Panel.

Step No	Action	Screen Display
1	With the key in the "ON" position, the screen will display:	<div style="border: 1px solid black; padding: 5px; background-color: #e0ffe0;"> <p style="text-align: center;">Panel in Access</p> <p style="text-align: center;">Date Time</p> </div>
2	Press the "0" key and the screen will now display:	<div style="border: 1px solid black; padding: 5px; background-color: #e0ffe0;"> <p style="text-align: center;"> ***Options *** * </p> <p style="text-align: center;">> Passwords <</p> <p style="text-align: center;"> Time and Date </p> <p style="text-align: center;">Yes =Select Time</p> </div>
3	Press the "∇" key until the screen displays:	<div style="border: 1px solid black; padding: 5px; background-color: #e0ffe0;"> <p style="text-align: center;"> Logging </p> <p style="text-align: center;">> Fire System Opts <</p> <p style="text-align: center;"> Remote Access </p> <p style="text-align: center;">Yes = select Time</p> </div>
4	Press the "YES" key and the screen will now display:	<div style="border: 1px solid black; padding: 5px; background-color: #e0ffe0;"> <p style="text-align: center;"> ** Fire system ** </p> <p style="text-align: center;">> Dev. Disable /Test<</p> <p style="text-align: center;"> Net. Disable /Test </p> <p style="text-align: center;">Yes= Select Time</p> </div>
5	Press the "∇" key until the screen displays:	<div style="border: 1px solid black; padding: 5px; background-color: #e0ffe0;"> <p style="text-align: center;"> System Mode </p> <p style="text-align: center;">>Engineers Config <</p> <p style="text-align: center;"> Printer Options </p> <p style="text-align: center;">Yes= Select Time</p> </div>
6	Press the "YES" key and the screen will now display:	<div style="border: 1px solid black; padding: 5px; background-color: #e0ffe0;"> <p style="text-align: center;">Enter Your PIN For Access> Then Press YES</p> <p style="text-align: right;">Time</p> </div>
7	Press 221100 then press the "YES" key and the screen will display:	<div style="border: 1px solid black; padding: 5px; background-color: #e0ffe0;"> <p style="text-align: center;"> ** Eng.; Config ** </p> <p style="text-align: center;">> Device Database <</p> <p style="text-align: center;"> Sounder Options </p> <p style="text-align: center;">Yes= Select Time</p> </div>
8	Press the "∇" key until the screen displays:	<div style="border: 1px solid black; padding: 5px; background-color: #e0ffe0;"> <p style="text-align: center;"> Sounder Options </p> <p style="text-align: center;">> Log On Devices <</p> <p style="text-align: center;"> Site Survey </p> <p style="text-align: center;">Yes= Select Time</p> </div>
9	Press the "YES" key and the screen will now display:	<div style="border: 1px solid black; padding: 5px; background-color: #e0ffe0;"> <p style="text-align: center;">Logon DISABLED(000) Push YES to change Push NO to escape Push YES/NO Time</p> </div>
10	Press the "YES" key to change and the screen will now display:	<div style="border: 1px solid black; padding: 5px; background-color: #e0ffe0;"> <p style="text-align: center;"> **Logon Options** </p> <p style="text-align: center;">> Logon Slot :AUTO<</p> <p style="text-align: center;"> Slot is :FREE </p> <p style="text-align: center;">Yes= Select Time</p> </div>
		<div style="border: 1px solid black; padding: 5px; background-color: #e0ffe0;"> <p style="text-align: center;">Enter Device (Numbers 1-256) Number></p> <p style="text-align: right;">Yes= Finish Time</p> </div>

11 Press the "0" key and the screen will now display:

12 Enter the slot number that you want to add a device to (e.g. 125) then press the "YES" key and the Screen will now display:

```
| **Logon Options** |
> Logon Slot :125 <
| Slot is :FREE |
Yes= Select Time
```

13 Press the "∇" key until the screen displays:

```
| Slot is :IN USE |
>Logon is DISABLED<
| /\\\\\\\\\\\\\\\\ |
```

14 Press the "YES" key and the screen will now display:

```
| Slot is :IN USE |
>Logon is ENABLED <
| /\\\\\\\\\\\\\\\\ |
```

15 Take the device you want to log on. Press and hold the logon button for 2-3 seconds (e.g. Figure 1) and the screen will now display:

```
Logon Default Device
125

Yes= Select Time
```

```
Added Default Device
125

Yes= Select Time
```

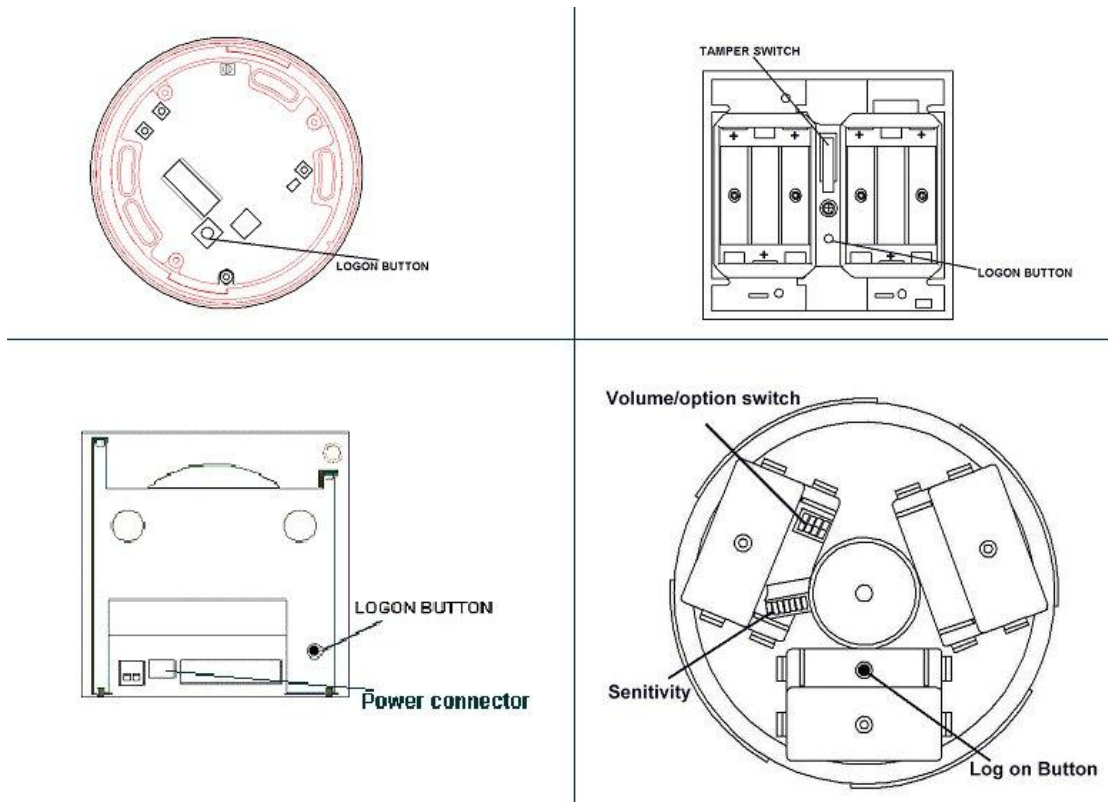


Figure 1

16 Press the "YES" key twice and the screen will now display:

```
| Slot is      :IN USE |
>Logon is DISABLED<
| /VVVVVVVVVV \ |
```

17 Press the "NO" key three times and the screen will now display:

```
01 FAULT   TOT 02
Default Device 125

ZONE 01 DEVICE 125
```

Note: After logging the device on to the system there will be two faults:-
1st fault is processor reset. (Silence and reset E.G. Page 5)
2nd fault is the Tamper. (Make sure the device tamper is clear then silence and reset E.G. page 5)

18 After the faults have been cleared, turn the control key to the "OFF" position and the screen will display:

```
Status Normal

Date           Time
```

9. How To Remove A Device

To remove a device from the 5000 FirePoint, insert the key into the Panels Control Key switch, located at the right of the panel.

Step No	Action	Screen Display
1	With the key in the "ON" position, the screen will display:	<pre>Panel in Access Date Time</pre>
2	Press the "0" key and the screen will now display:	<pre> ***Options *** >Passwords < Time and Date Yes =Select Time</pre>
3	Press the "∇" key until the screen displays:	<pre> Logging > Fire System Opts < Remote Access Yes = select Time</pre>
4	Press the "YES" key and the screen will now display:	<pre> ** Fire system ** > Dev. Disable/Test < Net. Disable/Test Yes= Select Time</pre>
5	Press the "∇" key until the screen displays:	<pre> System Mode > Engineers Config < Printer Options Yes= Select Time</pre>
		<pre>Enter Your PIN For Access> Then Press YES Time</pre>

6 Press the "YES" key and the screen will now display:

7 Press 221100 then press the "YES" key and the screen will display:

```

|** Eng.; Config ** |
>Device Database <
| Sounder Options |
Yes= Select Time
    
```

8 Press the "▽" key until the screen displays:

```

| Site Survey |
> Remove Devices <
| Panel Hardware |
Yes= Select Time
    
```

9 Press the "YES" key and the screen will now display:

```

Enter Device
(Numbers 1-256)
Number > _
YES = Finish Time
    
```

10 Enter the device number you want to delete (e.g. 005) and press the "YES" the screen will now display:

```

Device 5 Deleted
Press Any Key Time
    
```

11 Press ANY key and the screen will display:

```

| Site Survey |
>Remove Devices <
| Panel Hardware |
Yes= Select Time
    
```

12 Press the "NO" key three times and the screen will now display:

```

Panel in Access
Date Time
    
```

13 Turn the control key to the "OFF" Position. The screen will now display:

```

Status Normal
Date Time
    
```

10. How To Replace Devices

To replace a device onto the 5000 FirePoint, take the new device in front of the panel. Insert the key into the Panels Control Key switch, located at the right of the panel.

Step No	Action	Screen Display
1	With the key in the "ON" position, the screen will display:	<pre> Panel in Access Date Time </pre>
2	Press the "0" key and the screen will now display:	<pre> ***Options **** > Passwords < Time and Date Yes =Select Time </pre>
3	Press the "∇" key until the screen displays:	<pre> Logging > Fire System Opts < Remote Access Yes = select Time </pre>
4	Press the "YES" key and the screen will now display:	<pre> ** Fire system * * > Dev. Disable/Test < Net. Disable/Test Yes= Select Time </pre>
5	Press the "∇" key until the screen displays:	<pre> System Mode > Engineers Config < Printer Options Yes= Select Time </pre>
6	Press the "YES" key and the screen will now display:	<pre> Enter Your PIN For Access> Then Press YES Time </pre>
7	Press 221100 then press the "YES" key and the screen will display:	<pre> ** Eng.; Config ** > Device Database < Sounder Options Yes= Select Time </pre>
8	Press the "∇" key until the screen displays:	<pre> Sounder Options > Log On Devices < Site Survey Yes= Select Time </pre>
9	Press the "YES" key and the screen will now display:	<pre> Logon DISABLED(000) Push YES to change Push NO to escape Push YES/NO Time </pre>
10	Press the "YES" key to change and the screen will now display:	<pre> **Logon Options** > Logon Slot :AUTO< Slot is :FREE Yes= Select Time </pre>

11	Press the "0" key and the screen will now display:	<pre>Enter Device (Numbers 1-256) Number> Yes= Finish Time</pre>
12	Enter the slot number that you want to add a device to (e.g. 125) then press "YES" key and the Screen will now display:	<pre>** Logon Options** >Logon Slot :125 < Slot is :FREE Yes= Select Time</pre>
13	Press the "∇" key until the screen displays:	<pre> Slot is :IN USE >Logon is DISABLED< ^^^^^^^^^^ \ </pre>
14	Press the "YES" key twice and the screen will now display:	<pre> Slot is :IN USE >Logon is REPLACE < ^^^^^^^^^^ \ </pre>
15	Take the device you want to log on. Press and hold the logon button for 2-3 seconds (e.g. Figure 2) and the screen will now display:	<pre>Logon Default Device 125 Yes= Select Time</pre> <pre>Added Default Device 125 Yes= Select Time</pre>

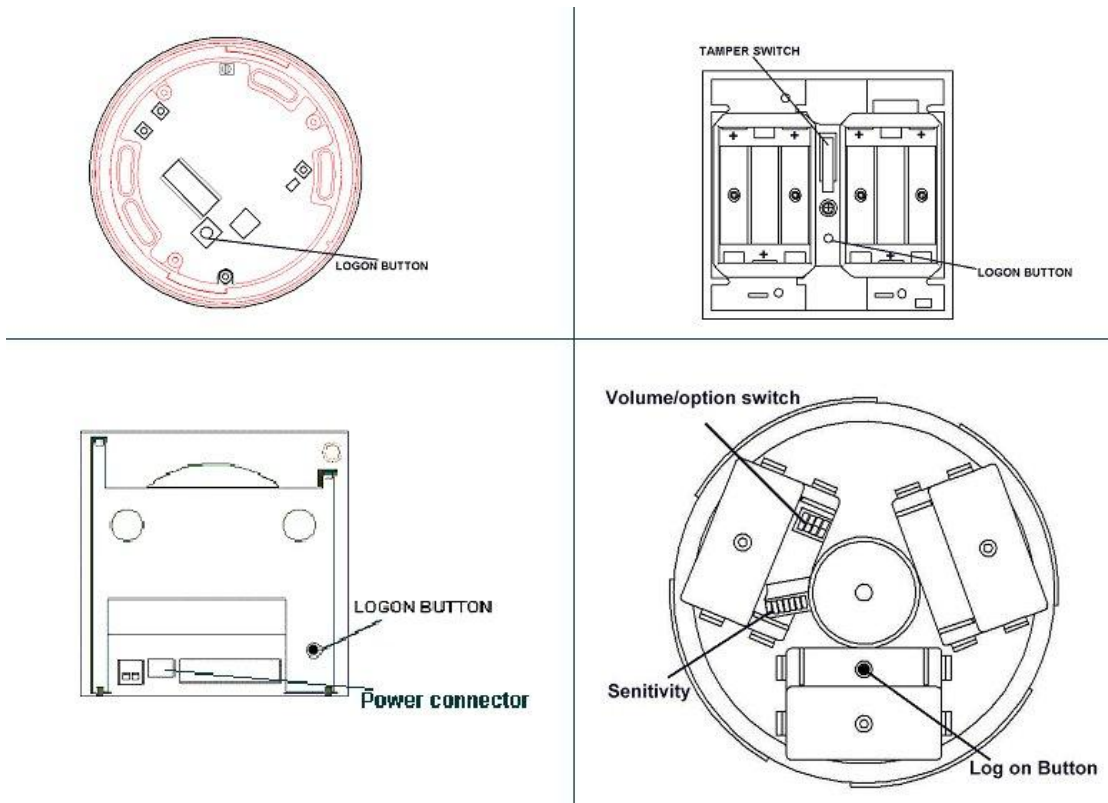


Figure 2

16 Press the "YES" key once and the screen will now display:

```
| Slot is :IN USE |
>Logon is DISABLED<
| /\/\/\/\/\/\ |
```

17 Press the "NO" key three times and the screen will now display:

```
01 FAULT TOT 02
Default Device 125

ZONE 01 DEVICE 125
```

**Note: After logging the device on to the system there will be two faults: -
 1st fault is processor reset. (Silence and reset E.G. Page 3)
 2nd fault is the Tamper. (Make sure the device tamper is clear then silence and reset E.G. page 3)**

18 After the faults have been cleared turn the control key to the "OFF" position. The screen will display:

```
Status Normal

Date Time
```

11. How To Put Detector Zones Into Test (Testing Devices)

To put zones into test for the 5000 FirePoint, insert the key into the Panels Control Key switch, located at the right of the panel. Turn the key to the "ON" position.

Step No	Action	Screen Display
1	With the key in the "ON" position, the screen will display:	<pre> Panel in Access Date Time </pre>
2	Press the "0" key and the screen will now display:	<pre> ***Options **** > Passwords < Time and Date Yes =Select Time </pre>
3	Press the "YES" key and the screen will now display:	<pre> *PIN's and ACCESS* >User Log ON < View Users Yes =Select Time </pre>
4	Press the "YES" key and the screen will now display:	<pre> Enter Your PIN To Log On > _ Then Press YES Time </pre>
5	Enter 221100 and press the "YES" key and the screen will now display:	<pre> ***** Welcome Engineer * ***** Push Any Key Time </pre>
6	Press Any key and the screen will now display:	<pre> Logging > Fire System Opts < Remote Access Yes= Select Time </pre>
7	Press the "∇" key until the screen displays:	<pre> ***Options **** > Passwords < Time and Date Yes =Select Time </pre>
8	Press the "YES" key and the screen will now display:	<pre> ** Fire system ** > Dev. Disable/Test< Net. Disable/Test Yes= Select Time </pre>
9	Press the "∇" key until the screen displays:	<pre> Net. Disable/Test > Det Zone. Dis/Test < Alarm Zone Disable Yes= Select Time </pre>
10	Press the "YES" key and the screen will now display:	<pre> ** Zone Status ** > Zone is: 01 < Status : ACTIVE Yes= Select Time </pre>

- | | | |
|----|---|---|
| 11 | Press the "∇" key and the screen will now display: (Make note of the status the zones is in e.g. ACTIVE, the status will need to be changed back Later) | <pre> Zone is : 01 > Status : ACTIVE < ^^^^^^^^^^^^^^^^^ Yes= Select Time</pre> |
| 12 | Press the "YES" key twice and the screen will now display: (notice as the "YES" key is pressed the status changes) | <pre> Zone is : 01 > Status : Test < ^^^^^^^^^^^^^^^^^ Yes= Select Time</pre> |
| 13 | Press the "Δ" key until the screen displays: | <pre> ** Zone Status ** > Zone is: 01 < Status : Test Yes= Select Time</pre> |
| 14 | Press the "YES" key and the screen will now display: | <pre> ** Zone Status ** > Zone is: 02 < Status : ACTIVE Yes= Select Time</pre> |
| 15 | Press the "∇" key until the screen displays: | <pre> Zone is : 02 > Status : ACTIVE < ^^^^^^^^^^^^^^^^^ Yes= Select Time</pre> |
| 16 | Press the "YES" key and the screen will now display: (notice as the "YES" key is pressed the status changes) | <pre> Zone is : 02 > Status : Test < ^^^^^^^^^^^^^^^^^ Yes= Select Time</pre> |

This needs to be repeated until all the Detector Zones are in test, then continue to step 18

- | | | |
|----|--|---|
| 17 | Press the "NO" key three times and the screen will now display: | <pre>Panel in Access Date Time</pre> |
| 18 | Turn the control key to the "OFF" position. The screen will now display: | <pre>Status Normal Date Time</pre> |

The devices are now ready to be activated, this includes smoking detectors and triggering call points. When a device is activated the 5000 FirePoint will go into fire, the display will show TEST ALARM and display the device number and text description. The Sounders/Relays will not activate.

NOTE: When smoking detectors their LEDs stay on for 20 minutes.

NOTE: For multi panel installations all zones on ALL panels must be put into test before testing is started.

12. How To Take Detector Zones Out Of Test

To take zones out of test and back into original state i.e. all on the 5000 FirePoint, insert the key into the Panels Control Key switch, located at the right of the Panel. Turn the key to the "ON" Position.

Step No	Action	Screen Display
1	With the key in the "ON" position, the screen will display:	<pre> Panel in Access Date Time </pre>
2	Press the "0" key and the screen will now display:	<pre> ***Options **** > Passwords < Time and Date Yes =Select Time </pre>
3	Press the "∇" key until the screen displays:	<pre> Logging >Fire System Opts < Remote Access Yes= Select Time </pre>
4	Press the "YES" key and the screen will now display:	<pre> ** Fire system ** > Dev. Disable/Test< Net. Disable/Test Yes= Select Time </pre>
5	Press the "∇" key until the screen displays:	<pre> Net. Disable/Test >Det Zone. Dis/Test < Brigade Isolate Yes= Select Time </pre>
6	Press the "YES" key and the screen will now display:	<pre> ** Zone Status ** > Zone is: 01 < Status : Test Yes= Select Time </pre>
7	Press the "∇" key once and the screen will now display:	<pre> Zone is : 01 > Status : Test < ^^^^^^^^^^^^^^^ Yes= Select Time </pre>
8	Press the "YES" key twice and the screen will display: (This puts the status back to ACTIVE)	<pre> Zone is : 01 > Status : ACTIVE< ^^^^^^^^^^^^^^^ Yes= Select Time </pre>
9	Press the "Δ" key once and the screen will now display:	<pre> ** Zone Status ** > Zone is: 01 < Status : ACTIVE Yes= Select Time </pre>
10	Press the "YES" key and the screen will now display:	<pre> ** Zone Status ** > Zone is: 02 < Status : Test Yes= Select Time </pre>

11 Press the "∇" key once and the screen will now display:

```
| Zone is : 02 |
> Status : Test <
| ^^^^^^^^^^^^^^^^^ |
Yes= Select Time
```

12 Press the "YES" key twice and the screen will now display: (notice as the "YES" key is pressed the status changes)

```
| Zone is : 02 |
> Status : ACTIVE<
| ^^^^^^^^^^^^^^^^^ |
Yes= Select Time
```

This needs to be repeated until all the zones are set back to all, then continue to step 18.

13 Press the "NO" key three times and the screen will now display:

```
Panel in Access
Date Time
```

14 Turn the control key to the "OFF" position and the screen will display:

```
Status Normal
Date Time
```

13. How To Put All The Zones Into Test Across A Network

How to put all the zones in to test across a Network (depending on which version of software) on the 5000 FirePoint, insert the key into the Panels Control Key switch, located at the right of the panel.

Step No	Action	Screen Display
1	With the key in the "ON" position, the screen will display:	<pre>Panel in Access Date Time</pre>
2	Press the "0" key and the screen will now display:	<pre> ***Options **** > Passwords < Time and Date Yes = Select</pre>
3	Press the "∇" key three times and press the "YES" key and the screen will now display:	<pre> ** Fire system ** > Dev. Disable/Test< Net. Disable/Test Yes= Select Time</pre>
4	Press the "∇" key until the screen displays:	<pre> System Mode > Engineers Config < Printer Options Yes= Select Time</pre>
5	Press the "YES" key and the screen will now display:	<pre>Enter Your PIN For Access> Then Press YES Time</pre>
6	Press 221100 then press the "YES" key and the screen will display:	<pre> ** Eng. Config ** > Device Database < Sounder Options Yes= Select Time</pre>

7	Press Number 8 on the keypad and the screen will now display: (number is a quick move key that take you to the bottom of the menu)	<pre> Reset System > Lan Options < ^^^^^^^^^^^^^^^^ Yes= Select Time</pre>
8	Press the "Δ" key once and the screen will now display:	<pre> Reset Security > Reset System < Lan Options Yes= Select Time</pre>
9	Press the "YES" key followed "0" key on the Keypad the screen will now display:	<pre> ** Main Menu ** > Pins & Access < System Support Yes= Select Time</pre>
10	Press Number 8 on the keypad and the screen will now display: (number is a quick move key that take you to the bottom of the menu)	<pre> Radio Lan > Fire DB < ^^^^^^^^^^^^^^^ Yes= Select Time</pre>
11	Press the "YES" key and the screen will now display:	<pre> ** Lan Fire DB ** > H/W Local Panels < Mimic Yes= Select Time</pre>
12	Press the "∇" key until the screen displays:	<pre> Mimic > Advanced < ^^^^^^^^^^^^^^^ Yes= Select Time</pre>
13	Press the "YES" key and the screen will now display:	<pre> *** Advanced *** > Get Slave Bus Lsts < ^^^^^^^^^^^^^^^^ Yes= Select Time</pre>
14	Press the "∇" key until the screen displays:	<pre> Local Mimic > Set Det.Zones < Announce All Clear Yes= Select Time</pre>
15	Press the "YES" key and the screen will now display:	<pre> * Set All Zones * > ACTIVE < TEST Yes= Select Time</pre>
16	Press the "∇" key and the screen will display:	<pre> ACTIVE > TEST < DISABLED Yes= Select Time</pre>
17	Press the "YES" key, the screen will stay the same but the test LED will start flashing to show that all the zones are in test.	<pre> ACTIVE > TEST < DISABLED Yes= Select Time</pre>

NOTE: Check the other panels to make sure the "TEST MODE" LED is flashing to ensure no Sounders/Relays will activate.

14. How To Take All The Zones Out Of Test Across A Network

How to take all the zones out of test across a network (depending on which version of software) on the 5000 FirePoint, insert the key into the Panels Control Key switch, located at the right of the panel.

Step No	Action	Screen Display
1	With the key in the "ON" position, the screen will display:	<pre> Panel in Access Date Time </pre>
2	Press the "0" key and the screen will now display:	<pre> ***Options *** >Passwords < Time and Date Yes =Select Time </pre>
3	Press the "∇" key 3 times and press the "YES" key and the screen will now display:	<pre> ** Fire system ** >Dev. Disable/Test < Net. Disable/Test Yes= Select Time </pre>
4	Press the "∇" key until the screen displays:	<pre> System Mode >Engineers Config < Printer Options Yes= Select Time </pre>
5	Press the "YES" key and the screen will now display:	<pre> Enter Your PIN For Access> Then Press YES Time </pre>
6	Press 221100 then press the "YES" key and the screen will display:	<pre> ** Eng.; Config ** > Device Database < Sounder Options Yes= Select Time </pre>
7	Press Number 8 on the keypad and the screen will now display: (number is a quick move key that take you to the bottom of the menu)	<pre> Reset System >Lan Options < ^^^^^^^^^^^^^^^^^ Yes= Select Time </pre>
8	Press the "Δ" key once and the screen will now display:	<pre> Reset Security > Reset System < Lan Options Yes= Select Time </pre>
9	Press the "YES" key followed "0" key on the keypad the screen will now display:	<pre> ** Main Menu ** > Pins & Access < System Support Yes= Select Time </pre>
10	Press Number 8 on the keypad and the screen will now display: (number is a quick move key that take you to the bottom of the menu)	<pre> Radio Lan > Fire DB < ^^^^^^^^^^^^^^^^^ Yes= Select Time </pre>

11	Press the "YES" key and the screen will now display:	<pre> ** Lan Fire DB ** >H/W Local Panels < Mimic Yes= Select Time </pre>
12	Press the "∇" key until the screen displays:	<pre> Mimic >Advanced < ^^^^^^^^^^^^^^^^^ Yes= Select Time </pre>
13	Press the "YES" key and the screen will now display:	<pre> *** Advanced *** > Get Slave Bus Lsts < ^^^^^^^^^^^^^^^^^ Yes= Select Time </pre>
14	Press the "∇" key until the screen displays:	<pre> Local Mimic > Set Det.Zones < Announce All Clear Yes= Select Time </pre>
15	Press the "YES" key and the screen will now display:	<pre> *Set All Zones * >ACTIVE < TEST Yes= Select Time </pre>
16	Press the "YES" key, the screen will stay the same but the Test Mode LED extinguish to show that all the zones are now active.	<pre> *Set All Zones * >ACTIVE < TEST Yes= Select Time </pre>

NOTE: Check the other panels to make sure the "TEST MODE" LED has stopped flashing to ensure Sounders/Relays are ready to activate.

15. How To Test Individual Sounders

To test individual sounders on the 5000 FirePoint, Insert the key into the Panels Control Key switch, Located at the right of the panel.

Step No	Action	Screen Display
1	With the key in the "ON" position, the screen will display:	<pre> Panel in Access Date Time </pre>
2	Press the "0" key and the screen will now display:	<pre> **Options**** >Passwords < Time and Date Yes =Select Time </pre>
3	Press the "∇" key until the screen displays:	<pre> Logging > Fire System Opts < Remote Access Yes = select Time </pre>
4	Press the "YES" key and the screen will now display:	<pre> ** Fire system ** > Dev. Disable/Test < Net. Disable/Test Yes= Select Time </pre>
5	Press the "∇" key until the screen displays:	<pre> System Mode > Engineers Config < Printer Options Yes= Select Time </pre>
6	Press the "YES" key and the screen will now display:	<pre> Enter Your PIN For Access> Then Press YES Time </pre>
7	Press 221100 then press the "YES" key and the screen will display:	<pre> ** Eng.; Config ** > Device Database < Sounder Options Yes= Select Time </pre>
8	Press the "∇" key once and the screen will display:	<pre> Device Database >Sounder Options < Log On Devices Yes= Select Time </pre>
9	Press the "YES" key twice and the screen will now display: (the first press of Yes enters you into the sounder options menu the second press of Yes does a configure stop)	<pre> Sounder Config > Configure STOP < Configure START Yes= Select Time </pre>
10	Press the "∇" key until the screen displays:	<pre> Configure START >Configure ONE < ^^^^^^^^^^^^^^^^^ Yes= Select Time </pre>

11	Press the "YES" key and the screen will now display:	<pre> ** Configure ** >Sounder : ALLCFGD< Action : EVAC Yes= Select Time </pre>
12	Press the "YES" key to toggle though the device numbers until you get to the sounder that requires testing. (e.g. 025)	<pre> ** Configure ** >Sounder : 025 < Action : EVAC Yes= Select Time </pre>
13	Press the "∇" key once and the screen will display:	<pre> Sounder : 025 >Action : EVAC < Do Action Yes= Select Time </pre>
14	Press the "YES" key to toggle though the different types of action commands. (E.g. press the "YES" key seven times takes you to test)	<pre> Sounder : 025 >Action : TEST < Do Action Yes= Select Time </pre>

There are 11 different types of actions: -

- a EVAC:** The selected sounder will activate with the evac tone.
- b ALERT** The selected sounder will activate with the warning tone.
- C BOMB** The selected sounder will activate with the bomb tone.
- D LESS CHNG** The selected sounder will do a set of lesson change beeps.
- E AUX ON** Not Used.
- ALL OFF** The selected sounder will stop sounding. (I.e. Silence).
- G RX TEST** The receiver in the selected sounder will be sent a test message, the sounder will receive the message and send an acknowledgement message back to the 5000 panel.
- H TEST** The selected sounder will sound for four seconds and then turn off. The sounder will listen to it self and send an acknowledgement message back to the 5000 panel.
- I SET SYS** The 5000 panel will send a message to the selected sounder, which sets the system code in the selected sounder. The sounder then sends an acknowledgement message back to the 5000 panel.
- J JOIN GRP** The 5000 panel will send the zone information to the selected sounder, the selected sounder sends an acknowledgement back to the 5000 panel.
- K SET LS CH** The 5000 panel will send a message to the selected sounder which enables the lesson change, feature for the device.

```

| Action : TEST |
>Do Action <
| ^^^^^^^^^^^^^ |
Yes= Select      Time
                    
```

15 Press the "∇" key once and the screen will display:

16 Press the "YES" key and the screen will now display:

```
Device 025 Timer 9
Retry 07 REPLY NONE

Push Any Key Time
```

This timer will count down to 0, when the timer reaches 0 the retry should change to 6 and a message is sent to the sounder. If not, that means the panel is still busy and the timer will start again, when the retry number decreases listen for the selected sounder to activate. When the selected sounder has activated it sounds for four seconds and resets itself, watch the display for the acknowledgement message. (ACK)

```
Device 025 Timer 5
Retry 04 REPLY ACK

Push Any Key Time
```

If the acknowledgement message has been received and a fault has not been reported the test is now complete.

17 Press Any key and the screen will now display:

```
| Action : TEST |
>Do Action <
| ^^^^^^^^^^^^^^ |
Yes= Select Time
```

18 Press the "Δ" key until the screen displays:

```
|** Configure ** |
>Sounder : 025 <
| Action : FIRE |
Yes= Select Time
```

If you want to test another sounder repeat from step 13. If you have finished testing press the "NO" key until your back to the main screen (shown below). Then turn the key switch to the "OFF" position.

```
Status Normal

Date Time
```

16. How To Change The Device Address Text Description

To change the Text description on the 5000 FirePoint, Insert the key into the Panels Control Key switch, Located at the right of the panel.

Step No	Action	Screen Display
------------	--------	----------------

1 With the key in the "ON" position, the screen will display:

```
Panel in Access

Date Time
```

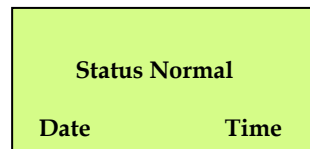
2	Press the "0" key and the screen will now display:	<pre> ***Options **** > Passwords < Time and Date Yes =Select Time </pre>
3	Press the "∇" key until the screen displays:	<pre> Logging >Fire System Opts < Remote Access Yes = select Time </pre>
4	Press the "YES" key and the screen will now display:	<pre> ** Fire system ** >Dev. Disable/Test < Net. Disable/Test Yes= Select Time </pre>
5	Press the "∇" key until the screen displays:	<pre> System Mode >Engineers Config < Printer Options Yes= Select Time </pre>
6	Press the "YES" key and the screen will now display:	<pre> Enter Your PIN For Access> Then Press YES Time </pre>
7	Press 221100 then press the "YES" key and the screen will display:	<pre> ** Eng. Config ** >Device Database < Sounder Options Yes= Select Time </pre>
8	Press the "YES" key and the screen will now display:	<pre> * FIRE DATABASE * >Device Number 001 < Default Device 001 Yes= Select Time </pre>
9	Press the "0" key and the screen will now display:	<pre> Enter Device (Numbers 1-256) Number > _ YES = Finish Time </pre>
10	Enter the device number that you want to edit (e.g. 25) then press the "YES" key and the screen will now display:	<pre> * FIRE DATABASE * >Device Number 025 < Default Device 025 Yes= Select Time </pre>
11	Press the "∇" key once and the screen will display:	<pre> Device Number 025 >Default Device 025 < Device Zone 01 Yes= Select Time </pre>
12	Press the "YES" key and the screen will now display: Enter your text description using the Function table. (the character selector is underneath M)	<pre> Default Device 001 4<HIJKL M NOPQRS>6 </pre>

KEY	FUNCTION
0	Enters a blank space into the new device name being entered.
4	Moves the alphabet wheel of characters to the Left , by one character space at a time.
5	Enters the character in the centre directly above the character selector .
6	Moves the alphabet wheel of characters to the Right , by one character space at a time.
7	Moves the flashing cursor to the left , through the new device name by one character space at a time.
8	Moves the alphabet wheel of characters to the Right , by 12 character Spaces at a time.
9	Moves the flashing cursor to the Right , through the new device name by one character space at a time.
↵	Backspace Key, Deletes by one character. (Deletes to the left only)
↵	Saves and completes the current activity and returns the program to the appropriate display.
NO	Allows the option of abandoning any changes and returning to the program.
YES	Saves and completes the current activity and returns the program to the appropriate display.

13 When completed and saved the text description use the "NO" key exit the menu's until the screen displays:



14 Turn the Key to the "OFF" position and the screen will display:



17. Recommended Additional Sounder Monitoring

The 5000 FirePoint control panels have the ability to carry out additional checks on the UHF transmission path, which operates sounder type devices. This procedure is automatically implemented if a sounder type device is allocated to slot 256 on the control panel. It is therefore recommended that on each control panel a sounder type device which is in close vicinity to the control panel (between 5-10 metres away) is allocated to slot 256.

The additional monitoring incorporates a silent sounder command to be transmitted and an acknowledgement command signal to then be received by the control panel. If the acknowledgement command is not successfully received at the control panel a sounder test fail fault will be displayed for device 256 on the associated control panel.

If this type of fault does occur then checks should be carried out on the system in relation to the operation of sounder type devices.

18. Fault List

Panel Faults	Description In Log	Symptom
MN	Mains Input Failed.	Check 230 volt supply and the fuse.
BT	Battery Charging Fail.	Check the battery connection and the fuse.
AT	Main Receiver, Aerial Tamper.	Occurs when one of the aerials have been removed. Check 4k7 resistance that monitors the connections on the aerials.
RI	Radio Interference	Check the radio interference threshold. If level seen is higher than threshold, then there is excessive interference in the air and the cause will have to be identified.
OL	Node Offline	Occurs when one of the networked panels fails to communicate between the master and vice versa. Check the Lan module is on online also check connections, try re-on lining the node from slave and master.
CK	Checksum Changed	Check the checksum is set to logged in the panel hardware menu, reset the checksum data in the main menu.
PR	Processor Reset	Silence and reset fault with the control key switch in the "ON" position. (This happens when the panel is restarted).
T/X	UHF Txer Failed Health Check	Occurs when the radio board is not communicating to the charger relay board. Check the ribbon Cables on radio pcb. Check the pager port is not redirected.
Tamper	In To Tamper	Check the device or unit to ensure it has not been tampered with. Check the tamper switches are closed and making good contact.
H/W Bus node offline	H/W Bus Node Offline	Occurs when hardwired units lose communication with the panel, Check the RS485 bus connections on panel and module. Try restarting the RS 485 bus.
Fire	Into Fire	A device has activated.
Test Alarm	Into Test Alarm	This occurs when a device has been activated whilst the device/zone has been placed into test.
Fault	Head Missing	Occurs when a device head has been removed.
Fault	A Supply Management	Occurs when a fault is found on the batteries on a device. (Low voltage).
Fault	B Supply Management	Occurs when a fault is found on the batteries on a device. (Low voltage).
Fault	C Supply Management	This occurs when a fault is found on the batteries on a device. (Battery missing).
Fault	Intermittent Device Signal	Occurs when the device has not called in within the call in time period. Double basing the unit or moving the VHF high gain aerial to a better position may aid signal.
Fault	New Head	Occurs when a new Sensor head has been inserted on the base or the sensitivity settings have been change.
Fault	No ACK Received	Occurs when an acknowledgement signal has not been received from a device after a command has been sent from the panel to a device. Take the device to the panel and try sending another command to test the transmitter and the receiver.
Fault	Radio Lan Node: 2 (Off-Line)	Occurs when one of the networked panels fails to communicate the master and viseversa. Check the Lan module is on online, try re-on lining the node from slave and master.
Fault	Open Circuit	Occurs when a monitored circuit has been opened.
Fault	Short Circuit	Occurs when a monitored circuit is shorted.
Fault	Condition Ready	Occurs when a monitored circuit is back in normal state.
Fault	Sounder Test Fail	Occurs when either an individual sounder test command is sent to a device and the unit fails to sound or if displayed for device 256 (see section 17).

19. Do's and Don'ts

Don't place any aerials near metal work and keep aerials 2 meters away from all electrical equipment, all tips of aerials must stay away from any obstruction.

Always pinch and twist on helical aerials to ensure good connection.

Always make sure the correct aerial is on the right side of the panel by matching the coloured bands of the aerial to the colours on the panel.

When testing devices, always put the zones into test so sounders are not activated.

Don't change device zones with the fire LED display lit.

Don't warm start the panel to clear device faults.

Always look in the event log for fault description.

Always take the system off watch before testing devices or activating the system.

Always, warm start the panel after entering a TSA set-up to refresh the panel.

Always use industry standard fire rated cable, all screened cable should only be earthed at one end.

Always put lithium-based devices into test, or their zones into test, when changing their battery packs, as new battery information is not recognised when the device is disabled.

Always enable the tamper when logging on a combined detector/sounder.



Third Party Accredited
ISO 9001 ■ ISO 13485 ■ ISO 14001

The information contained within this literature is correct at time of publishing. The EMS Security Group Ltd reserves the right to change any information regarding products as part of its continual development enhancing new technology and reliability. The EMS Group advises that any product literature issue numbers are checked with its head office prior to any formal specification being written.