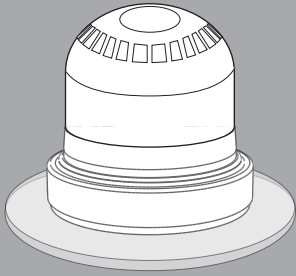
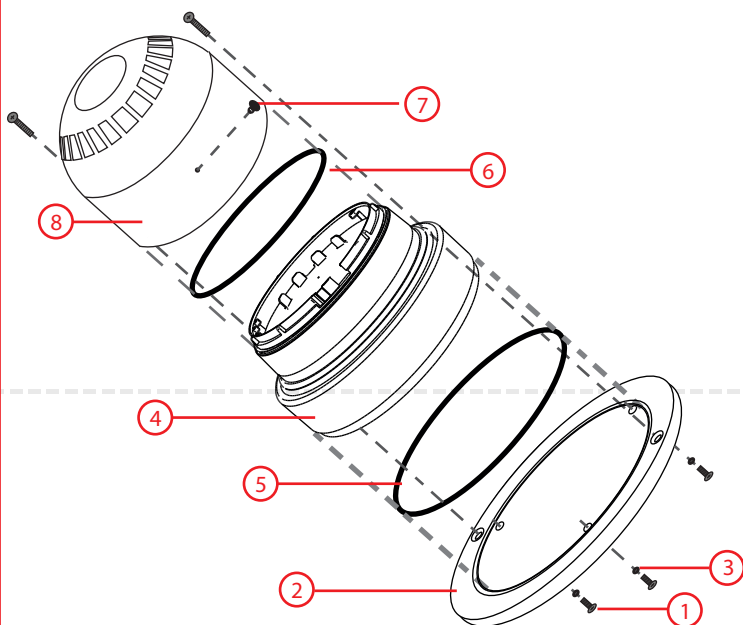


## Wireless Sounder Weather Resistant Kit Installation Guide



### 1 Supplied Parts

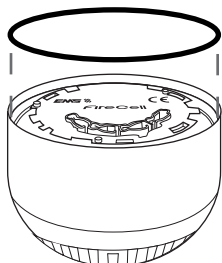
- Ensure that you have all of the required parts as detailed below.



ITEM NO	QTY	PART DESCRIPTION
1	3	1/2 PAN POZI SCREW
2	1	PERSPEX MOUNTING PLATE
3	3	FLAT WASHER
4	1	WIRELESS MODULE (SOLD SEPARATELY)
5	1	LARGE O-RING (120 MM DIAMETER)
6	1	SMALL O-RING (90 MM DIAMETER)
7	1	RUBBER PLUG
8	1	SOUNDER VISUAL INDICATOR (SOLD SEPARATELY)

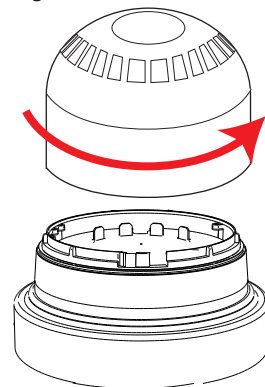
### 4 Fit Small O-Ring

- Fit the Small O-Ring (Item 6) to the Sounder / Visual Indicator.
- Ensure the O-Ring is spaced evenly around the the lip of the Sounder / Visual Indicator.



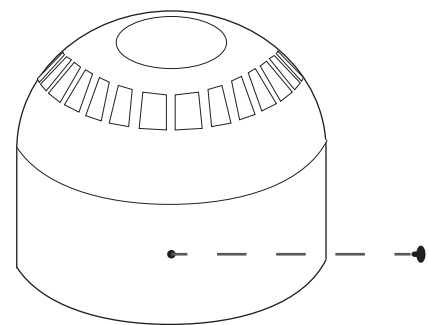
### 2 Remove Sounder

- Remove the Sounder / Visual Indicator from the Wireless Module by turning it anticlockwise.



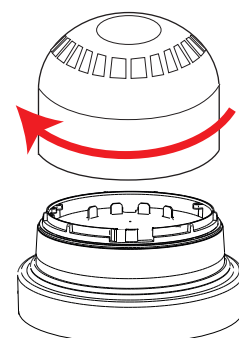
### 3 Fit Rubber Plug

- Fit the Rubber Plug (item 7) into the cavity on the Sounder / Visual Indicator.



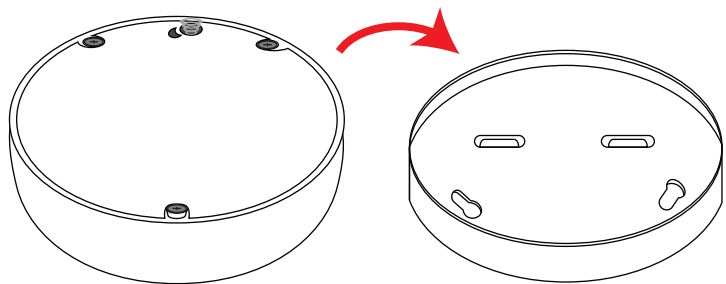
### 5 Attach Sounder

- Re-attach the Sounder / Visual Indicator to the Wireless Module.



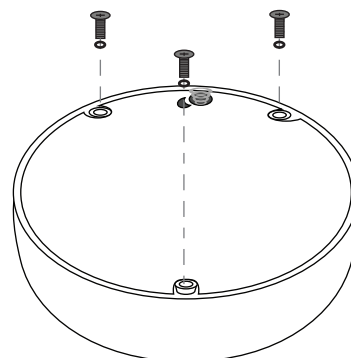
## 6 Remove Mounting Plate

- Remove the Mounting Plate by turning it anticlockwise.



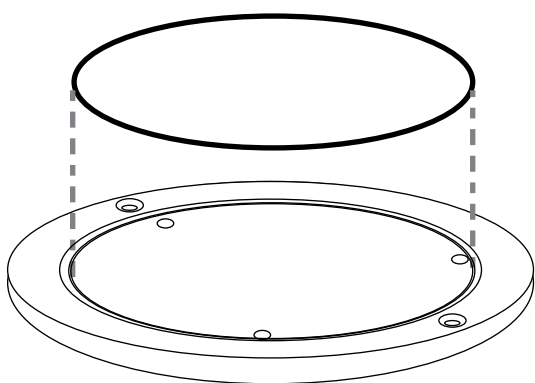
## 7 Remove Screws

- Remove the three exposed screws. The battery retaining plate must also be removed.



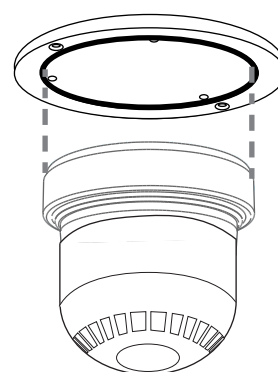
## 8 Fit Large O-Ring

- Fit the Large O-Ring (item 5) to the Perspex Mounting Plate.



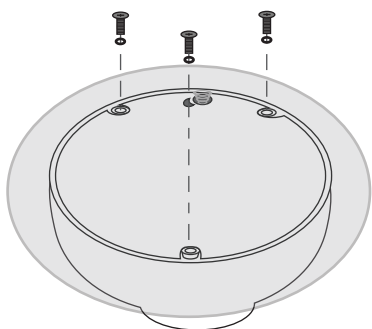
## 9 Fit Device to Mounting Plate

- Fit the device on to the Perspex Mounting Plate (Item 2) with the O-Ring between them as shown.



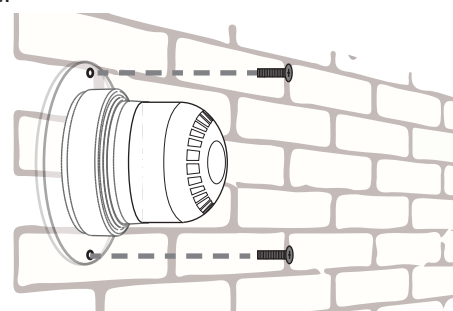
## 10 Secure Mounting Plate

- Align the devices and plates screw holes as shown.
- Secure the device to the Perspex Mounting Plate using the washers and screws (items 1 and 3).



## 11 Fix to the Wall

- Fix the weather resistant sounder securely to the wall using suitable 4mm countersunk screws as shown.
- The rubber plug should be located at the bottom of the device.



## Specification

<b>Compatibility</b>	For use with FireCell Wireless Sounder and Visual Indicator Variants.
<b>IP Rating</b>	IP55
<b>Dimensions</b>	155mm (Ø) 12mm (D)
<b>Weight</b>	0.25Kg

## Regulatory Information

<b>Manufacturer</b>	EMS Ltd. Technology House, Herne Bay, Kent, CT6 8JZ, United Kingdom
<b>Complies With</b>	BS EN 60529:2000
<b>Application</b>	Type B: for outdoor use