



FirePoint

System 5000

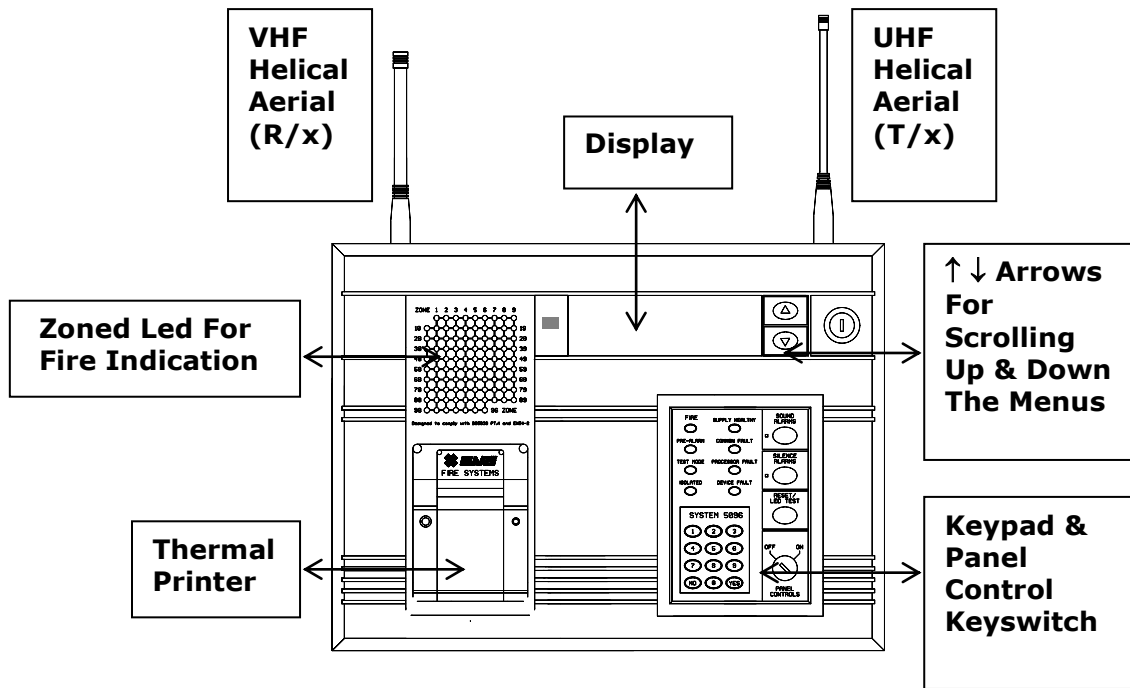


Step-By-Step Guide (MK1)

Table Of Contents

Section	Page No
1. HOW TO RESET FIRE & FAULT EVENTS	4
2. HOW TO ENTER THE SYSTEM EVENT LOG	4
3. HOW TO ENTER THE SYSTEM EVENT LOG WITH FAULTS DISPLAYED	5
4. HOW TO ISOLATE DEVICES	7
5. HOW TO RE-INSTATE DEVICES FROM ISOLATION	8
6. HOW TO ISOLATE A DEVICE ACROSS A NETWORK SYSTEM.....	9
7. HOW TO RE-INSTATE AN ISOLATED DEVICE ACROSS A NETWORK.....	11
8. HOW TO LOG ON A DEVICE	13
9. HOW TO REMOVE A DEVICE.....	16
10. HOW TO REPLACE DEVICES	17
11. HOW TO PUT ZONES INTO TEST (TESTING DEVICES).....	20
12. HOW TO TAKE ZONES OUT OF TEST.....	22
13. HOW TO PUT ALL THE ZONES INTO TEST ACROSS A NETWORK	24
14. HOW TO TAKE ALL THE ZONES OUT OF TEST ACROSS A NETWORK.....	25
15. HOW TO TEST INDIVIDUAL SOUNDERS	27
16. FAULT LIST.....	31
17. DO'S AND DON'TS	33

5000 FirePoint



1. How To Reset Fire & Fault Events

To reset fires/faults on the 5000 FirePoint, Insert the key into the panel controls keyswitch, located at the right of the panel. Turn the panel control key to the on position.

Step No	Action	Screen Display
1	This a normal fire event	<div style="border: 1px solid black; padding: 5px;"> <p>01 FIRE ALARM TOT 01 RADIO CALLPOINT</p> <p>ZONE 01 DEVICE005</p> </div>
2	Press the Silence Alarm button and the screen will now briefly display: (Press Any Key)	<div style="border: 1px solid black; padding: 5px;"> <p>Alarms Silenced</p> <p>Push Any Key</p> </div>
3	Press the Reset/Led Test button and the screen will now briefly display: (Press Any Key)	<div style="border: 1px solid black; padding: 5px;"> <p>Device RESET: RADIO CALLPOINT</p> <p>Push Any Key</p> </div>
4	The event is now clear, turn the key to the off position	<div style="border: 1px solid black; padding: 5px;"> <p>Status Normal</p> <p>Date Time</p> </div>

2. How To Enter The System Event Log

To enter the System event log on the 5000 FirePoint, insert the key into the panel controls keyswitch, located at the right of the panel.

Step No	Action	Screen Display
1	Turn the key to the on position and the screen will display:	<div style="border: 1px solid black; padding: 5px;"> <p>Panel in Access</p> <p>Date Time</p> </div>
2	Press 0 key and the screen will now display:	<div style="border: 1px solid black; padding: 5px;"> <p> ***Options **** </p> <p>>Passwords <</p> <p> Time and Date </p> <p>Yes =Select Time</p> </div>
3	Press ↓ key two times and the screen will display:	<div style="border: 1px solid black; padding: 5px;"> <p> Time and Date </p> <p>>Logging <</p> <p> Fire System Opts </p> <p>YES = Select Time</p> </div>
4	Press Yes key and the screen will now display:	<div style="border: 1px solid black; padding: 5px;"> <p> **Event Logging * </p> <p>>View Log At Date <</p> <p> View Entire Log </p> <p>Yes = Select Time</p> </div>

5 Press **Yes key** and the screen will now display:

```

Enter the date to
View:  /  /

Yes = Finish      Time
    
```

6 Enter the date Required to be viewed in **dd/mm/yy** Format, (e.g.28/05/03) then press **Yes key** and the screen will now display:

```

-----
On 28/05/03 At 00:00
New Day of 28/05/03
Yes = Select      Time
    
```

The log for the date selected can now be viewed by using the ↑ ↓ Arrows next to the display, all fire and fault events are listed in date and time order. Using number 5 on the keypad will take you to the oldest event, number 8 on the keypad latest event. (Look at the fault list for examples of descriptions that are in the log).

3. How To Enter The System Event Log With Faults Displayed

To enter the sytem event log on the 5000 FirePoint with faults displayed there are two ways.

The first way is to isolate the devices that are in fault. The second way is to enter the engineer’s menu main. To enter the engineer’s main menu insert the key into the panel controls keyswitch, located at the right of the panel.

Step No	Action	Screen Display
---------	--------	----------------

1 Turn the key to the on position and the screen will display:

```

Panel in Access

Date              Time
    
```

2 Press **0 key** and the screen will now display:

```

|** Fire system **|
>Dev. Isolate/Test<
| Net. Isolate/Test |
Yes= Select      Time
    
```

3 Press **↓ key** four times and the screen will display:

```

|Brigade Isolate |
>Engineers Config<
|Printer Options |
Yes= Select      Time
    
```

4 Press **Yes key** and the screen will now display:

```

Enter Your PIN
For Access>
Then Press YES
Time
    
```

5 Press **221100** then press **Yes key** and the screen will display:

```

|** Eng.; Config **|
>Device Database <
|Sounder Options |
Yes= Select      Time
    
```

6 Press **Number 8** on the keypad and the screen will now display: (number 8 is a quick move key that take you to the bottom of the menu)

```
|Reset System      |
>Lan Options      <
|^^^^^^^^^^^^^^^^|
Yes= Select      Time
```

7 Press **↑ key** once and the screen will now display:

```
|Reset Security    |
>Reset System     <
|Lan Options      |
Yes= Select      Time
```

8 Press **Yes key** followed **0 key** on the keypad the screen will now display:

```
|** Main Menu **|
>Pins & Access   <
|System Support   |
Yes= Select      Time
```

9 Press **↓ key** seven times and the screen will display:

```
|Output Setup     |
>Logging         <
|Remote Rxers    |
Yes= Select      Time
```

10 Press **Yes key** and the screen will now display:

```
|**Event Logging *|
>View Log At Date <
|View Entire Log  |
Yes = Select      Time
```

11 Press **Yes key** and the screen will now display:

```
Enter the date to
View:  /  /

Yes = Finish      Time
```

12 Enter the date Required to be viewed in **dd/mm/yy** Format, (e.g.28/05/03) then press **Yes key** and the screen will now display:

```
-----
On 28/05/03 At 00:00
New Day of 28/05/03
Yes = Select      Time
```

The log for the date selected can now be viewed by using the ↑ ↓ Arrows next to the display, all fire and fault events are listed in date and time order. Using number 5 on the keypad will take you to the oldest event, number 8 on the keypad latest event. (Look at the fault list for examples of descriptions that are in the log).

4. How To Isolate Devices

To isolate a device on the 5000 FirePoint, Insert the key into the panel controls keyswitch, located at the right of the panel.

Step No	Action	Screen Display
1	Turn the key to the on position and the screen will display:	<pre> Panel in Access Date Time </pre>
2	Press 0 key and the screen will now display:	<pre> ***Options **** >Passwords < Time and Date Yes =Select Time </pre>
3	Press ↓ key three times and the screen will display:	<pre> Logging >Fire System Opts< Remote Access Yes = select Time </pre>
4	Press Yes key and the screen will now display:	<pre> ** Fire system ** >Dev. Isolate/Test< Net. Isolate/Test Yes= Select Time </pre>
5	Press Yes key and the screen will now display:	<pre> ** Device Status * >Number is: 001 < Status is: ACTIVE Yes= Select Time </pre>
6	Press 0 key and the screen will now display:	<pre> Enter Device (Number 1-256) Number > _ Yes = Finish Time </pre>
7	Enter the device number that you want to isolate (e.g. 125) then press Yes key and the screen will now display:	<pre> ** Device Status * >Number is: 125 < Status is: ACTIVE Yes= Select Time </pre>
8	Press ↓ key one time and the screen will display:	<pre> Number is: 125 >Status is: ACTIVE< Zone is : 01 Yes= Select Time </pre>
9	Press Yes key and the screen will now display:	<pre> Number is: 125 >Status is :ISOLATE< Zone is : 01 Yes= Select Time </pre>
10	Press No key three times and the screen will now display:	<pre> Panel in Access Date Time </pre>

- 11 Turn the **Control key** switch to the off position and the screen will now display:

```

Status Normal
Date           Time
    
```

Note: The isolate LED on the 5000 FirePoint panel will illuminate with an intermittent beep to show there is an isolation on the system.

5. How To Re-instate Devices From Isolation

To reactivate a device on the 5000 FirePoint, insert the key into the panel controls keyswitch, located at the right of the panel. Turn the key to the on position.

Step No	Action	Screen Display
1	Turn the key to the on position and the screen will display:	<pre> Panel in Access Date Time </pre>
2	Press 0 key and the screen will now display:	<pre> ***Options **** >Passwords < Time and Date Yes =Select Time </pre>
3	Press ↓ key three times and the screen will display:	<pre> Logging >Fire System Opts< Remote Access Yes = select Time </pre>
4	Press Yes key and the screen will now display:	<pre> ** Fire system ** >Dev. Isolate/Test< Net. Isolate/Test Yes= Select Time </pre>
5	Press Yes key and the screen will now display:	<pre> ** Device Status * >Number is: 001 < Status is: ACTIVE Yes= Select Time </pre>
6	Press 0 key and the screen will now display:	<pre> Enter Device (Number 1-256) Number >_ Yes = Finish Time </pre>
7	Enter the device number that you want to isolate (e.g. 125) then press Yes key and the screen will now display:	<pre> ** Device Status * >Number is: 125 < Status is: ISOLATE Yes= Select Time </pre>

EMS 5000 FIREPOINT

8 Press **↓ key** one time and the screen will display:

```
|Number is: 125 |
>Status is: ISOLATE<
| Zone is : 01 |
Yes= Select Time
```

9 Press **Yes key** twice and the screen will now display:

```
|Number is: 125 |
>Status is : ACTIVE<
| Zone is : 01 |
Yes= Select Time
```

10 Press **No key** three times and the screen will now display:

```
Panel in Access
Date Time
```

11 Turn the **Control key** switch to the off Position and the screen will now display:

```
Status Normal
Date Time
```

Note: The isolate LED on the 5000 FirePoint Panel will clear and the isolate beep will stop.

6. How To Isolate A Device Across A Network System

To isolate a device across the network on the 5000 FirePoint, insert the key into the panel controls keyswitch, located at the right of the panel.

Step No	Action	Screen Display
1	Turn the key to the on position and the screen will display:	<pre>Panel in Access Date Time</pre>
2	Press 0 key and the screen will now display:	<pre>***Options*** >Passwords < Time and Date Yes =Select Time</pre>
3	Press ↓ key three times and the screen will display:	<pre> Logging >Fire System Opts< Remote Access Yes = select Time</pre>
4	Press Yes key and the screen will now display:	<pre>** Fire system ** >Dev. Isolate/Test< Net. Isolate/Test Yes= Select Time</pre>
5	Press ↓ key one time and the screen will display:	<pre> Dev. Isolate/Test >Net. Isolate/Test < Zone Isolate/Test Yes= Select Time</pre>

EMS 5000 FIREPOINT

6 Press **Yes key** and the screen will now display: (move on to step 8 if H/W)

```

|* Network Status * |
>Panel Type : PAN <
|Panel      : 00  |
Yes= Select      Time
    
```

7 Press **Yes key** once the Screen will now display:

```

|* Network Status * |
>Panel Type : NET <
|Panel      : 00  |
Yes= Select      Time
    
```

**NOTE : PAN is for a Hardwired based System.
NET is for a Radio LAN based system.**

8 Press **↓ key** one time and the screen will display:

```

|Panel Type : NET |
>Panel      : 00 <
|Device     : 00  |
Yes= Select      Time
    
```

9 Press the **Yes key** to change the panel number until the required panel number is shown: (e.g. 04)

```

|Panel Type : NET |
>Panel      : 04 <
|Device     : 00  |
Yes= Select      Time
    
```

10 Press **↓ key** one time and the screen will display:

```

|Panel      : 04  |
>Device     : 00 <
|Status     : Active
Yes= Select      Time
    
```

11 Press **0 key** and the screen will now Display:

```

Enter Device
(Number 1-256)
Number > _
Yes = Finish      Time
    
```

12 Enter the **device number** that you want to isolate (e.g. 125) then press **Yes key** and screen will now display:

```

|Panel      : 04  |
>Device     : 125 <
|Status     : Active
Yes= Select      Time
    
```

13 Press **↓ key** one time and the screen will display:

```

|Device     : 125 |
>Status     : Active<
|Transmit Event |
Yes= Select      Time
    
```

14 Press **Yes key** once the Screen will now display:

```

|Device     : 125 |
>Status     : Isolate<
|Transmit Event |
Yes= Select      Time
    
```

15 Press **↓ key** one time and the screen will display:

```

|Status     : Isolate |
>Transmit Event <
|AAAAAAAAAAAAAAAAA|
Yes= Select      Time
    
```

16 Press **Yes key** once the Screen will now display:

```

Device 125 on NET 04
Set to ISOLATED

Push Any Key      Time
    
```

17 Press **NO key** three times and the screen will display:

```

Panel in Access
Date           Time
    
```

18 Turn the **Control key** switch to the off position and the screen will now display:

```

Status Normal
Date           Time
    
```

Note: The isolate LED on the 5000 FirePoint Master Panel and the 5000 FirePoint Slave Panel 04 will illuminate with intermittent beep to show there is an isolation on the system.

7. How To Re-instate an Isolated Device Across A Network

To re-instate an isolated device across the network on the 5000 FirePoint, Insert the key into the panel controls keyswitch, located at the right of the panel.

Step No	Action	Screen Display
1	Turn the key to the on position and the screen will display:	<pre> Panel in Access Date Time </pre>
2	Press 0 key and the screen will now display:	<pre> ***Options **** >Passwords < Time and Date Yes =Select Time </pre>
3	Press ↓ key three times and the screen will display:	<pre> Logging >Fire System Opts< Remote Access Yes = select Time </pre>
4	Press Yes key and the screen will now display:	<pre> ** Fire system ** >Dev. Isolate/Test< Net. Isolate/Test Yes= Select Time </pre>
5	Press ↓ key one time and the screen will display:	<pre> Dev. Isolate/Test >Net. Isolate/Test < Zone Isolate/Test Yes= Select Time </pre>

EMS 5000 FIREPOINT

6 Press **Yes key** and the screen will now display: (move on to step 8 if H/W)

```

[* Network Status * |
>Panel Type : PAN <
|Panel      : 00  |
Yes= Select      Time
    
```

7 Press **Yes key** once the Screen will now display

```

[* Network Status * |
>Panel Type : NET <
|Panel      : 00  |
Yes= Select      Time
    
```

**NOTE : PAN is for a Hardwired based System.
NET is for a Radio LAN based system.**

8 Press ↓ **key** one time and the screen will display:

```

|Panel Type : NET |
>Panel      : 00 <
|Device     : 00  |
Yes= Select      Time
    
```

9 Press the **Yes key** to change the panel number until the required panel number is shown: (e.g. 04)

```

|Panel Type : NET |
>Panel      : 04 <
|Device     : 00  |
Yes= Select      Time
    
```

10 Press ↓ **key** one time and the screen will display:

```

|Panel      : 04  |
>Device     : 00 <
|Status     : Isolate|
Yes= Select      Time
    
```

11 Press **0 key** and the screen will now display:

```

Enter Device
(Number 1-256)
Number > _
Yes = Finish      Time
    
```

12 Enter the **device number** that you want to re-instate (e.g. 125) then press **Yes key** and screen will now display:

```

|Panel      : 04  |
>Device     : 125 <
|Status     : Isolate|
Yes= Select      Time
    
```

13 Press ↓ **key** one time and the screen will display:

```

|Device     : 125  |
>Status     : Isolate <
|Transmit Event |
Yes= Select      Time
    
```

14 Press **Yes key** once the Screen will now display:

```

|Device     : 125  |
>Status     : Active<
|Transmit Event |
Yes= Select      Time
    
```

15 Press ↓ **key** one time and the screen will display:

```

|Status     : Active |
>Transmit Event <
|^^^^^^^^^^^^^^^^^^|
Yes= Select      Time
    
```

EMS 5000 FIREPOINT

16 Press **Yes key** once the Screen will now display

```
Device 125 on NET 04
Set to ACTIVE

Push Any Key    Time
```

17 Press **NO key** three times and the screen will display:

```
Panel in Access

Date            Time
```

18 Turn the **Control key** switch to the off position and the screen will now display:

```
Status Normal

Date            Time
```

Note: The isolate LED on the 5000 FirePoint Master Panel and 5000 FirePoint Slave Panel will clear and the isolate beep will stop.

8. How To Log On A Device

To log on a device onto the 5000 FirePoint, take the device in front of the panel. Insert the key into the panel controls keyswitch, located at the right of the panel.

Step No	Action	Screen Display
1	Turn the key to the on position and the screen will display:	<pre>Panel in Access Date Time</pre>
2	Press 0 key and the screen will now display:	<pre>***Options*** >Passwords < Time and Date Yes =Select Time</pre>
3	Press ↓ key three times and the screen will display:	<pre> Logging >Fire System Opt< Remote Access Yes = select Time</pre>
4	Press Yes key and the screen will now display:	<pre>** Fire system ** >Dev. Isolate/Test< Net. Isolate/Test Yes= Select Time</pre>
5	Press ↓ key four times and the screen will display:	<pre> Brigade Isolate >Engineers Config< Printer Options Yes= Select Time</pre>

EMS 5000 FIREPOINT

6 Press **Yes key** and the screen will now display:

```

Enter Your PIN
For Access>
Then Press YES
Time
    
```

7 Press **221100** then press **Yes key** and the screen will display:

```

|** Eng.; Config ** |
>Device Database <
|Sounder Options |
Yes= Select Time
    
```

8 Press **↓ key** three times and the screen will display:

```

|List Options |
>Log On Devices <
|Site Survey |
Yes= Select Time
    
```

9 Press **Yes key** and the screen will now display:

```

Logon DISABLED(000)
Push YES to change
Push NO to escape
Push YES/NO Time
    
```

10 Press **Yes key** to change and the screen will now display:

```

|**Logon Options** |
>Logon Slot :AUTO <
|Slot is :FREE |
Yes= Select Time
    
```

11 Press **0 key** and the screen will now display:

```

Enter Device
(Numbers 1-256)
Number>
Yes= Finish Time
    
```

12 Enter the slot number that you want to add a device to (e.g. 125) then press **Yes key** and the Screen will now display:

```

|**Logon Options** |
>Logon Slot :125 <
|Slot is :FREE |
Yes= Select Time
    
```

13 Press **↓ key** twice and the screen will now display:

```

|Slot is :IN USE |
>Logon is DISABLED<
| ^^^^^^^^^^^^^^^^^ |
    
```

14 Press **Yes key** and the screen will now display:

```

|Slot is :IN USE |
>Logon is ENABLED<
| ^^^^^^^^^^^^^^^^^ |
    
```

15 Take the device you want to log on. Press and hold the logon button for 2-3 seconds (e.g. **Figure 1**) and the screen will now display:

```

Logon Default Device
125
Yes= Select Time
    
```

```

Added Default Device
125
Yes= Select Time
    
```

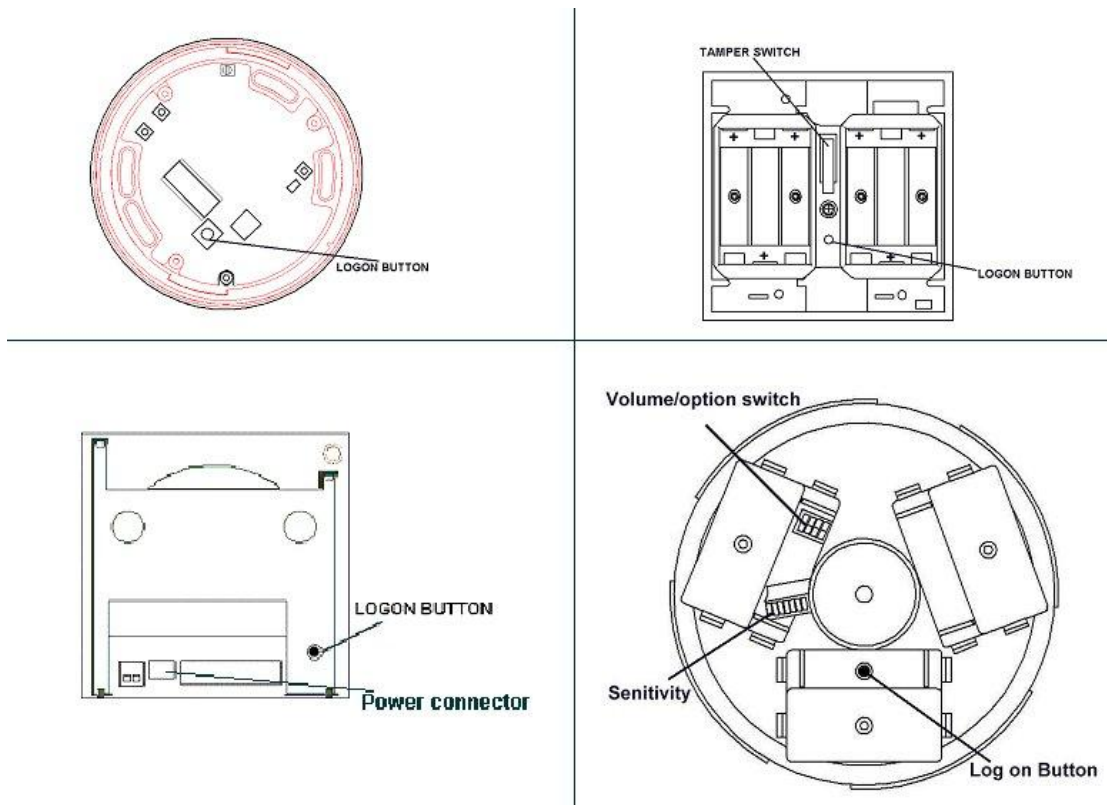


FIGURE 1

- 16 Press **Yes key** twice and the screen will now display:

```
|Slot is :IN USE |
>Logon is DISABLED<
| ~~~~~~ |
```

- 17 Press **No key** three times and the screen will now display:

```
01 FAULT TOT 02
Default Device 125

ZONE 01 DEVICE 125
```

Note: After logging the device on to the system there will be two faults: -

- 1st fault is processor reset. (Just silence and reset E.G. Page 3)**
- 2nd fault is the Tamper. (Make sure the device tamper is clear then silence and reset E.G. page 3)**

- 18 After the faults have been cleared turn the **Control key** switch to the off position and the screen will now display:

```
Status Normal

Date Time
```

9. How To Remove A Device

To remove a device off the 5000 FirePoint, insert the key into the panel controls keyswitch, located at the right of the panel.

Step No	Action	Screen Display
1	Turn the key to the on position and the screen will display:	<pre> Panel in Access Date Time </pre>
2	Press 0 key and the screen will now display:	<pre> ***Options **** >Passwords < Time and Date Yes =Select Time </pre>
3	Press ↓ key three times and the screen will display:	<pre> Logging >Fire System Opt< Remote Access Yes = select Time </pre>
4	Press Yes key and the screen will now display:	<pre> ** Fire system ** >Dev. Isolate/Test< Net. Isolate/Test Yes= Select Time </pre>
5	Press ↓ key four times and the screen will display:	<pre> Brigade Isolate >Engineers Config< Printer Options Yes= Select Time </pre>
6	Press Yes key and the screen will now display:	<pre> Enter Your PIN For Access> Then Press YES Time </pre>
7	Press 221100 then press Yes key and the screen will display:	<pre> ** Eng.; Config ** >Device Database < Sounder Options Yes= Select Time </pre>
8	Press ↓ key five times and the screen will display:	<pre> Site Survey >Remove Devices < Panel Hardware Yes= Select Time </pre>
9	Press Yes key and the screen will now display:	<pre> Enter Device (Numbers 1-256) Number > _ YES = Finish Time </pre>

10 Enter the device number you want to delete (e.g. 005) and press **Yes key** the screen will now display:

```

Device 5 Deleted
Press Any Key   Time
    
```

11 **Press ANY key** and the screen will now display:

```

|Site Survey      |
>Remove Devices  <
|Panel Hardware   |
Yes= Select      Time
    
```

12 Press the **No key** three times and the screen will now display:

```

Panel in Access
Date           Time
    
```

13 Turn the **Control key** switch to the off position and the screen will now display:

```

Status Normal
Date           Time
    
```

10. How To Replace Devices

To replace a device on the 5000 FirePoint, take the new device in front of the panel. Insert the key into the panel controls keyswitch, located at the right of the panel.

Step No	Action	Screen Display
---------	--------	----------------

1 Turn the key to the on position and the screen will display:

```

Panel in Access
Date           Time
    
```

2 Press **0 key** and the screen will now display:

```

|***Options ****|
>Passwords      <
|Time and Date   |
Yes =Select     Time
    
```

3 Press **↓ key** three times and the screen will display:

```

|Logging         |
>Fire System Opts<
|Remote Access   |
Yes = select     Time
    
```

4 Press **Yes key** and the screen will now display:

```

|** Fire system **|
>Dev. Isolate/Test<
|Net. Isolate/Test|
Yes= Select     Time
    
```

EMS 5000 FIREPOINT

5	Press ↓ key four times and the screen will display:	<pre> Brigade Isolate >Engineers Config< Printer Options Yes= Select Time </pre>
6	Press Yes key and the screen will now display:	<pre> Enter Your PIN For Access> Then Press YES Time </pre>
7	Press 221100 then press Yes key and the screen will display:	<pre> ** Eng.; Config ** >Device Database < Sounder Options Yes= Select Time </pre>
8	Press ↓ key three times and the screen will display:	<pre> List Options >Log On Devices < Site Survey Yes= Select Time </pre>
9	Press Yes key and the screen will now display:	<pre> Logon DISABLED(000) Push YES to change Push NO to escape Push YES/NO Time </pre>
10	Press Yes key to change and the screen will now display:	<pre> **Logon Options** >Logon Slot :AUTO < Slot is :FREE Yes= Select Time </pre>
11	Press 0 key and the screen will now display:	<pre> Enter Device (Numbers 1-256) Number> Yes= Finish Time </pre>
12	Enter the slot number that you want to add a device to (e.g. 125) then press Yes key and the Screen will now display:	<pre> **Logon Options** >Logon Slot :125 < Slot is :FREE Yes= Select Time </pre>
13	Press ↓ key twice and the screen will now display:	<pre> Slot is :IN USE >Logon is DISABLED< ^^^^^^^^^^^^^^^^^ </pre>
14	Press Yes key twice and the screen will now display:	<pre> Slot is :IN USE >Logon is REPLACE< ^^^^^^^^^^^^^^^^^ </pre>

- 15 Take the device you want to log on.
Press and hold the logon button for 2-3 seconds (e.g. **Figure 2**) and the screen will now display:

Logon Default Device 125
Yes= Select Time

Added Default Device 125
Yes= Select Time

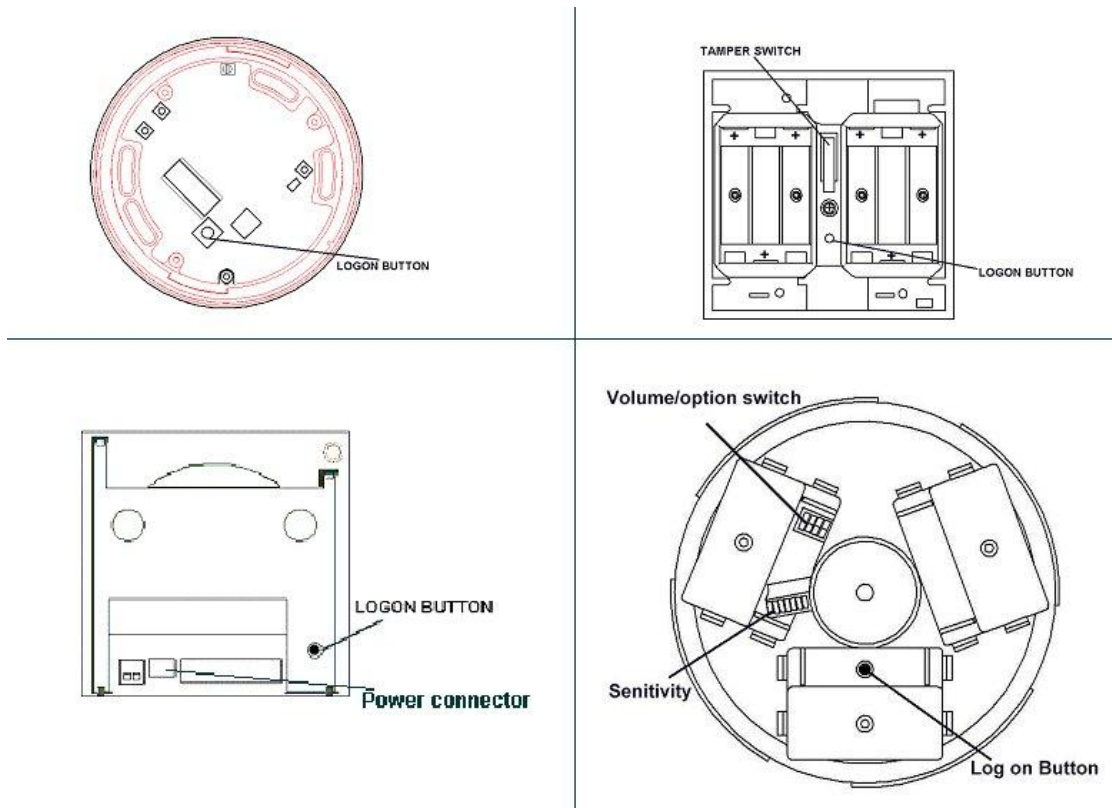


FIGURE 2

- 16 Press **Yes key** once and the screen will now display:

Slot is :IN USE >Logon is DISABLED< ~~~~~~

- 17 Press **No key** three times and the screen will now display:

01 FAULT TOT 02 Default Device 125 ZONE 01 DEVICE 125

Note: After logging the device on to the system there will be two faults: -

1st fault is processor reset. (Just silence and reset E.g. Pg. 3)

2nd fault is the Tamper. (Make sure the device tamper is clear then silence and reset E.g. Pg. 3)

- 18 After the faults have been cleared turn the Control key switch to the off position and the screen will now display:

Status Normal
Date Time

11. How To Put Zones Into Test (Testing Devices)

To put zones into to test 5000 FirePoint, insert the key into the panel controls keyswitch, Located at the right of the panel. Turn the key to the on position.

Step No	Action	Screen Display
1	Turn the key to the on position and the screen will display:	<pre> Panel in Access Date Time </pre>
2	Press 0 key and the screen will now display:	<pre> ***Options **** >Passwords < Time and Date Yes =Select Time </pre>
3	Press Yes key and the screen will now display:	<pre> *PIN's and ACCESS* >User Log ON < View Users Yes =Select Time </pre>
4	Press Yes key and the screen will now display:	<pre> Enter Your PIN To Log On > _ Then Press YES Time </pre>
5	Enter 221100 and press the Yes key and the screen will now display:	<pre> ***** * Welcome Engineer * ***** Push Any Key Time </pre>
6	Press Any key and the screen will now display:	<pre> ***Options **** >Passwords < Time and Date Yes =Select Time </pre>
7	Press ↓ key three times and the screen will now display:	<pre> Logging >Fire System Opts< Remote Access Yes= Select Time </pre>
8	Press Yes key and the screen will now display:	<pre> ** Fire system ** >Dev. Isolate/Test< Net. Isolate/Test Yes= Select Time </pre>
9	Press ↓ key twice and the screen will now display:	<pre> Net. Isolate/Test >Zone. Isolate/Test < Brigade Isolate Yes= Select Time </pre>

EMS 5000 FIREPOINT

10 Press **Yes key** and the screen will now display:

```
| ** Zone Status ** |
>Zone is: 01      <
|Status : ALL    |
Yes= Select      Time
```

11 Press **↓ key** once and the screen will now display: (Make **note** of the status the zones is in e.g. ALL, the status will need to be changed back Later)

```
|Zone is : 01    |
>Status : ALL    <
|^^^^^^^^^^^^^^|
Yes= Select      Time
```

12 Press **Yes key** twice and the screen will now display: (notice as the Y key is press the status changes)

```
|Zone is : 01    |
>Status : Test   <
|^^^^^^^^^^^^^^|
Yes= Select      Time
```

13 Press **↑ key** once and the screen will now display:

```
| ** Zone Status ** |
>Zone is: 01      <
|Status : Test    |
Yes= Select      Time
```

14 Press **Yes key** and the screen will now display:

```
| ** Zone Status ** |
>Zone is: 02      <
|Status : ALL    |
Yes= Select      Time
```

15 Press **↓ key** once and the screen will now display:

```
|Zone is : 02    |
>Status : ALL    <
|^^^^^^^^^^^^^^|
Yes= Select      Time
```

16 Press **Yes key** twice and the screen will now display: (notice as the Y key is press the status changes)

```
|Zone is : 02    |
>Status : Test   <
|^^^^^^^^^^^^^^|
Yes= Select      Time
```

This needs to be repeated until all the zones are in test, then continue to step 17

17 Press **No key** three times and the screen will now display:

```
Panel in Access
Date           Time
```

18 Turn the **Control key** switch to the off position and the screen will now display:

```
Status Normal
Date           Time
```

The devices are now ready to be activated, this includes smoking detectors and triggering call points. When a device is activated the 5000 FirePoint will go into fire, the display will show TEST ALARM and display the device number and text description. The Sounders/Relays will not activate.

NOTE: When smoking detectors the LED stays on for 20 minutes.

NOTE: FOR MULTI PANEL INSTALLATIONS ALL ZONES ON ALL PANELS MUST BE PUT INTO TEST BEFORE TESTING IS STARTED.

12. How To Take Zones Out Of Test

To take zones out of test and back into original state i.e. all on the 5000 FirePoint. Insert the key into the panel controls keyswitch, located at the right of the panel. Turn the key to the on position.

Step No	Action	Screen Display
1	Turn the key to the on position and the screen will display:	<div style="border: 1px solid black; padding: 5px; text-align: center;"> <p>Panel in Access</p> <p>Date Time</p> </div>
2	Press 0 key and the screen will now display:	<div style="border: 1px solid black; padding: 5px; text-align: center;"> <p> ***Options **** </p> <p>>Passwords <</p> <p> Time and Date </p> <p>Yes =Select Time</p> </div>
3	Press Yes key and the screen will now display:	<div style="border: 1px solid black; padding: 5px; text-align: center;"> <p> *PIN's and ACCESS* </p> <p>>User Log ON <</p> <p> View Users </p> <p>Yes =Select Time</p> </div>
4	Press Yes key and the screen will now display:	<div style="border: 1px solid black; padding: 5px; text-align: center;"> <p>Enter Your PIN</p> <p>To Log On >_</p> <p>Then Press YES</p> <p style="text-align: right;">Time</p> </div>
5	Enter 221100 and press the Yes key and the screen will now display:	<div style="border: 1px solid black; padding: 5px; text-align: center;"> <p>*****</p> <p>* Welcome Engineer *</p> <p>*****</p> <p>Push Any Key Time</p> </div>
6	Press Any key and the screen will now display:	<div style="border: 1px solid black; padding: 5px; text-align: center;"> <p> ***Options **** </p> <p>>Passwords <</p> <p> Time and Date </p> <p>Yes =Select Time</p> </div>
7	Press ↓ key three times and the screen will now display:	<div style="border: 1px solid black; padding: 5px; text-align: center;"> <p> Logging </p> <p>>Fire System Opts<</p> <p> Remote Access </p> <p>Yes= Select Time</p> </div>
8	Press Yes key and the screen will now display:	<div style="border: 1px solid black; padding: 5px; text-align: center;"> <p> ** Fire system ** </p> <p>>Dev. Isolate/Test<</p> <p> Net. Isolate/Test </p> <p>Yes= Select Time</p> </div>
9	Press ↓ key twice and the screen will now display:	<div style="border: 1px solid black; padding: 5px; text-align: center;"> <p> Net. Isolate/Test </p> <p>>Zone. Isolate/Test <</p> <p> Brigade Isolate </p> <p>Yes= Select Time</p> </div>

EMS 5000 FIREPOINT

10 Press **Yes key** and the screen will now display:

```
| ** Zone Status ** |
>Zone is: 01      <
|Status  : Test  |
Yes= Select      Time
```

11 Press ↓ **key** once and the screen will now display:

```
|Zone is   : 01      |
>Status   : Test    <
|^^^^^^^^^^^^^^^^^^|
Yes= Select      Time
```

12 Press **Yes key** three times and the screen will now display: (This puts the status back to ALL)

```
|Zone is   : 01      |
>Status   : ALL     <
|^^^^^^^^^^^^^^^^^^|
Yes= Select      Time
```

13 Press ↑ **key** once and the screen will now display:

```
| ** Zone Status ** |
>Zone is: 01      <
|Status  : ALL    |
Yes= Select      Time
```

14 Press **Yes key** and the screen will now display:

```
| ** Zone Status ** |
>Zone is: 02      <
|Status  : Test    |
Yes= Select      Time
```

15 Press ↓ **key** once and the screen will now display:

```
|Zone is   : 02      |
>Status   : Test    <
|^^^^^^^^^^^^^^^^^^|
Yes= Select      Time
```

16 Press **Yes key** three time and the screen will now display: (notice as the Y key is press the status changes)

```
|Zone is   : 02      |
>Status   : ALL     <
|^^^^^^^^^^^^^^^^^^|
Yes= Select      Time
```

This needs to be repeated until all the zones are set back to ALL, then continue to step 17

17 Press **No key** three times and the screen will now display:

```
Panel in Access
Date           Time
```

18 Turn the **Control key** switch to the off position and the screen will now display:

```
Status Normal
Date           Time
```

13. How To Put All The Zones Into Test Across A Network

How to put all the zones into test across a network (depending on software version) on the 5000 FirePoint. Insert the key into the panel controls keyswitch, located at the right of the panel.

Step No	Action	Screen Display
1	Turn the key to the on position and the screen will display:	<div style="border: 1px solid black; padding: 5px; text-align: center;"> <p>Panel in Access</p> <p>Date Time</p> </div>
2	Press 0 key and the screen will now display:	<div style="border: 1px solid black; padding: 5px; text-align: center;"> <p> ** Fire system ** </p> <p>>Dev. Isolate/Test<</p> <p> Net. Isolate/Test </p> <p>Yes= Select Time</p> </div>
3	Press ↓ key four times and the screen will display:	<div style="border: 1px solid black; padding: 5px; text-align: center;"> <p> Brigade Isolate </p> <p>>Engineers Config<</p> <p> Printer Options </p> <p>Yes= Select Time</p> </div>
4	Press Yes key and the screen will now display:	<div style="border: 1px solid black; padding: 5px; text-align: center;"> <p>Enter Your PIN</p> <p>For Access></p> <p>Then Press YES</p> <p>Time</p> </div>
5	Press 221100 then press Yes key and the screen will display:	<div style="border: 1px solid black; padding: 5px; text-align: center;"> <p> ** Eng.; Config ** </p> <p>>Device Database <</p> <p> Sounder Options </p> <p>Yes= Select Time</p> </div>
6	Press Number 8 on the keypad and the screen will now display: (number 8 is a quick move key that take you to the bottom of the menu)	<div style="border: 1px solid black; padding: 5px; text-align: center;"> <p> Reset System </p> <p>>Lan Options <</p> <p> ^^^^^^^^^^^^^^^^^ </p> <p>Yes= Select Time</p> </div>
7	Press ↑ key once and the screen will now display:	<div style="border: 1px solid black; padding: 5px; text-align: center;"> <p> Reset Security </p> <p>>Reset System <</p> <p> Lan Options </p> <p>Yes= Select Time</p> </div>
8	Press Yes key followed 0 key on the keypad the screen will now display:	<div style="border: 1px solid black; padding: 5px; text-align: center;"> <p> ** Main Menu ** </p> <p>>Pins & Access <</p> <p> System Support </p> <p>Yes= Select Time</p> </div>
9	Press Number 8 on the keypad and the screen will now display: (number 8 is a quick move key that take you to the bottom of the menu)	<div style="border: 1px solid black; padding: 5px; text-align: center;"> <p> Radio Lan </p> <p>>Fire DB <</p> <p> ^^^^^^^^^^^^^^^^^ </p> <p>Yes= Select Time</p> </div>
10	Press Yes key and the screen will now display:	<div style="border: 1px solid black; padding: 5px; text-align: center;"> <p> ** Lan Fire DB ** </p> <p>>H/W Local Panels <</p> <p> Mimic </p> <p>Yes= Select Time</p> </div>

EMS 5000 FIREPOINT

11 Press ↓ **key** two times and the screen will display:

```
|Mimic      |
>Advanced  <
|^^^^^^^^^^|
Yes= Select   Time
```

12 Press **Yes key** and the screen will now display:

```
|*** Advanced ***|
>Get Slave Bus Lsts <
|^^^^^^^^^^^|
Yes= Select   Time
```

13 Press ↓ **key** six times and the screen will display:

```
|Local Mimic |
>Set Zones   <
|Announce All Clear |
Yes= Select   Time
```

14 Press **Yes key** and the screen will now display:

```
|* Set All Zones * |
>SINGLE             <
|ALL               |
Yes= Select        Time
```

15 Press ↓ **key** three times and the screen will display:

```
|TWO PHASE |
>TEST      <
|ISOLATED  |
Yes= Select   Time
```

16 Press **Yes key**, the screen will stay the same but the **test LED** will start flashing to show that all the zones are in test.

```
|TWO PHASE |
>TEST      <
|ISOLATED  |
Yes= Select   Time
```

NOTE: Check the other panels to make sure the test LED is flashing to ensure no Sounders/Relays will activate.

14. How To Take All The Zones Out Of Test Across A Network

How to take all the zones out of test across a network (depending on software version) on the 5000 FirePoint. Insert the key into the panel controls keyswitch, located at the right of the panel.

Step No	Action	Screen Display
1	Turn the key to the on position and the screen will display:	<pre>Panel in Access Date Time</pre>
2	Press 0 key and the screen will now display:	<pre>** Fire system ** >Dev. Isolate/Test< Net. Isolate/Test Yes= Select Time</pre>
3	Press ↓ key four times and the screen will display:	<pre> Brigade Isolate >Engineers Config< Printer Options Yes= Select Time</pre>

EMS 5000 FIREPOINT

4 Press **Yes key** and the screen will now display:

```

Enter Your PIN
For Access>
Then Press YES
Time
    
```

5 Press **221100** then press **Yes key** and the screen will display:

```

|** Eng.; Config **|
>Device Database <
|Sounder Options |
Yes= Select Time
    
```

6 Press **Number 8** on the keypad and the screen will now display: (number 8 is a quick move key that take you to the bottom of the menu)

```

|Reset System |
>Lan Options <
|^^^^^^^^^^^^^^^^|
Yes= Select Time
    
```

7 Press **↑ key** once and the screen will now display:

```

|Reset Security |
>Reset System <
|Lan Options |
Yes= Select Time
    
```

8 Press **Yes key** followed **0 key** on the keypad the screen will now display:

```

|** Main Menu **|
>Pins & Access <
|System Support |
Yes= Select Time
    
```

9 Press **Number 8** on the keypad and the screen will now display: (number 8 is a quick move key that take you to the bottom of the menu)

```

| Radio Lan |
>Fire DB <
|^^^^^^^^^^^^^^^^|
Yes= Select Time
    
```

10 Press **Yes key** and the screen will now display:

```

|** Lan Fire DB **|
>H/W Local Panels <
|Mimic |
Yes= Select Time
    
```

11 Press **↓ key** two times and the screen will display:

```

|Mimic |
>Advanced <
|^^^^^^^^^^^^^^^^|
Yes= Select Time
    
```

12 Press **Yes key** and the screen will now display:

```

|*** Advanced ***|
>Get Slave Bus Lsts <
|^^^^^^^^^^^^^^^^|
Yes= Select Time
    
```

13 Press **↓ key** six times and the screen will display:

```

|Local Mimic |
>Set Zones <
|Announce All Clear |
Yes= Select Time
    
```

14 Press **Yes key** and the screen will now display:

```

|* Set All Zones *|
>SINGLE <
|ALL |
Yes= Select Time
    
```

15 Press ↓ **key** one times and the screen will display:

```
| SINGLE          |
>ALL             <
| TWO PHASE      |
Yes= Select      Time
```

16 Press **Yes key**, the screen will stay the same but the **test LED** will start flashing to show that all the zones are in test.

```
| SINGLE          |
>ALL             <
| TWO PHASE      |
Yes= Select      Time
```

NOTE: Check the other panels to make sure the test LED has stopped flashing to ensure Sounders/Relays are ready to activate.

15. How To Test Individual Sounders

To test individual sounders on the 5000 FirePoint, insert the key into the panel controls keyswitch, located at the right of the panel.

Step No	Action	Screen Display
1	Turn the key to the on position and the screen will display:	<pre>Panel in Access Date Time</pre>
2	Press 0 key and the screen will now display:	<pre> ***Options **** >Passwords < Time and Date Yes =Select Time</pre>
3	Press ↓ key three times and the screen will display:	<pre> Logging >Fire System Opt< Remote Access Yes = select Time</pre>
4	Press Yes key and the screen will now display:	<pre>** Fire system ** >Dev. Isolate/Test< Net. Isolate/Test Yes= Select Time</pre>
5	Press ↓ key four times and the screen will display:	<pre> Brigade Isolate >Engineers Config< Printer Options Yes= Select Time</pre>
6	Press Yes key and the screen will now display:	<pre>Enter Your PIN For Access> Then Press YES Time</pre>

EMS 5000 FIREPOINT

7 Press **221100** then press **Yes key** and the screen will display:

```

|** Eng.; Config **|
>Device Database <
|Sounder Options |
Yes= Select Time
    
```

8 Press **↓ key** once and the screen will display:

```

|Device Database |
>Sounder Options <
|List Options |
Yes= Select Time
    
```

9 Press **Yes key twice** and the screen will now display: (the first press of Y enters you into the sounder options menu the second press of Y does a configure stop)

```

|Sounder Config |
>Configure STOP <
|Configure START |
Yes= Select Time
    
```

10 Press **↓ key** twice and the screen will display:

```

|Configure START |
>Configure ONE <
^^^^^^^^^^^^^^^^
Yes= Select Time
    
```

11 Press **Yes key** and the screen will now display:

```

|** Configure ** |
>Sounder : ALL CFGD<
|Action : FIRE |
Yes= Select Time
    
```

12 Press the **Yes key** to toggle though the device numbers until you get to the sounder that requires testing. (e.g. 025)

```

|** Configure ** |
>Sounder : 025 <
|Action : FIRE |
Yes= Select Time
    
```

13 Press **↓ key** once and the screen will display:

```

|Sounder : 025 |
>Action : FIRE <
|Do Action |
Yes= Select Time
    
```

14 Press **Yes key** to toggle though the different types of action commands. (E.g. press Y key seven times takes you to test)

```

|Sounder : 025 |
>Action : TEST <
|Do Action |
Yes= Select Time
    
```

There are 11 different types are actions :-

- a) FIRE: The selected sounder will activate with the fire tone.**
- b) EVAC: The selected sounder will activate with the evacuate tone.**
- c) BOMB: The selected sounder will activate with the bomb tone.**
- d) LESS GHNG: The selected sounder will do a set of lesson change beeps.**
- e) AUX ON : Not Used**

- f) **ALL OFF:** The selected sounder will stop sounding. (i.e. Silence)
- g) **RX TEST:** The receiver in the selected sounder will be sent a test message, the sounder will receive the message and send an acknowledgement message back to the 5000 FirePoint panel.
- h) **TEST:** The selected sounder will sound for four seconds and then turn off. The sounder will listen to it self and send an acknowledgement message back to the 5000 FirePoint panel.
- i) **SET SYS:** The 5000 FirePoint panel will send a message to the select sounder, which sets the system code in the selected sounder. The sounder then sends an acknowledgement message back to the 5000 FirePoint panel.
- j) **JOIN GRP:** The 5000 FirePoint panel will send the zone information to the selected sounder, the selected sounder sends an acknowledgement back to the 5000 FirePoint panel.
- k) **SET LS CH:** The 5000 FirePoint panel will send a message to the selected sounder which enables the lesson change, feature for the device.

15 Press ↓ **key** once and the screen will display:

```
|Action : TEST |  
>Do Action <  
|AAAAAAAAAAAAAAAA|  
Yes= Select Time
```

16 Press **Yes key** and the screen will now display:

```
Device 025 Timer 9  
Retry 07 REPLY NONE  
  
Push Any Key Time
```

This timer will count down to 0, when the timer reaches 0 the retry should change to 6 and a message is sent to the sounder. If not, that means the panel is still busy and the timer will start again, when the retry number decreases listen for the selected sounder to activate. When the selected sounder has activated it sounds for four seconds and resets itself, watch the display for the acknowledgement message. (ACK)

```
Device 025 Timer 5  
Retry 04 REPLY ACK  
  
Push Any Key Time
```

If the acknowledgement message has been received and a fault has not been reported the test is now complete.

EMS 5000 FIREPOINT

17 Press **Any key** and the screen will now display:

```
|Action : TEST |  
>Do Action <  
|^^^^^^^^^^^^^^^^^^|  
Yes= Select Time
```

18 Press ↑ **key** twice and the screen will now display:

```
|** Configure ** |  
>Sounder : 025 <  
|Action : FIRE |  
Yes= Select Time
```

If you want to test another sounder repeat from step 13. If you have finished testing press the No key until your back to the main screen and turn the key to the off position

```
Status Normal  
  
Date Time
```

16. Fault List

Control Panel Faults	Description In Log	Sympton
MN	Mains Input Failed.	Check 230 volt supply and the fuse.
BT	Battery Charging Fail.	Check the battery connection and the fuse.
AT	Main Receiver, Aerial Tamper.	Check the aerial connections, make sure they're secure in the BNC. For tight connection, also check the base of the stub aerial or coax and make sure the 4k7 resistance is there.
RI	Radio Interference	Check the radio interference threshold is set to 255, if so then there is excessive interference in the air and the cause will have to be identified.
OL	Node Offline	Check the LAN module is on-line and re-online node
CK	Checksum Changed	Check the checksum is set to logged in the panel hardware menu, reset the checksum data in the main menu.
PR	Processor Reset	Silence and reset fault with the control key switch in the on position. (This happens when warm start the panel)
T/X	UHF Txer Failed Health Check	Check the ribbon Cables on radio pcb. Check the pager port is not redirected.
Tamper	In To Tamper	Check the device or unit to ensure its not open or been taken down. Check the tamper switches are close and making good contact.
H/W Bus node offline	H/W Bus Node Offline	Check the RS485 BUS connections on panel and module. Try restarting the RS 485 BUS
Fire	Into Fire	A device has activated.
Test Alarm	Into Test Alarm	All zones in test for No-sounder activation, for testing devices.
Fault	Head Missing	This occurs when a device head has been removed.

Fault	A Supply Management	This occurs when a fault is found on the batteries on a device. (Low voltage)
Fault	B Supply Management	This occurs when a fault is found on the batteries on a device. (Low voltage)
Fault	C Supply Management	This occurs when a fault is found on the batteries on a device. (Battery missing)
Fault	Intermittent Device Signal	This occurs when the device has not called in within the call in period. Check the call in time and ensuring its set to 255. Also try double basing the device or moving the VHF high gain aerial.
Fault	New Head	This occurs when a new device head has been inserted or the sensitivity settings have been change.
Fault	No ACK Received	This occurs when an acknowledgement signal has not been received from a device after a command has been sent to that device. Take the device to the panel and try Sending another command to test the transmitter and the receiver.
Fault	Radio LAN Node: 2 (Off-Line)	This occurs when one of the networked panels fails to communicate the master and vice-versa. Check the LAN module is on online also check connections, try re-on lining the node from slave and master, check the settings.
Fault	Open Circuit	This occurs when a inputs resisters have been removed.
Fault	Short Circuit	This occurs when a input is shorted out.
Fault	Condition Ready	This occurs when an input is back in a normal state.

17. Do's and Don'ts

Don't place any aerials near metalwork and keep aerials 2 meters away from all electrical equipment, all tips of aerials must stay away from any obstruction.

Always pinch and twist on helical aerials to ensure good connection.

Always make sure the correct aerial is on the right colour.

When testing devices, always put the zones into test so no sounders are sounded.

Don't change device zones with the fire LED display lit.

Don't warm start the panel to clear device faults.

Always look in the event log for fault description.

Always take the system off watch before testing devices or activating the system.

When accessing the engineer's config menu always go through reset system to lock the keypad.

Always warm start the panel after entering a TSA set-up to refresh the panel.

Always use industry standard fire rated cable, all screened cable should only be earthed at one end.



Third Party Accredited
ISO 9001 ■ ISO 13485 ■ ISO 14001

The information contained within this literature is correct at time of publishing. The EMS Security Group Ltd reserves the right to change any information regarding products as part of its continual development enhancing new technology and reliability. The EMS Group advises that any product literature issue numbers are checked with its head office prior to any formal specification being written.