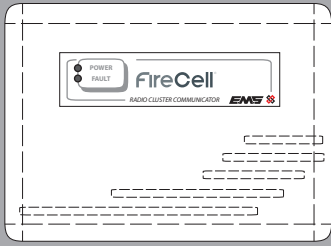


24Vdc Radio Cluster Communicator (RCC) Installation Guide



1 Pre Installation

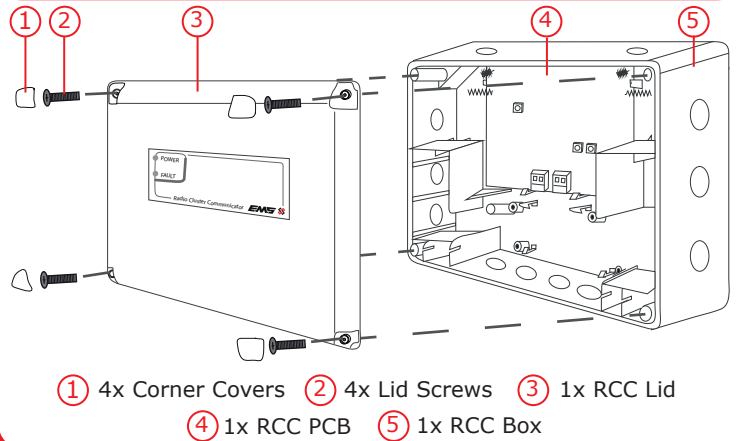


Installation must conform to applicable local installation codes and should only be installed by a fully trained competent person.

- Ensure the RCC is installed as per the site survey.
- Refer to step 3 to ensure optimised wireless performance.
- If using remote aerials with this product, refer to the Remote Aerial Installation guide for more information.



2 Components



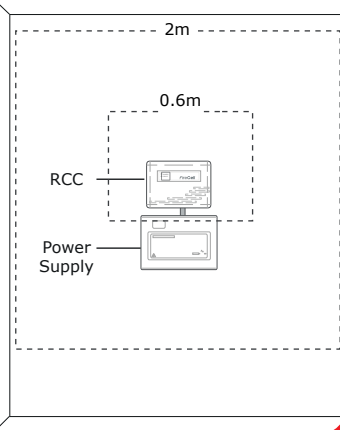
3 Mounting Location Guidelines



For optimum wireless performance, the following must be observed:

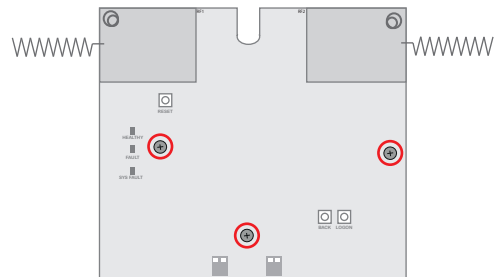
- Ensure the RCC is not installed within 2m of other wireless or electrical equipment.
- The RCC must not be installed within 0.6m of any metal work.

Note: the above points exclude the power supply, provided it is mounted below the RCC as shown.



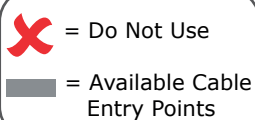
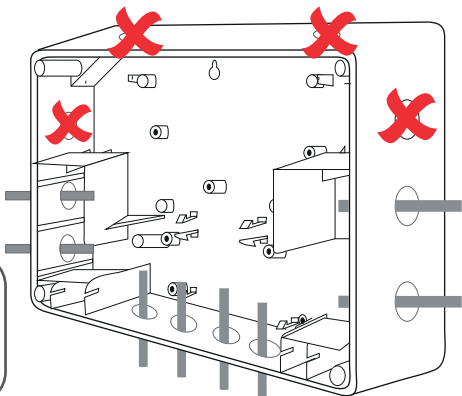
4 Optional PCB Removal

- Remove the three circled retaining screws, before unclipping the PCB.



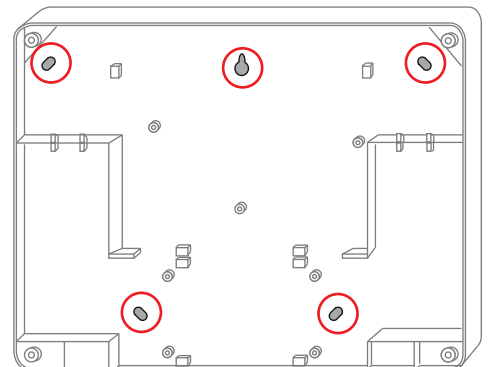
5 Remove Cable Entry Points

- Drill the cable entry points as necessary.



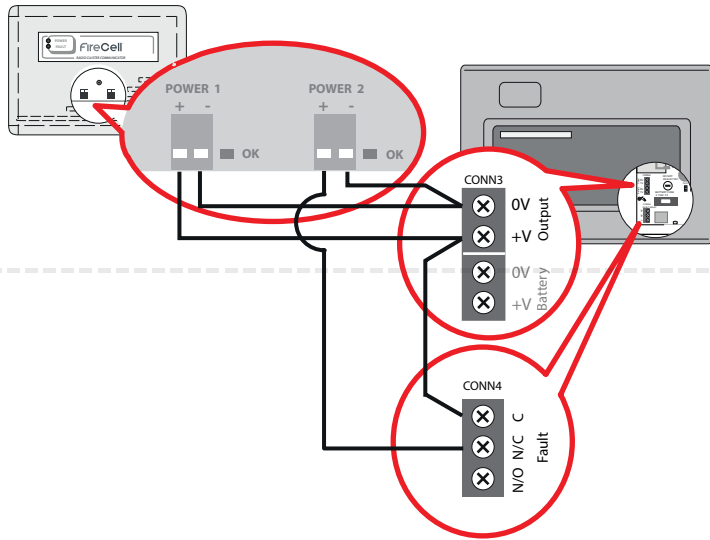
6 Fix to the Wall

- All five circled fixing positions are available for use.
- The key hole can also be used for locating and fixing where required.



7 Connection Wiring

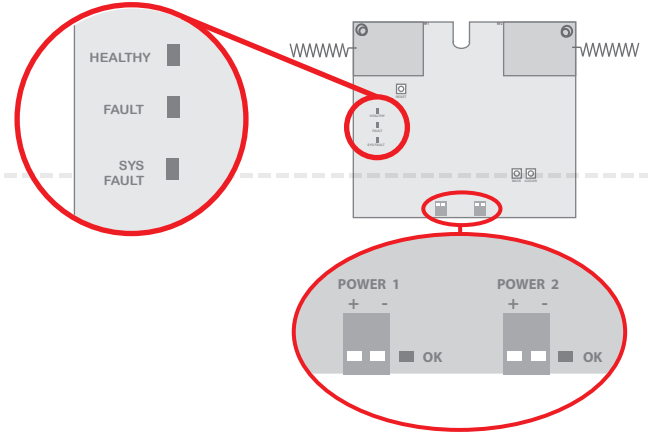
- Power cables should only be passed via the access points available.
- Flame retardant cable glands should be used.
- DO NOT leave excess cable in the RCC.



8 Applying Power

Apply power to the power supply. The normal LED states for the RCC are as below:

- Healthy LED - Green LED will be on.
- Fault LED - Yellow LED will be off.
- Sys Fault LED - Yellow LED will be off.
- Power 1 LED - Green LED will be on.
- Power 2 LED - Green LED will be on.



9 Configuration

The RCC's programming and loop address are configured within the menu structure of the Radio Hub.

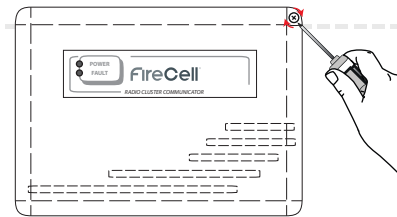
- Refer to the programming manual (Doc Ref: MK98) for full programming information.



Free to download from www.emsgroup.co.uk

10 Close RCC

- Ensure that the RCC PCB is correctly inserted and the PCB retaining screws are refitted.
- Refit the RCC lid, ensuring LEDs are not damaged by the light pipe when refitting.



Specification

Operating Temperature	-10°C to 55°C
Storage Temperature	5°C to 30°C
Humidity	Up to 95% non-condensing
IP Rating	IP54
Operating Voltage	17 to 28Vdc
Power Requirements	17mA @ 24Vdc
Operating Frequency	868MHz
Output Transmitter Power	Auto adjusting 0 - 14 dBm (0 - 25 mW)
Dimensions	270mm (W) 205mm (H) 75mm (D)
Weight	0.95kg
Application	Indoor use only

Regulatory Information

Manufacturer	EMS Ltd. Technology House, Herne Bay, Kent, CT6 8JZ, United Kingdom
Year of manufacture	See devices serial number label
Certification	CE 12
Certification body	0359
CPR Certificate DOP	0359-CPR-0046
Approved to	EN54-18:2005. Fire detection and fire alarm systems. Part 18: Input/output devices. EN54-25:2008. Incorporating corrigenda September 2010 and March 2012. Fire detection and fire alarm systems. Part 25: Components using radio links.
European Union directives	EMS declares that the radio equipment type FireCell 24Vdc RCC is in compliance with Directive 2014/53/EU. The full text of the EU declaration of conformity is available at the following internet address: www.emsgroup.co.uk



2012/19/EU (WEEE directive): Products marked with this symbol cannot be disposed of as unsorted municipal waste in the European Union. For proper recycling, return this product to your local supplier upon purchase of equivalent new equipment, or dispose of it at designated collection points. For more information see www.recyclethis.info