

7930 OPERATING INSTRUCTIONS

Introduction

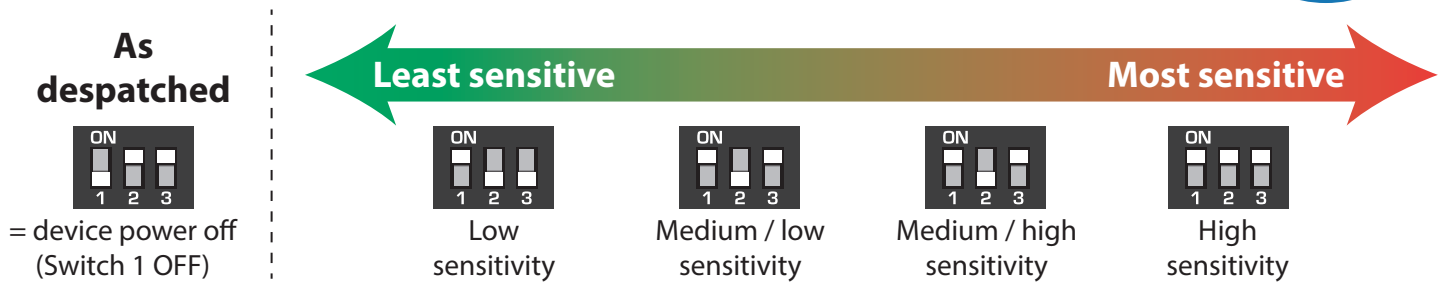
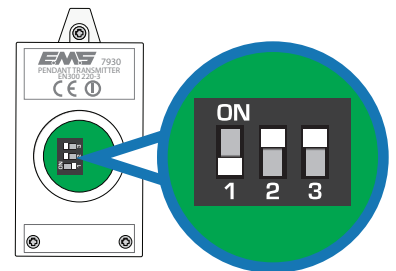
The 7930 is an asset protection transmitter that can be used to monitor priceless artefacts and works of art, that are on display and easily accessible. Transmitters can be discreetly placed, without taking away the enjoyment of viewing interesting historical objects. Movement of the protected item immediately alerts staff or management ensuring swift and effective action, minimising risk.

Refer to the Iris+ Installation Guide (MK192) for details on adding the device to the system.

Transmitter Powering & Sensitivity

The 7930 transmitter is dispatched down powered to save battery life.

The unit has 3 internal switches. Switch 1 determines device power (on or off), whilst switches 2 and 3 control the device's sensitivity. Available settings are shown below:



Device application

The unit will respond to acceleration above a pre-set limit in the direction of A, B or C or any combination of the three (see figure 1).

The best way to protect a conventionally mounted painting is to suspend the unit from the underside of the top horizontal stretcher, slightly away from the vertical stretcher (approx. 5-8mm, see figure 2).

The use of the gold plated suspension springs allow the unit to freely rotate and allows a certain amount of protection from natural vibrations. When the picture is disturbed the unit bumps against the side or front and will trigger an alarm condition.

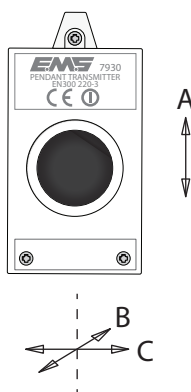


Figure 1

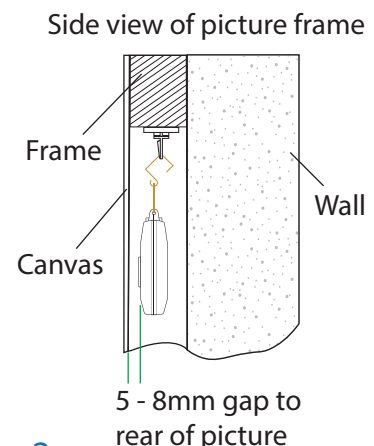
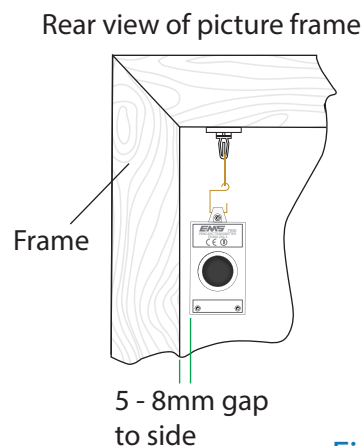


Figure 2

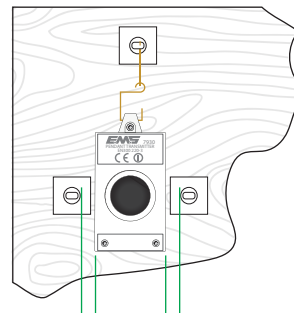
In the event of a picture being painted on a solid background, two additional posts should be mounted as shown in figure 3.

Once installed the device must be tested to ensure correct operation.

General Maintenance

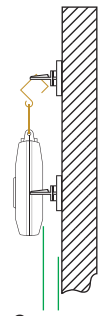
It is recommended that the units are tested weekly to verify correct functionality.

Rear view of picture



5 - 8mm between sensor & pads

Side view



5 - 8mm gap to rear of picture

Figure 3

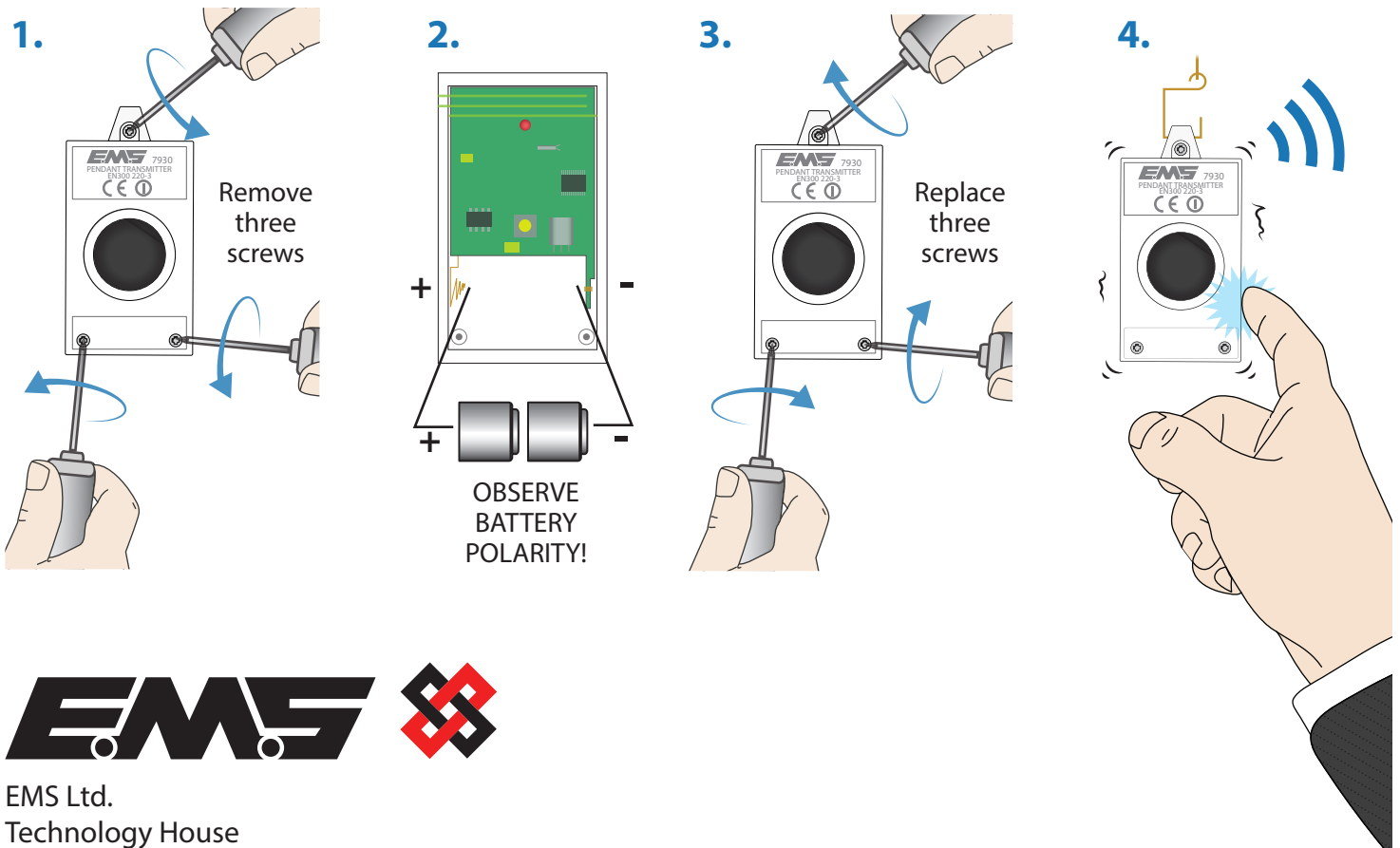
Batteries

The pendant transmitter is supplied with 2 x 1/3 N Lithium Manganese (Li-Mn) Duracell batteries and should provide battery life in excess of one year and should be replaced on the annual maintenance. A battery low fault will be indicated at the receiver when batteries require replacement.

Battery Replacement

To replace the batteries, remove the screw adjacent to the necklet hole, and the two in the opposite corners, using a Philips screwdriver (size zero). Remove the top half of the case by lifting it up. Batteries must be inserted using correct polarity as shown on the polarity label. Replace the case and screw together.

The device must be retested to guarantee correct battery fitting and device functionality.



EMS Ltd.
Technology House
Sea Street, Herne Bay,
Kent, CT6 8JZ.

t: +44 (0) 1227 369570

f: +44 (0) 1227 369679

www.emsgroup.co.uk