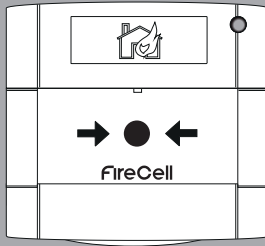


## Wireless Call Point Installation Guide

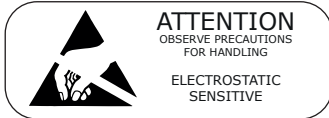


### 1 Pre Installation

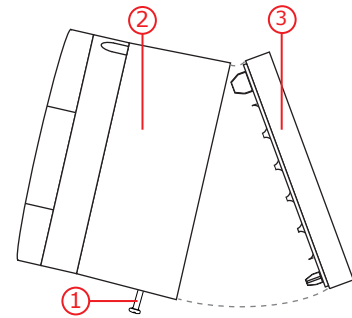


Installation must conform to applicable local installation codes and should only be installed by a fully trained competent person.

- Ensure that the device is installed as per the site survey.
- The use of a non-metallic spacer should be considered if mounting the device on to a metal surface.
- Do NOT Press the Log On button on a pre-programmed device, as this will cause communication with the Control Panel to be lost. Should this happen, delete the device from the system and add it back on.



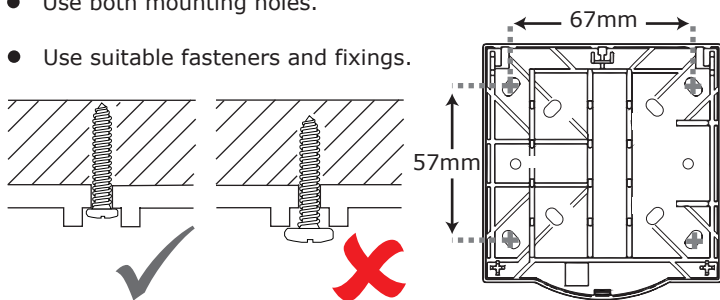
### 2 Components



- ① Fixing Screw    ② Wireless Call Point    ③ Mounting Plate

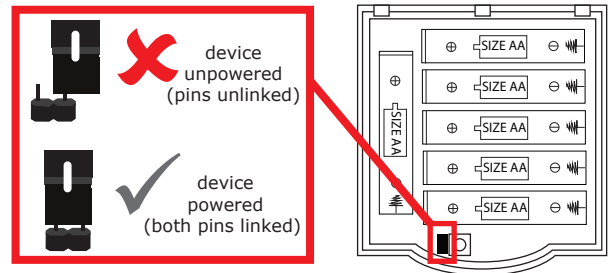
### 3 Fix Mounting Plate

- Remove the mounting plate from the wireless call point. See Step 5 for more information on unlocking the device.
- Ensure mounting plate is fitted in the orientation shown.
- Use both mounting holes.
- Use suitable fasteners and fixings.



### 4 Power Device

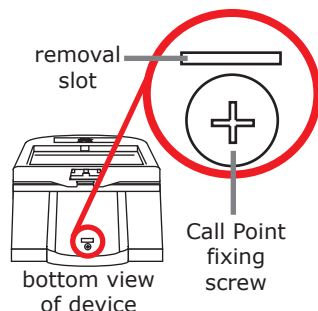
- When fitting / replacing batteries; observe correct polarity, using only specified batteries.
- Connect the power jumper across the PIN header.



- Once powered, reassemble the device.

### 5 Device Locking

- To open the call point, firstly loosen the fixing screw. Secondly insert a flat bladed instrument into the removal slot and unclip the mounting plate.
- When reassembling, observe the hinged connection located on the devices top edge first, prior to closing the unit. Finally lock the call point into the mounting plate by tightening the fixing screw.



### 6 Configuration

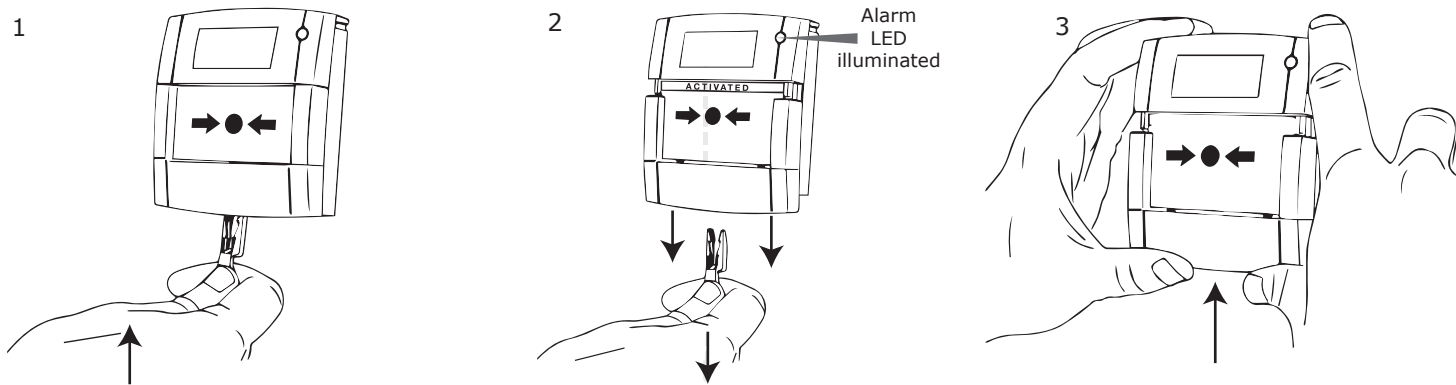
The device's loop address is configured within the menu structure of the Radio Hub.

- Refer to the programming manual (Doc Ref: MK98) for full programming information.

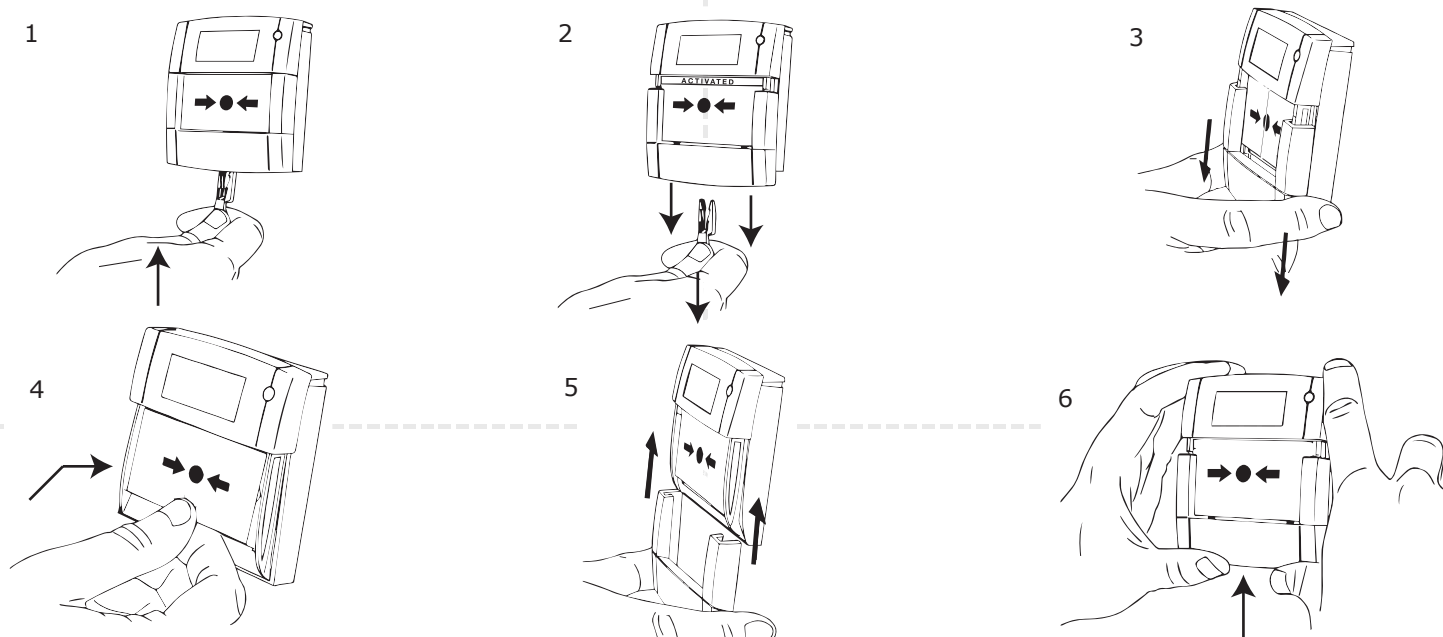


Free to download from  
[www.emsgroup.co.uk](http://www.emsgroup.co.uk)

## Testing and Resetting



## Replacing Elements



## Specification

<b>Operating Temperature</b>	-10°C to 55°C
<b>Storage Temperature</b>	5°C to 30°C
<b>Humidity</b>	Up to 95% non-condensing
<b>Supply</b>	6x AA Alkaline (Panasonic LR6AD Powerline / Varta 4006 Industrial)
<b>CAUTION!</b> Fitting of an incorrect battery type invalidates the product certification and may result in poor performance.	
<b>IP Rating</b>	IP24
<b>Operating Frequency</b>	868MHz
<b>Output Transmitter Power</b>	Auto adjusting 0 - 14 dBm (0 - 25 mW)
<b>Dimensions</b>	89mm (W) 92mm (H) 70mm (D)
<b>Weight</b>	0.40kg
<b>Location</b>	Type A: For indoor use

## Regulatory Information

<b>Manufacturer</b>	EMS Security Group Ltd. Technology House, Herne Bay, Kent, CT6 8JZ, United Kingdom
<b>Year of manufacture</b>	See devices serial number label
<b>Certification</b>	<b>CE 10</b>
<b>Certification body</b>	<b>0359</b>
<b>CPR Certificate DOP</b>	0359-CPR-0038
<b>Approved to</b>	EN54-11:2001. Incorporating Amendment No. 1 and Corrigendum No. 1. Fire detection and fire alarm systems. Part 11: Manual call points. EN54-25:2008. Incorporating corrigenda September 2010 and March 2012. Fire detection and fire alarm systems. Part 25: Components using radio links.
<b>European Union directives</b>	Hereby, EMS declares that the radio equipment type FireCell Wireless Call Point is in compliance with Directive 2014/53/EU. The full text of the EU declaration of conformity is available at the following internet address: <a href="http://www.emsgroup.co.uk">www.emsgroup.co.uk</a> 2012/19/EU (WEEE directive): Products marked with this symbol cannot be disposed of as unsorted municipal waste in the European Union. For proper recycling, return this product to your local supplier upon purchase of equivalent new equipment, or dispose of it at designated collection points. For more information see <a href="http://www.recyclethis.info">www.recyclethis.info</a> Dispose of your batteries in an environmentally friendly manner according to your local regulations.
	