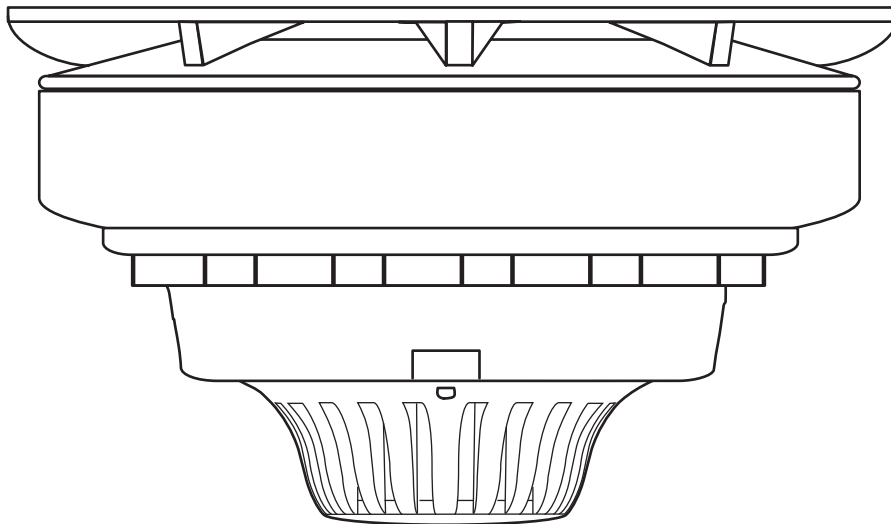




5000 FirePoint



COMBINED SOUNDER / SENSOR

INSTALLATION MANUAL

Logging the device to the system

If the installation has been ordered as a complete system the devices and panel will be supplied already “pre-programmed”. The process of adding radio devices (Callpoints, Detectors, Sounders, Input / Output Units and Transponders) to the System 5000 Control Panel, is largely carried out automatically, by the Panel’s own operating system. It is usual practice for each device to require “logging on” to the system. In such cases, the following action must be taken.

The sounder sensor is shown below in Figure 1 and consists of three separate sections.

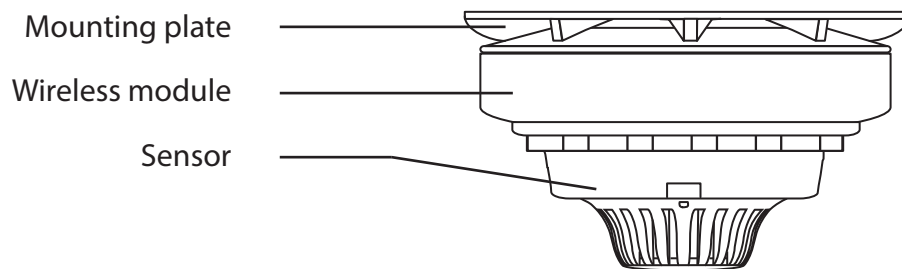


Figure 1

The wireless module can be programmed to the system by the following procedure:

- 1 - Remove the mounting plate by turning it counter clockwise.
- 2 - Ensure the “Logging On” function on the control panel is enabled. Refer to the ‘Engineers Operating Guide’ for full details.
- 3 - Ensure all but one batteries are fitted, leaving out the one that covers the log on button - as shown in Figure 2.

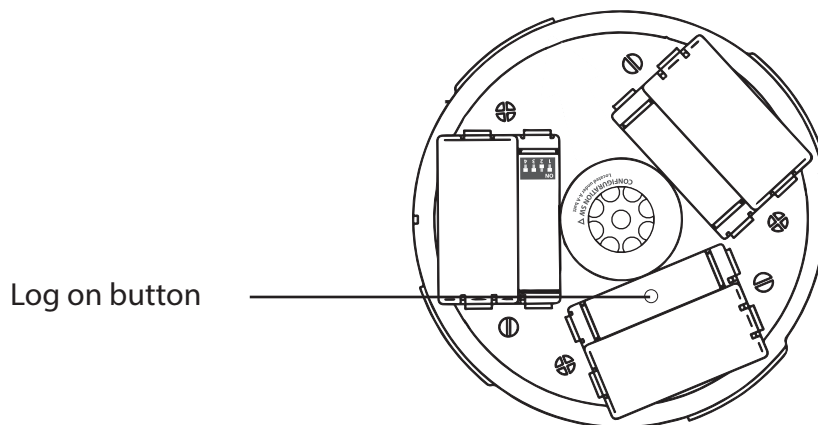


Figure 2

- 4 - Press the log on button for 3 seconds. The message ‘Log On Default Device XXX’ (Where XXX is the device’s address number on the system) will be displayed on the control panel’s front display.
- 5 - After a short time the message ‘Added Default Device XXX’ will be displayed on the control panel’s front display.
- 6 - After approximately 10 seconds ‘New Head Default Device XXX’ will be displayed on the control panel’s front display.
- 7 - Once complete, disable the control panel’s log on feature. Refer to the ‘Engineers Operating Guide’ for full details.

Setting Sensitivity

The device is able to detect either smoke or heat by simply changing the sensor's switch configuration.

This allows easy interchanging between heat and smoke modes without having to purchase a new sensor. The sensitivity switch location is shown in Figure 3.

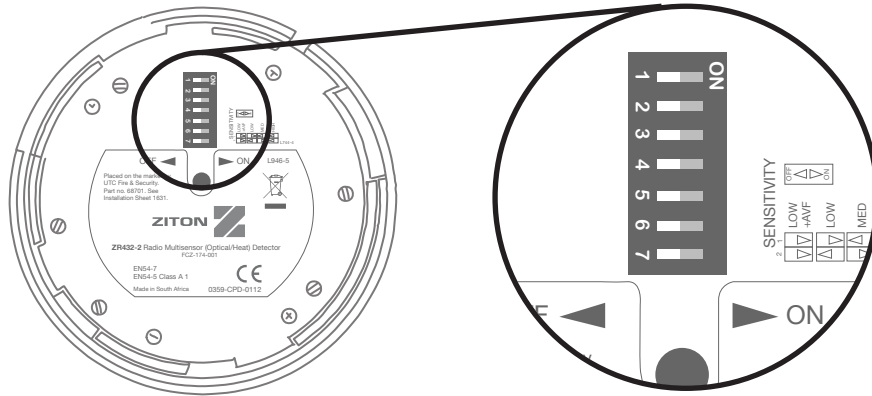


Figure 3

Figures 4 & 5 illustrate the dip switch settings to accomplish the required function from the sensor.

Smoke Sensitivity Settings

Sw 1	Sw 2	Sw 3	Sw 4	Sw 5	Sw 6	Sw 7	Mode of Operation	Smoke Sensitivity % Per M
Off	Off	Off	On	Off	X	On	High Sensitivity	1.6
Off	On	Off	On	Off	X	On	Normal Sensitivity	2.3
On	Off	Off	On	Off	X	On	Low Sensitivity	3.0
On	On	Off	On	Off	X	On	Low Sensitivity + AVF	3.0 + AVF

Figure 4

Heat Sensitivity Settings

Sw 1	Sw 2	Sw 3	Sw 4	Sw 5	Sw 6	Sw 7	Mode of Operation
Off	Off	Off	Off	On	X	On	58°C ROR
Off	On	Off	Off	On	X	On	58°C fixed
On	Off	Off	Off	On	X	On	75°C fixed
On	On	Off	Off	On	X	On	82°C fixed

X – Not Used

ROR – Rate of Rise

AVF - Accelerated Alarm Verification, to prevent false alarms due to transient smoke.

Figure 5

Please Note

The final commissioning, detection sensitivity settings and hand over of the fire system to the end user is the responsibility of the fire installation contractor.

Configuration Switch Settings

The device is dispatched with configuration switches set as per Figure 6.

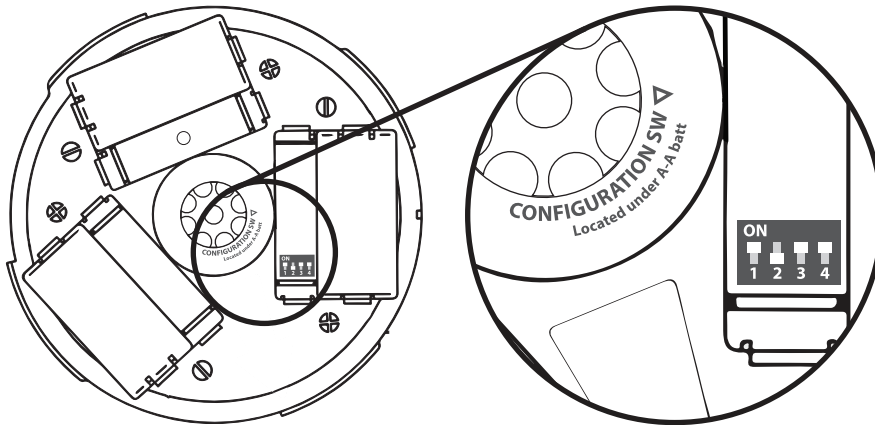


Figure 6

- Switch 1: Tamper = disabled
- Switch 2: Self sound = disabled
- Switches 3/4: Volume = high

Tamper Disablement Feature

The device has a tilt operated tamper switch for removal detection. This feature can be enabled or disabled using Switch 1.

Putting switch 1 to the ON position will disable the devices's tamper monitoring.

Self Sound Feature

The device has the ability to sound immediately upon entering an alarm condition, when the fire panel is used in visual delay mode. It is therefore possible for an individual area to be alerted without evacuating the whole building.

To enable the self-sounding option, switch 2 must be in the ON position.

Sounder Volume

The device's sounder volume can be adjusted using the switches 3 and 4. The switch settings for the volume are shown in figure 7.

Switch settings	High 3 & 4 On	Medium 3 Off 4 On	Low 3 & 4 Off
-----------------	-------------------------	-----------------------------	-------------------------

Figure 7

Optional device locking

It is possible to lock the sensor into the wireless base. Locking is made possible by removing the cut out section as shown in Figure 8.

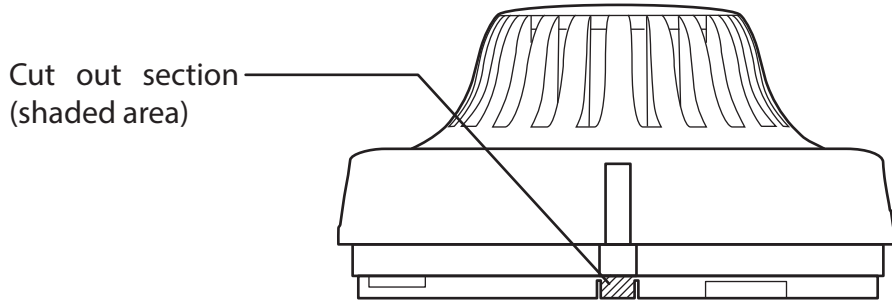


Figure 8

To remove the sensor once locked, insert a flat blade screw driver into the lock release slot (shown in Figure 9) and push the screw driver down into the device to release the mechanism. The sensor should unlock and can now be removed by turning it anticlockwise.

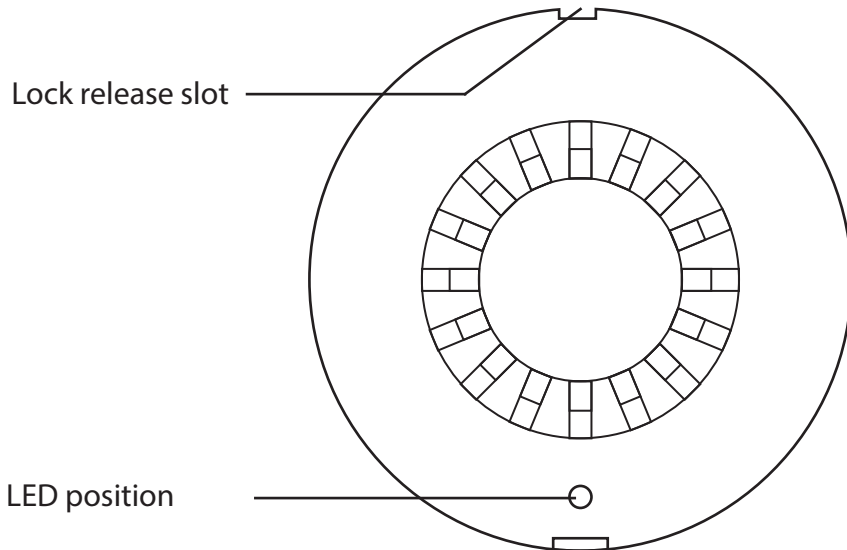


Figure 9

Additional locking of the wireless module into the fixed mounting plate can be achieved by fitting an anti tamper screw. A 5/16 Phillips pan head screw is supplied within the packaging of each unit. To fit the anti tamper screw, the tamper knockout must be removed. The location of the tamper knockout is shown in Figure 10.

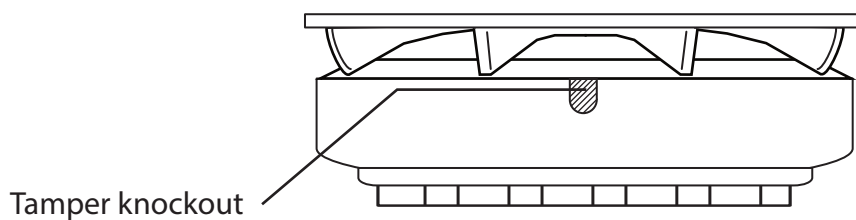


Figure 10



Third Party Accredited

ISO 9001 ■ ISO 13485 ■ ISO 14001

The information contained within this literature is correct at time of publishing. The EMS Security Group Ltd reserves the right to change any information regarding products as part of its continual development enhancing new technology and reliability. The EMS Group advises that any product literature issue numbers are checked with its head office prior to any formal specification being written.