

Radio Network Communicator (RNC) Installation Guide



1 Pre Installation

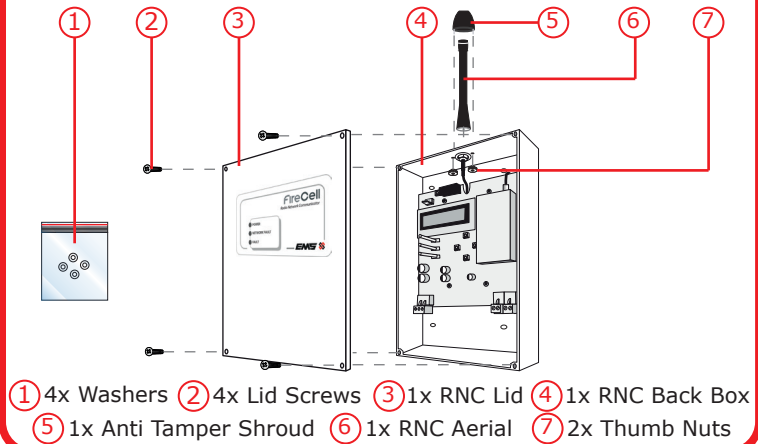


Installation must conform to applicable local installation codes and should only be installed by a fully trained competent person.

- Ensure the RNC is installed as per the site survey.
- Refer to step 3 to ensure optimised wireless performance.
- If using remote aerials with this product, refer to the Remote Network Communicator Installation details document (TSD105) for more information.



2 Components

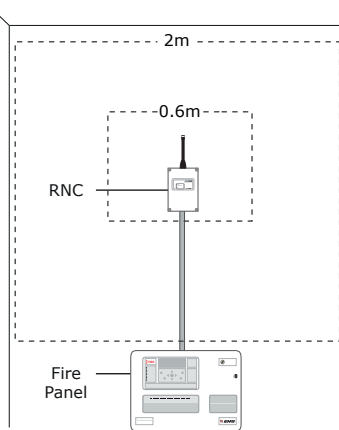


3 Mounting Location Guidelines



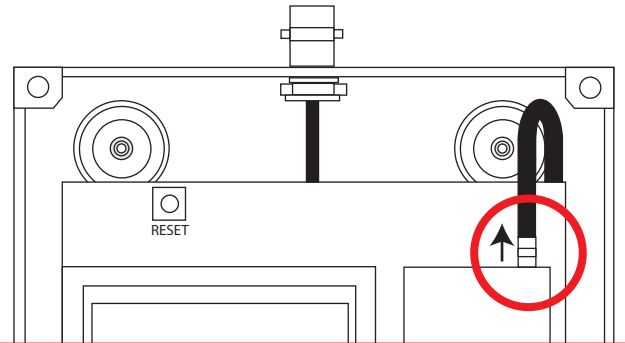
For optimum wireless performance, the following must be observed:

- Ensure the RNC is not installed within 2m of other wireless or electrical equipment (including the Control Panel)
- The RNC's aerial must not be installed within 0.6m of any metal work.
- RNCs connected to Syncro AS panels must also have a high gain aerial fitted, with the aerial and RNC separated by 5m.



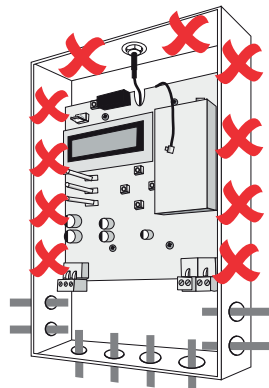
4 Disconnect Aerial Fly Lead

- Carefully remove the Aerial Fly Lead push on connector, ensuring excessive strain is not placed on the lead or connections.



5 Remove Cable Entry Points

- Drill the cable entry points as necessary.

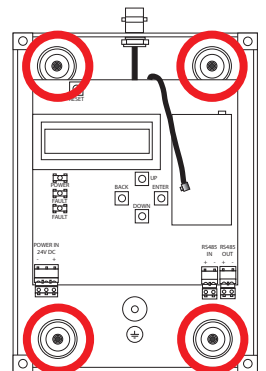
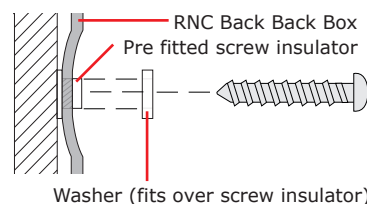


X = Do Not Use

■ = Available Cable Entry Points

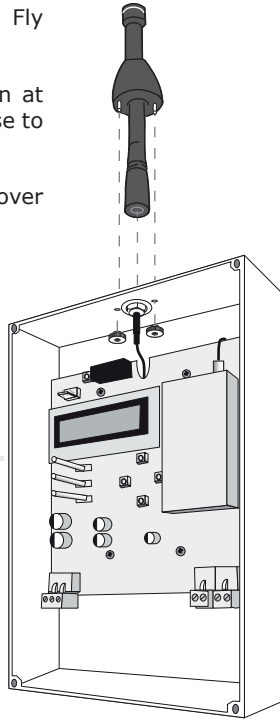
6 Fix to the Wall

- All four circled fixing positions are available for use.
- Ensure that the supplied washers are fitted to all four fixing positions, as shown below.



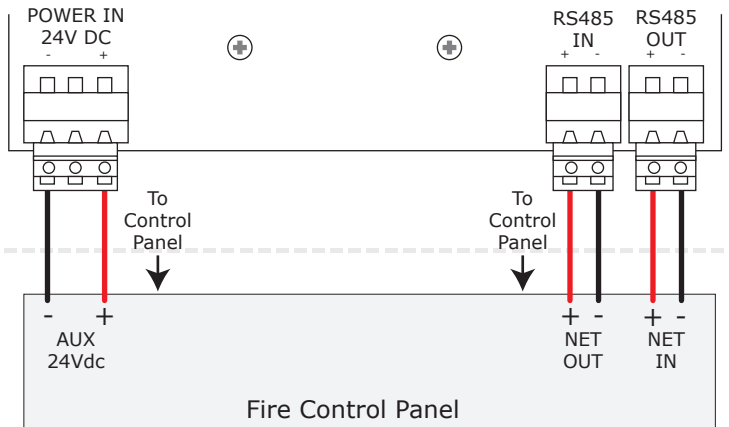
7 Aerial Installation

- Refit the previously removed Aerial Fly Lead connection.
- Fit the Aerial to the BNC connection at the top of the unit and twist clockwise to secure into position.
- Fit the Aerial Anti-Tamper Shroud over the aerial.
- Secure the shroud, by tightening the two Thumb Nuts onto the bottom of the Aerial Shroud as shown.
- Note: If fitting a Remote Aerial to the RNC, replace the standard Aerial shown.
- Refer to the 'Radio Network Communicator Installation Details sheet' (TSD105) for additional information on fitting remote aerials.



8 Connection Wiring

- Cables should only be passed via the access points available.
- Flame retardant cable glands should be used.
- DO NOT leave excess cable in the RNC.
- DO NOT earth the enclosure box.



- Once all connections are made, apply power to the Control Panel.

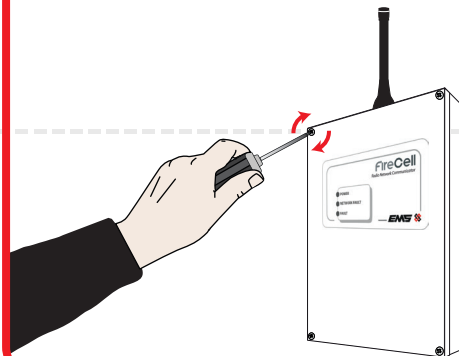
9 Configuration

- Programming is only necessary if the RNC, when powered displays 'Unprogrammed'.
- The RNC's programming is configured within the menu structure of the RNC.
- Refer to the 'RNC Quick Start Guide' (TSD106) for programming information. These details can also be found on the RNC lid.
- If the RNC is displaying a fault, recheck wiring then refer to the 'RNC Programming Manual' (MK137) for full details. (Free to download from www.emsgroup.co.uk)



10 Close RNC

- Refit the RNC Lid to complete the installation.



Specification

Operating Temperature	-10°C to 55°C
Storage Temperature	5°C to 30°C
Humidity	Up to 95% non-condensing
IP Rating	IP54
Operating Voltage	75mA @24Vdc
Operating Frequency	458MHz
Output Transmitter Power	500mW
Dimensions	156mm (W) 228mm (H) 48mm (D)
Weight	0.65kg
Application	Indoor Use Only

Regulatory Information

Manufacturer	EMS Security Group Ltd. Technology House, Herne Bay, Kent, CT6 8JZ, United Kingdom
Year of manufacture	See devices serial number label
Complies with	EN300-220 EN301-489 EN60950
European Union directives	EMS Security Group Ltd hereby declares that this device is in compliance with the essential requirements and other relevant provisions of Directive 2014/53/EU (R&TTE directive).



2012/19/EU (WEEE directive):
Products marked with this symbol cannot be disposed of as unsorted municipal waste in the European Union. For proper recycling, return this product to your local supplier upon purchase of equivalent new equipment, or dispose of it at designated collection points.
For more information see www.recyclethis.info