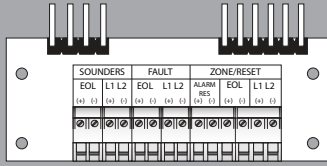
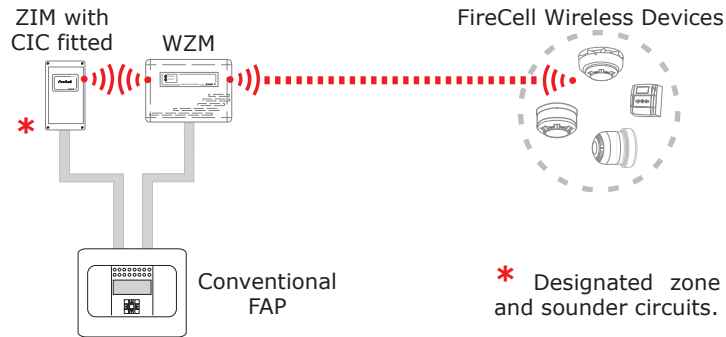


Conventional Interface Card (CIC) Installation Guide



1 Introduction

The Conventional Interface Card (CIC) when fitted to the Zone Interface Module (ZIM), enables 30 FireCell wireless devices to be added to an existing Conventional Fire Alarm Panel (FAP), via a Wireless Zone Monitor (WZM).



2 Pre Installation



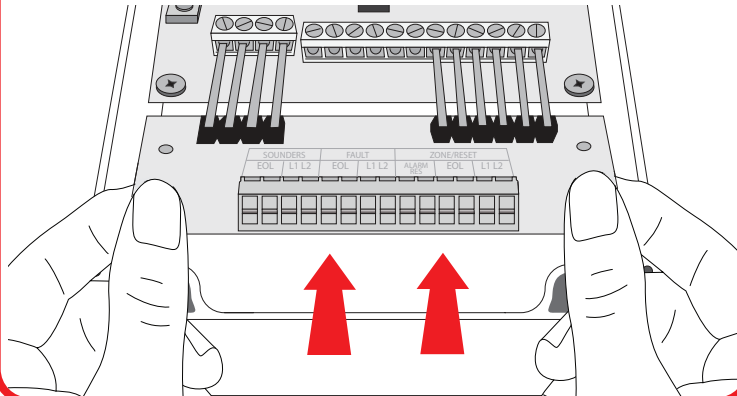
Installation must conform to applicable local installation codes and should only be installed by a fully trained competent person.

- Only fit the CIC to the Zone Interface Module (ZIM), when connecting to a Conventional Control Panel.
- The CIC should only be connected to designated zone and sounder circuits.
- Refer to the EMS Wireless Zone Monitor Engineers Guide (TSD143) for full programming information.
- For details on compatible Conventional Fire Alarm Panels, refer to document reference MK51, which is free to download from www.emsgroup.co.uk.

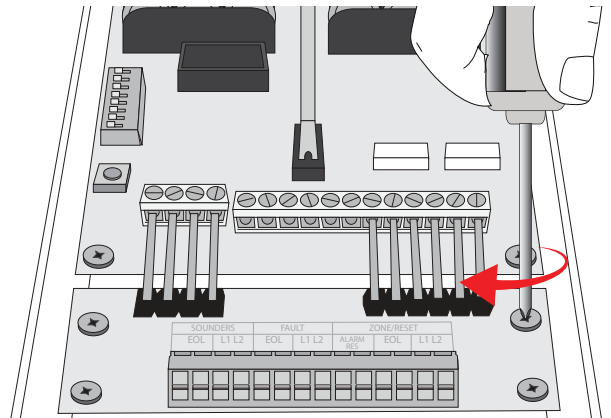


3 Connect CIC to the ZIM

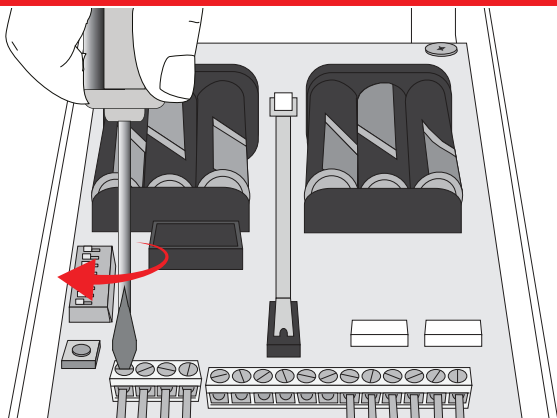
Ensure the pins line up with the ZIM's terminal connections as shown.



4 Fasten the CIC PCB into the ZIM



5 Fasten the ZIM's Terminals



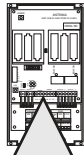
6 Connection Wiring

- The CIC can be wired in two different ways.
- Fault notification can either be monitored via the Conventional FAPs Sounder or Zone Circuit.
- See overleaf for the alternative wiring methods.

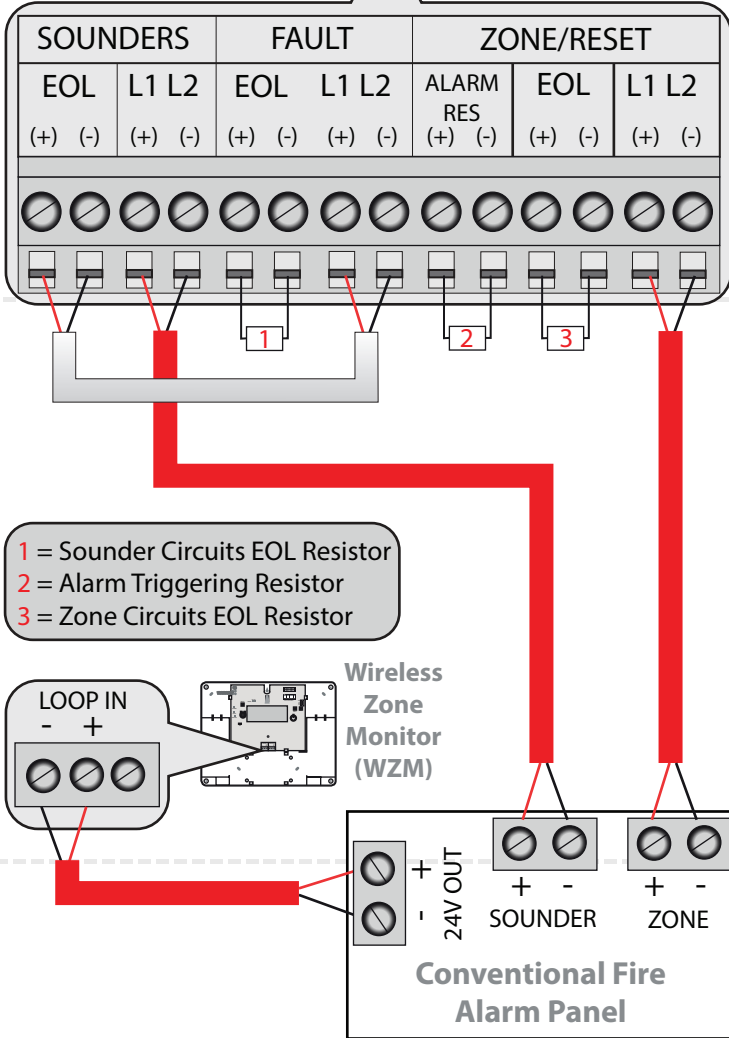
6 Connection Wiring continued

Option 1

Wired to provide fault notification on Conventional FAP's Sounder Circuit



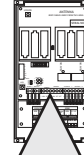
Zone Interface Monitor (ZIM) with Conventional Interface Card (CIC) fitted



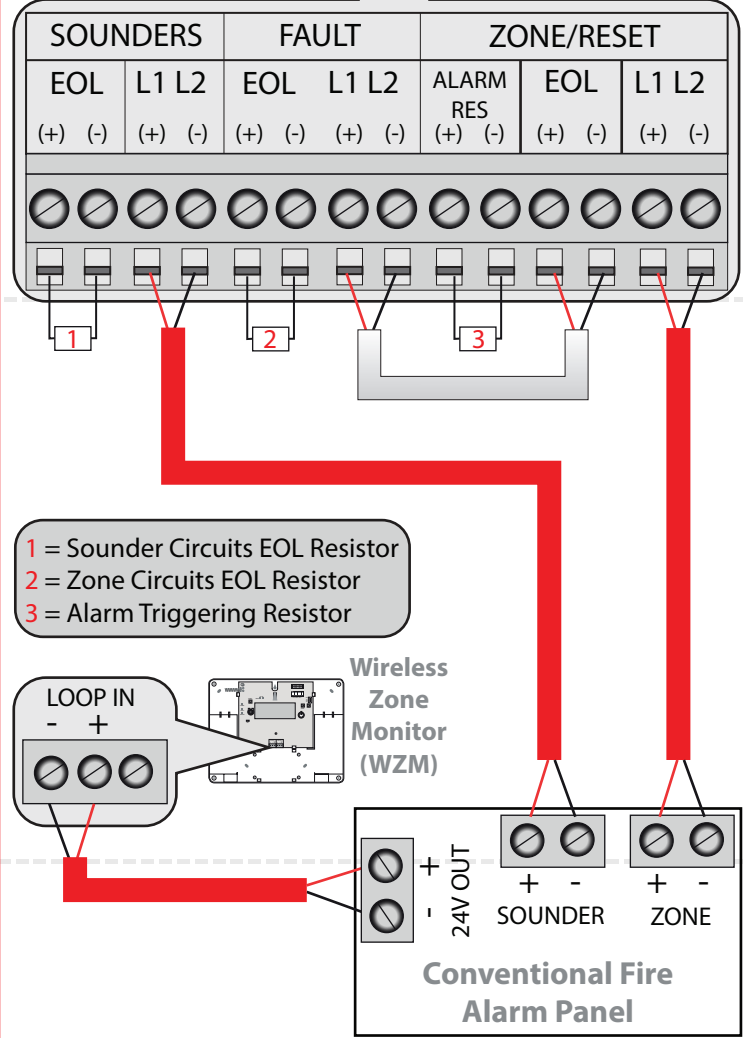
6 Connection Wiring continued

Option 2

Wired to provide fault notification on Conventional FAP's Zone Circuit



Zone Interface Monitor (ZIM) with Conventional Interface Card (CIC) fitted



Specification

Operating Temperature	-10°C to 55°C
Storage Temperature	5°C to 30°C
Humidity	Up to 95% non-condensing
Supply	Powered from Zone Interface Monitor
Max Current Drawn from Connected Panel	6mA
Max Voltage	50Vdc
IP Rating	IP65 (when fitted inside Zone Interface Monitor)
Dimensions	110mm (W) 50mm (H) 10mm (D)
Weight	0.05kg
Location	Type A: For indoor use

Regulatory Information

Manufacturer	EMS Security Group Ltd. Technology House, Herne Bay, Kent, CT6 8JZ, United Kingdom
Year of manufacture	See devices serial number label
Certification	CE 14
Certification body	0359
CPR Certificate DOP	0359-CPR-00436
Approved to	EN54-18:2005. Fire detection and fire alarm systems. Part 18: Input/output devices.
European Union directives	EMS Security Group Ltd hereby declares that this device is in compliance with the essential requirements and other relevant provisions of Directive 2014/53/EU (R&TTE directive).



2012/19/EU (WEEE directive): Products marked with this symbol cannot be disposed of as unsorted municipal waste in the European Union. For recycling, return this product to your local supplier upon purchase of equivalent new equipment, or dispose of it at designated collection points. For more information see www.recyclethis.info