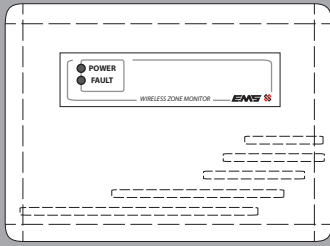


Wireless Zone Monitor Installation Guide

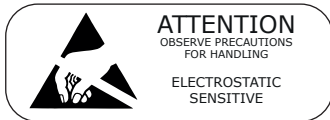


Pre Installation

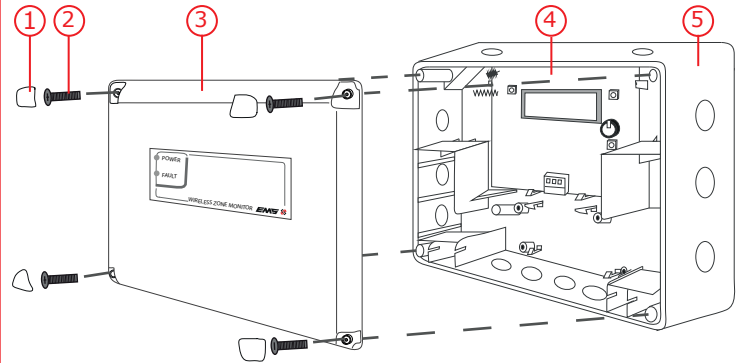


Installation must conform to applicable local installation codes and should only be installed by a fully trained competent person.

- Ensure the WZM is installed as per the site survey.
- Refer to step 3 to ensure optimised wireless performance.
- Refer to the Wireless Zone Monitor Engineers guide (Doc Ref: TSD143) for full programming details.



2 Components



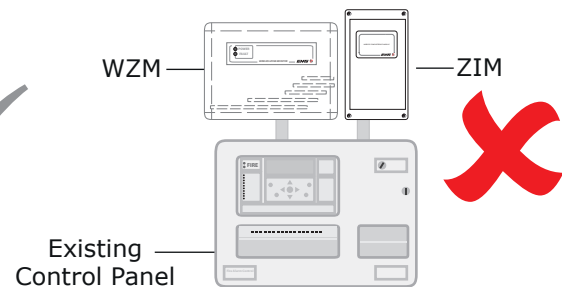
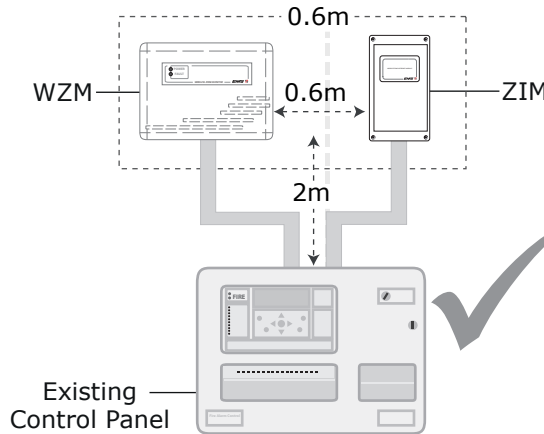
- ① 4x Corner covers
- ② 4x Lid Screws
- ③ 1x WZM Lid
- ④ 1x WZM PCB
- ⑤ 1x WZM Back Box

3 Mounting Location Guidelines



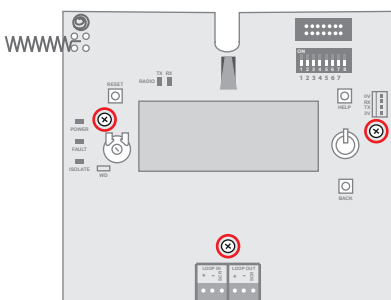
For optimum wireless performance, the following must be observed:

- The WZM and ZIM must be separated by a minimum of 0.6m.
- Ensure the WZM is not installed within 2m of the Control Panel or any other wireless or electrical equipment.
- Ensure the WZM is not installed within 0.6m of any metal work.



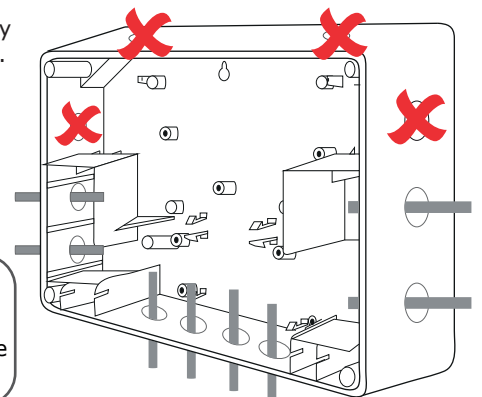
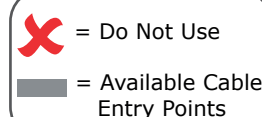
4 Optional PCB Removal

- Remove the three circled retaining screws, before unclipping the PCB.



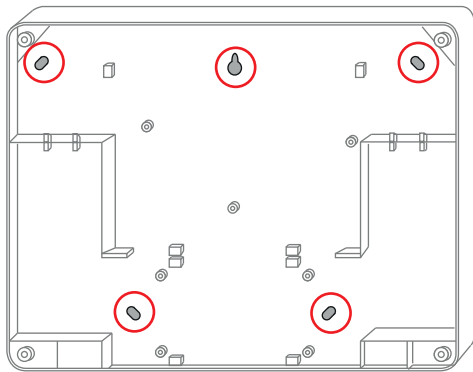
5 Remove Cable Entry Points

- Drill the cable entry points, as necessary.



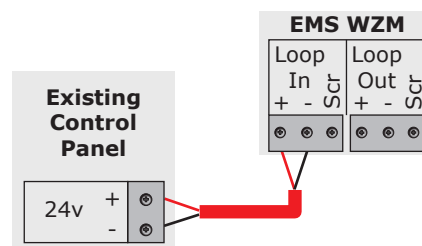
6 Fix to the Wall

- All five circled fixing positions are available for use.
- The key hole can also be used for fixing and locating where required.



7 Connection Wiring

- Cables should only be passed via the access points available.
- Flame retardant cable glands must be used.
- DO NOT leave excess cable in the WZM.



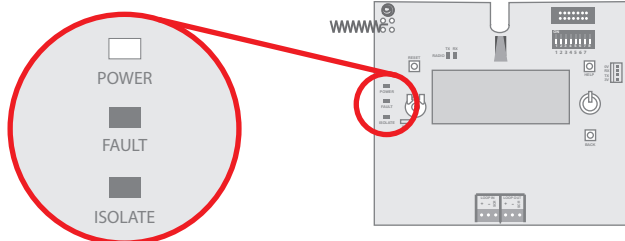
Note

If the WZM is to be powered from a separate 24V power supply, the power supply should be fault monitored. A Wireless Input /Output Unit can be used if required.

8 Applying Power

Apply power. The normal LED states for the WZM are as below:

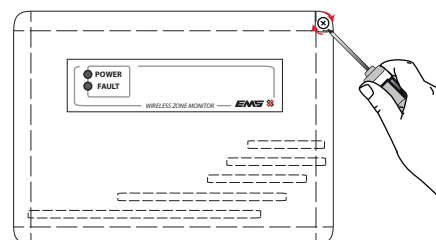
- Power LED - Green LED will be on.
- Fault LED - Yellow LED will be off.



Note: The Isolate LED is not used on this product.

9 Close WZM


- Ensure that the WZM PCB is correctly inserted and the PCB retaining screws are refitted.
- Refit the WZM lid, ensuring LEDs are not damaged by the light pipe when refitting.



Specification

Operating Temperature	-10°C to 55°C
Storage Temperature	5°C to 30°C
Humidity	Up to 95% non-condensing
Operating Voltage	17 to 28Vdc
Power Requirements	17mA @24Vdc
IP Rating	IP54
Operating Frequency	868MHz
Output Transmitter Power	0 - 14 dBm (0 - 25 mW)
Dimensions	270mm (W) 205mm (H) 75mm (D)
Weight	0.95kg
Location	Type A: For indoor use

Regulatory Information

Manufacturer	EMS Security Group Ltd. Technology House, Herne Bay, Kent, CT6 8JZ, United Kingdom
Year of manufacture	See devices serial number label
Certification	CE 14
Certification body	0359
CPR Certificate DOP	0359-CPR-00436
Approved to	EN54-18:2005. Fire detection and fire alarm systems. Part 18:Input/output devices. EN54-25:2008. Incorporating corrigenda September 2010 and March 2012. Fire detection and fire alarm systems. Part 25: Components using radio links.
European Union directives	EMS Security Group Ltd hereby declares that this device is in compliance with the essential requirements and other relevant provisions of Directive 2014/53/EU (R&TTE directive).
	2012/19/EU (WEEE directive): Products marked with this symbol cannot be disposed of as unsorted municipal waste in the European Union. For proper recycling, return this product to your local supplier upon purchase of equivalent new equipment, or dispose of it at designated collection points. For more information see www.recyclethis.info