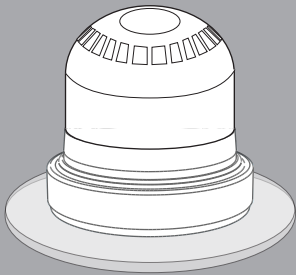
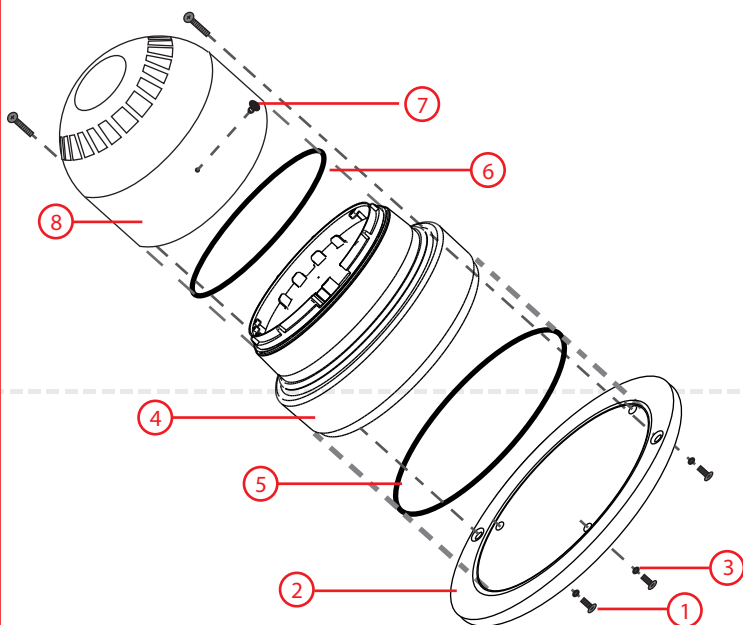


Wireless Sounder Weather Resistant Kit Installation Guide



1 Supplied Parts

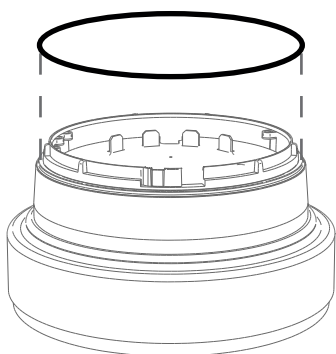
- Ensure that you have all of the required parts as detailed below.



ITEM NO	QTY	PART DESCRIPTION
1	3	1/2 PAN POZI SCREW
2	1	PERSPEX MOUNTING PLATE
3	3	FLAT WASHER
4	1	WIRELESS MODULE (SOLD SEPARATELY)
5	1	LARGE O-RING
6	1	SMALL O-RING
7	1	RUBBER PLUG
8	1	SOUNDER VISUAL INDICATOR (SOLD SEPARATELY)

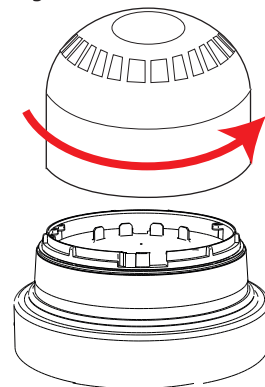
4 Fit Small O-Ring

- Fit the Small O-Ring (Item 6) to the top of the Wireless Module.



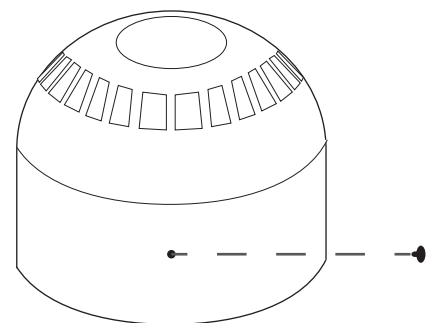
2 Remove Sounder

- Remove the Sounder / Visual Indicator from the Wireless Module by turning it anticlockwise.



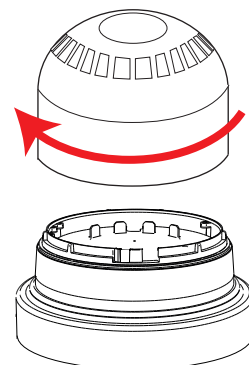
3 Fit Rubber Plug

- Fit the Rubber Plug (item 7) into the cavity on the Sounder / Visual Indicator.



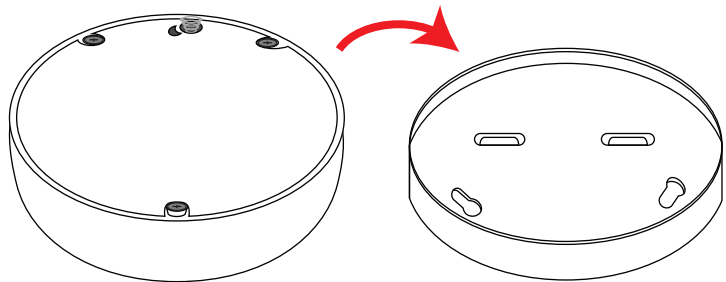
5 Attach Sounder

- Re-attach the Sounder / Visual Indicator to the Wireless Module



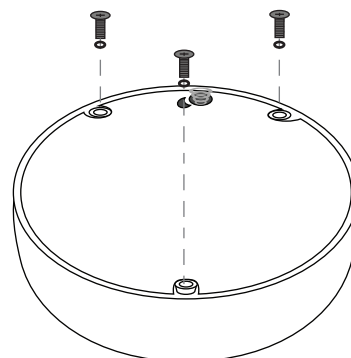
6 Remove Mounting Plate

- Remove the Mounting Plate by turning it anticlockwise.



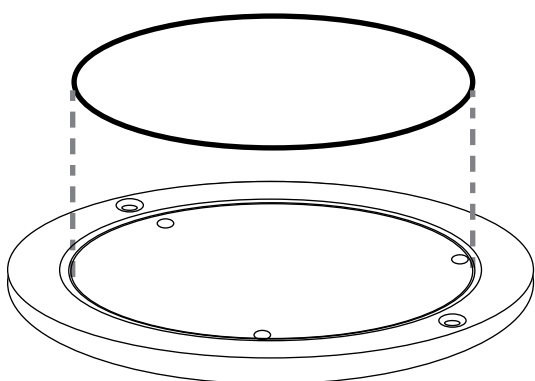
7 Remove Screws

- Remove the three exposed screws. The battery retaining plate must also be removed.



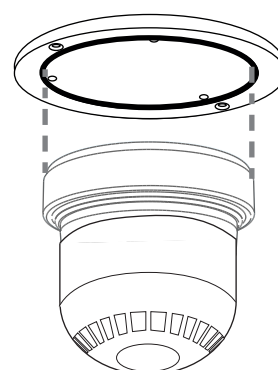
8 Fit Large O-Ring

- Fit the Large O-Ring (item 5) to the Perspex Mounting Plate.



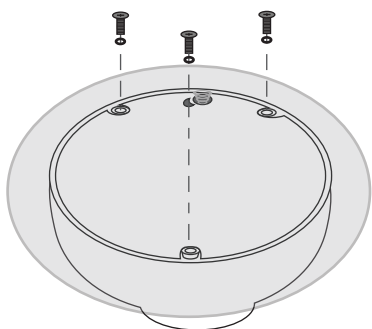
9 Fit Device to Mounting Plate

- Fit the device on to the Perspex Mounting Plate (Item 2) with the O-Ring between them as shown.



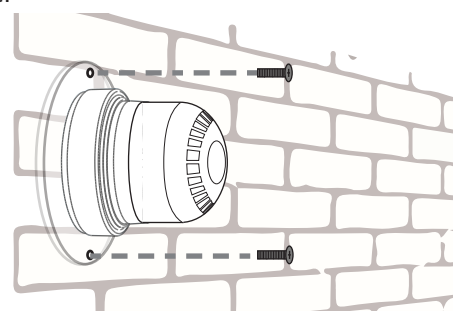
10 Secure Mounting Plate

- Align the devices and plates screw holes as shown.
- Secure the device to the Perspex Mounting Plate using the washers and screws (items 1 and 3).



11 Fix to the Wall

- Fix the weather resistant sounder securely to the wall using suitable 4mm countersunk screws as shown.
- The rubber plug should be located at the bottom of the device.



Specification

Compatibility	For use with FireCell Wireless Sounder and Visual Indicator Variants.
IP Rating	IP55
Dimensions	155mm (Ø) 12mm (D)
Weight	0.25Kg

Regulatory Information

Manufacturer	EMS Security Group Ltd. Technology House, Herne Bay, Kent, CT6 8JZ, United Kingdom
Complies With	BS EN 60529:2000
Application	Type B: for outdoor use