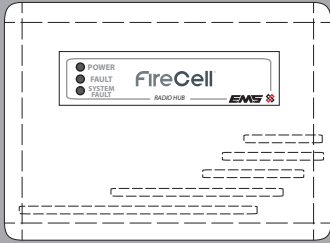


Radio Hub Installation Guide



1 Pre Installation

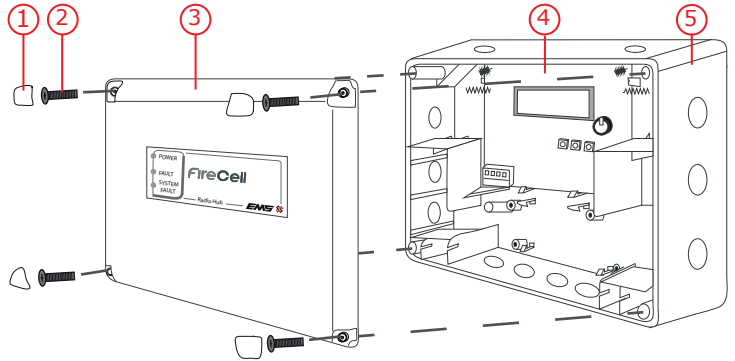


Installation must conform to applicable local installation codes and should only be installed by a fully trained competent person.

- Ensure the Radio Hub is located as per the site survey.
- Refer to step 3 to ensure optimised wireless performance.
- If using remote aerials with this product, refer to the Remote Aerial Installation manual for more information.



2 Components



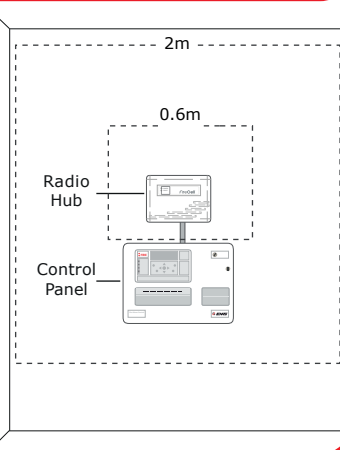
- ① 4x Corner Covers
- ② 4x Lid Screws
- ③ 1x Radio Hub Lid
- ④ 1x Radio Hub PCB
- ⑤ 1x Radio Hub Back Box

3 Mounting Location Guidelines



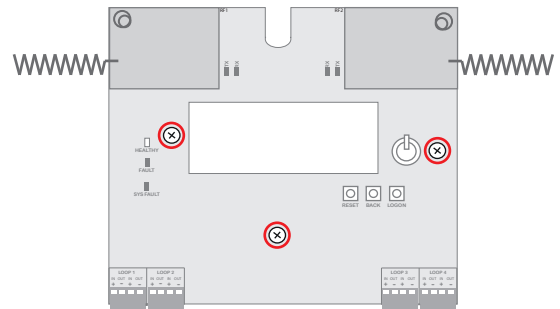
For optimum wireless performance, the following must be observed:

- Ensure the Radio Hub is not installed within 2m of other wireless or electrical equipment (not including the Control Panel).
- Ensure the Radio Hub is not installed within 0.6m of any metal work.



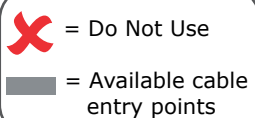
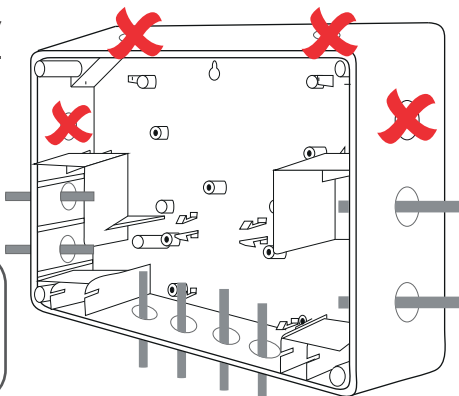
4 Optional PCB Removal

- Remove the three circled retaining screws, before unclipping the PCB.



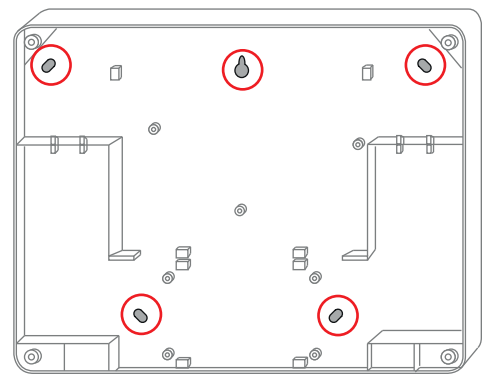
5 Remove Cable Entry Points

- Drill the cable entry points as necessary.



6 Fix to the Wall

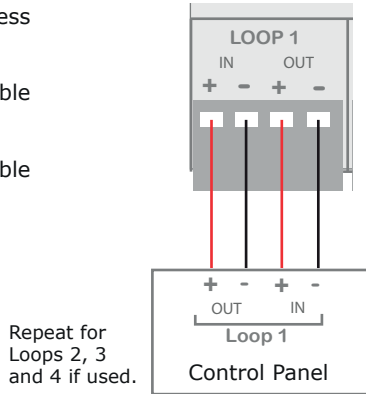
- All five circled fixing positions are available for use.
- The key hole can also be used for locating and fixing where required.



7 Connection Wiring

- Loop cables should only be passed via the access points available.
- Flame retardant cable glands must be used.
- DO NOT leave excess cable in the Radio Hub.

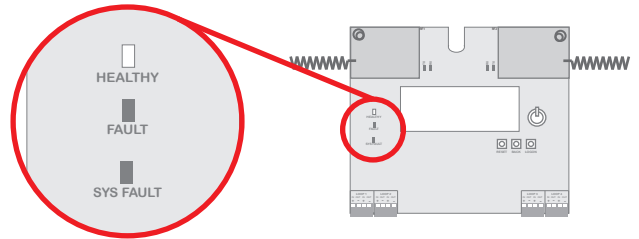
Radio Hub Loop 1 connection



8 Applying Power

Apply power to the Control Panel. The normal LED states for the Radio Hub are as below:

- Healthy LED - Green LED will be on.
- Fault LED - Yellow LED will be off.
- Sys Fault LED - Yellow LED will be off.



9 Configuration

The Radio Hub's programming and loop address are configured within the menu structure of the Radio Hub.

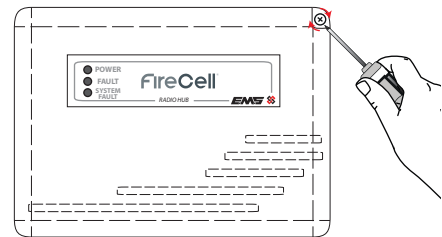
- Refer to the programming manual (Doc Ref: MK98) for details of compatible FireCell devices and full programming information.



Free to download from www.emsgroup.co.uk

10 Close Radio Hub

- Ensure that the Radio Hub PCB is correctly inserted and that the PCB retaining screws are refitted.
- Refit the Radio Hub lid, ensuring the LEDs are not damaged by the light pipe when refitting.



Specification

Operating Temperature	-10°C to 55°C
Storage Temperature	5°C to 30°C
Humidity	Up to 95% non-condensing
Operating Voltage	17 to 28Vdc
Typical Operating Current	24mA@24Vdc loop powered (1st loop) +7mA per each connected loop
IP Rating	IP54
Operating Frequency	868MHz
Output Transmitter Power	0 - 14 dBm (0 - 25 mW)
Dimensions	270mm (W) 205mm (H) 75mm (D)
Weight	0.95kg

Regulatory Information

Manufacturer	EMS Security Group Ltd. Technology House, Herne Bay, Kent, CT6 8JZ, United Kingdom
Year of manufacture	See devices serial number label
Certification	CE 10
Certification body	0359
CPR Certificate DOP	0359-CPR-0028
Approved to	EN54-18:2005. Fire detection and fire alarm systems. Part 18: Input/output devices. EN54-25:2008. Incorporating corrigenda September 2010 and March 2012. Fire detection and fire alarm systems. Part 25: Components using radio links.
European Union directives	EMS Security Group Ltd hereby declares that this device is in compliance with the essential requirements and other relevant provisions of Directive 2014/53/EU (R&TTE directive).



2012/19/EU (WEEE directive):
Products marked with this symbol cannot be disposed of as unsorted municipal waste in the European Union. For proper recycling, return this product to your local supplier upon purchase of equivalent new equipment, or dispose of it at designated collection points. For more information see www.recyclethis.info