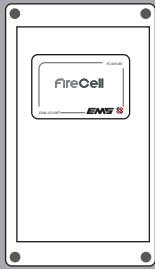


Wireless Input Output Unit Installation Guide

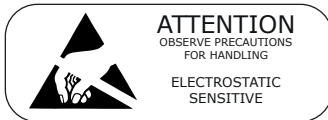


1 Pre Installation

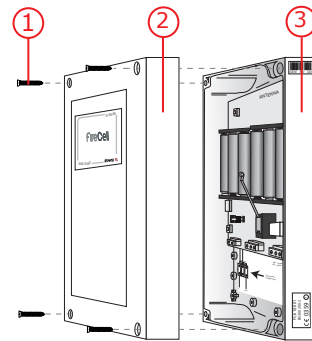


Installation must conform to applicable local installation codes and should only be installed by a fully trained competent person.

- Ensure that the device is installed as per the site survey.
- The use of a non-metallic spacer should be considered if mounting the device on to a metal surface.
- Do NOT Press the Log On button on a pre-programmed device, as this will cause communication with the Control Panel to be lost. Should this happen, delete the device from the system and add it back on.



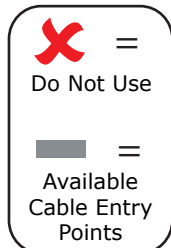
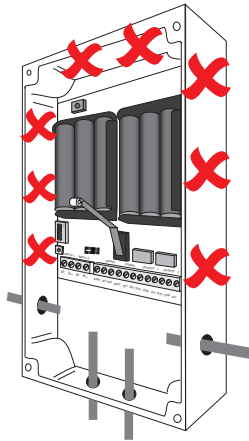
2 Components



- ① 4x Lid Fixing Screws ② Front Lid ③ Back Box

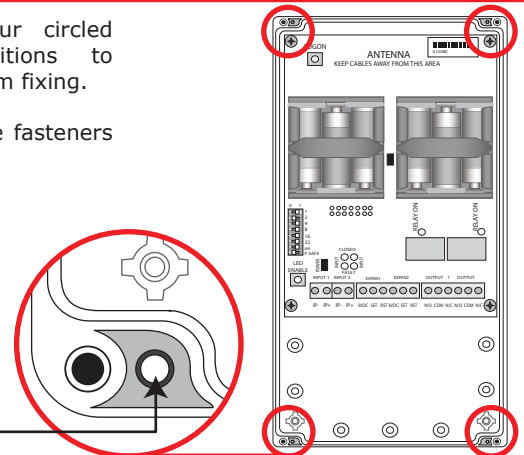
3 Remove Cable Entry Points

- Drill the cable entry points as necessary.
- Cable glands should be used.
- DO NOT leave excess cable in the device.



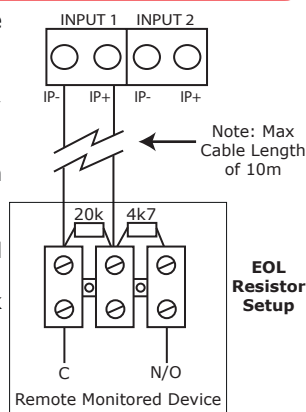
4 Fix to the Wall

- Use all four circled fixing positions to ensure a firm fixing.
- Use suitable fasteners and fixings.



5 Input Wiring

- Two resistor monitored inputs are available.
- Both inputs monitor; closed (alarm), open and short circuit conditions.
- Each input is factory fitted with an end of line 20kΩ resistor.
- To connect inputs to external devices, wire as shown below. I.e. Input 1, using the resistor pack provided.
- If an input is not being used, leave the 20kΩ resistor as factory fitted.



6 Output Wiring

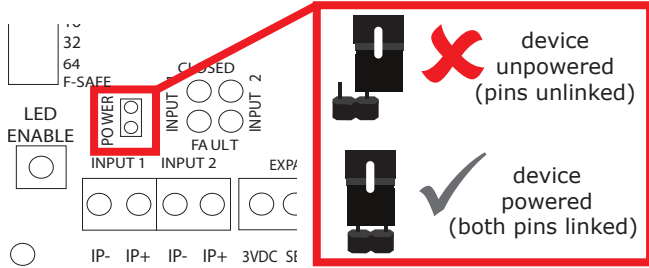
- Two outputs are also available.
- Both outputs are voltage free and rated 2A @ 24Vdc.

OUTPUT 1			OUTPUT 2		
N/O	COM	N/C	N/O	COM	N/C
○	○	○	○	○	○

⚠ WARNING. DO NOT CONNECT TO MAINS.

7 Power Device

- When fitting / replacing batteries; observe correct polarity, using only specified batteries.
- Connect the power jumper across the PIN header.



- Once powered, reassemble the device.

8 Configuration

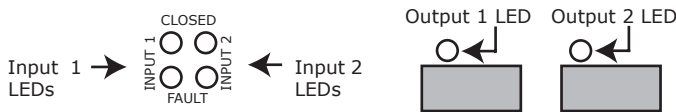
The device's loop address is configured within the menu structure of the Radio Hub.

- Refer to the programming manual (Doc Ref: MK98) for full programming information.



Free to download from www.emsgroup.co.uk

9 LED Operation



The device has six indication LEDs. Pressing the LED enable button enables their illumination for 10 minutes before automatically timing out.

2x Input Fault: YELLOW LED ON ☀ = FAULT

2x Input Closed: RED LED ON ☀ = ACTIVE

2x Output: RED LED ON ☀ = ACTIVE

Specification

Operating Temperature	-10°C to 55°C
Storage Temperature	5°C to 30°C
Humidity	Up to 95% non-condensing
Supply	6x AA Alkaline (Panasonic LR6AD Powerline / Varta 4006 Industrial)

CAUTION!
Fitting of an incorrect battery type invalidates the product certification and may result in poor performance.

Output rating	2A @ 24Vdc
IP Rating	IP65
Operating Frequency	868MHz
Output Transmitter Power	Auto adjusting 0 - 14 dBm (0 - 25 mW)
Dimensions	270mm (W) 205mm (H) 75mm (D)
Weight	0.95kg
Location	Type A: For indoor use

Regulatory Information

Manufacturer	EMS Security Group Ltd. Technology House, Herne Bay, Kent, CT6 8JZ, United Kingdom
Year of manufacture	See devices serial number label
Certification	CE 10
Certification body	0359
CPR Certificate DOP	0359-CPR-0039
Approved to	EN54-18:2005. Fire detection and fire alarm systems. Part 18: Input/output devices. EN54-25:2008. Incorporating corrigenda September 2010 and March 2012. Fire detection and fire alarm systems. Part 25: Components using radio links.
European Union directives	EMS Security Group Ltd hereby declares that this device is in compliance with the essential requirements and other relevant provisions of Directive 2014/53/EU (R&TTE directive).



2012/19/EU (WEEE directive):
Products marked with this symbol cannot be disposed of as unsorted municipal waste in the European Union. For recycling, return this product to your local supplier upon purchase of equivalent new equipment, or dispose of it at designated collection points. For more information see www.recyclethis.info
Dispose of your batteries in an environmentally friendly manner according to your local regulations.