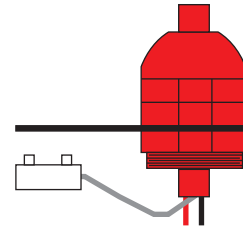


Radio Network Communicator (RNC) for FireCell Syncro AS 1 & 2 Loop Panels Installation Details

Required connections are detailed below:

RNC	Syncro AS Panel
Power IN 24V DC +	Aux 24V +
Power IN 24V DC -	Aux 24V -
RS485 IN +	Net Out+
RS485 IN -	Net Out -
RS485 OUT +	Net In +
RS485 OUT -	Net In -

The screen or drain wires should be bonded to the earth terminal via a suitable connection block.

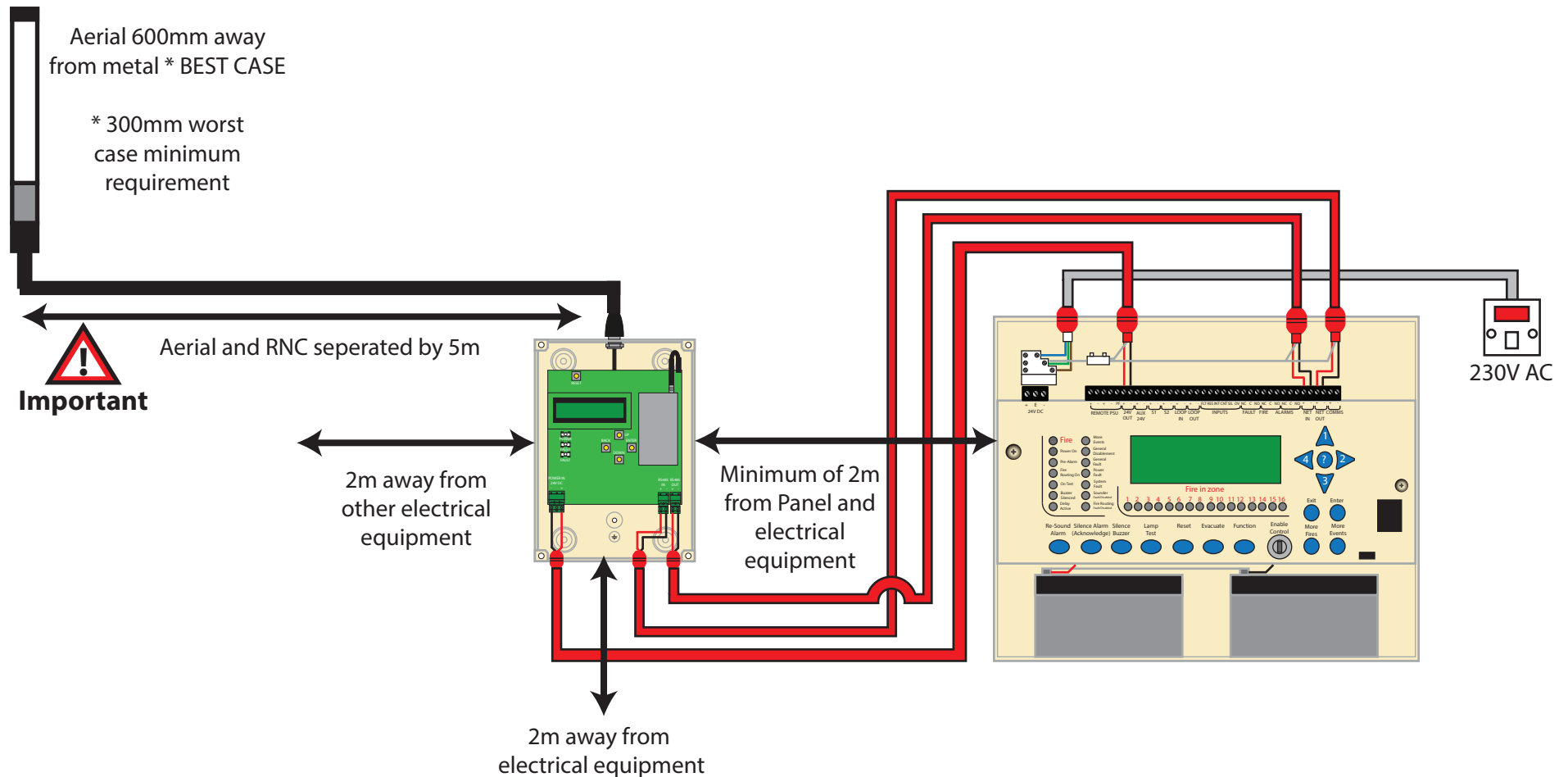


See Syncro AS Panel instructions for more information.

Note

Please ensure the RNC is installed as per the wiring diagram to achieve optimum performance.

Any deviation from these instructions will affect performance of the system operation.



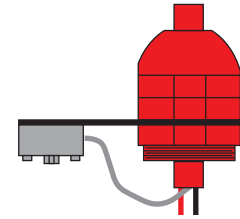
Radio Network Communicator (RNC) for FireCell Syncro 2 & 4 Loop Panels

Installation Details

Required connections are detailed below:

RNC		Syncro AS Panel
Power IN 24V DC +	_____	Aux 24V +
Power IN 24V DC -	_____	Aux 24V -
RS485 IN +	_____	Net Out+
RS485 IN -	_____	Net Out -
RS485 OUT +	_____	Net In +
RS485 OUT -	_____	Net In -

The screen or drain wires should be bonded to the earth terminals provided, ensuring that the shortest possible path is taken to the earth block.



Note: All unused clamping screws on the earth terminal block shall be tightened after the cables have been installed. This is to ensure that they do not work loose or cause any panel failures as a result of vibration. See Syncro Panel instructions for more information.

Note

Please ensure the RNC is installed as per the wiring diagram to achieve optimum performance.

Any deviation from these instructions will affect performance of the system operation.

