



FirePoint

5000



RADIO STROBE VARIANT INSTALLATION MANUAL

MODEL NUMBERS:
53-5310 Sounder / Strobe Unit,
53-5311 Sounder / Strobe Unit with Callpoint Input &
53-5315 Strobe Only Unit.

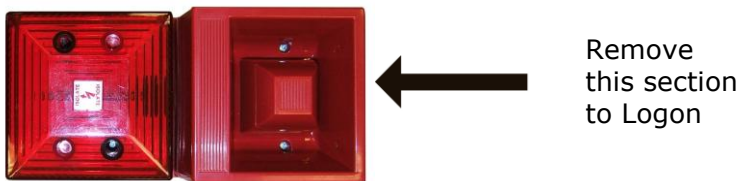
Table of Contents

Section	Page No
1. LOGGING ON A RADIO STROBE	3
2. SOUNDER VOLUME	6
3. UNIT TAMPER	7
4. STROBE INSTALLATION	7
5. CALL POINT INPUT WIRING.....	9

1. Logging on a Radio Strobe

If the installation has been ordered as a complete system, the devices and panel will be supplied already "pre-programmed". In this scenario proceed from section 2. If the devices are purchased separately, they must be added manually to the system. The process of adding radio devices to the 5000 FirePoint Control Panel, is largely carried out automatically, by the panel's own operating system. It is usual practice for each device to require "logging on" to the system. In such cases, the following action must be taken.

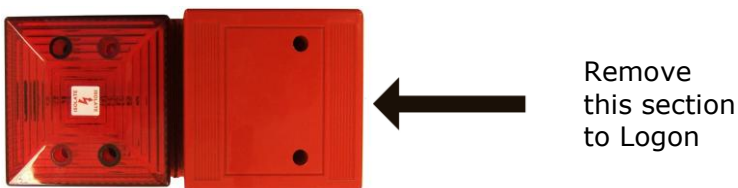
When logging on the 53-5310, (Sounder / Strobe Unit): -



When logging on the 53-5311, (Sounder / Strobe Unit with Call point Input): -



When logging on the 53-5315, (Strobe Only Unit): -



As seen in figure 1, the box consists of two separate sections, being the transmitter section and the battery/back box section. The strobe can be programmed to the system by the following procedure:

EMS 5000 FIREPOINT

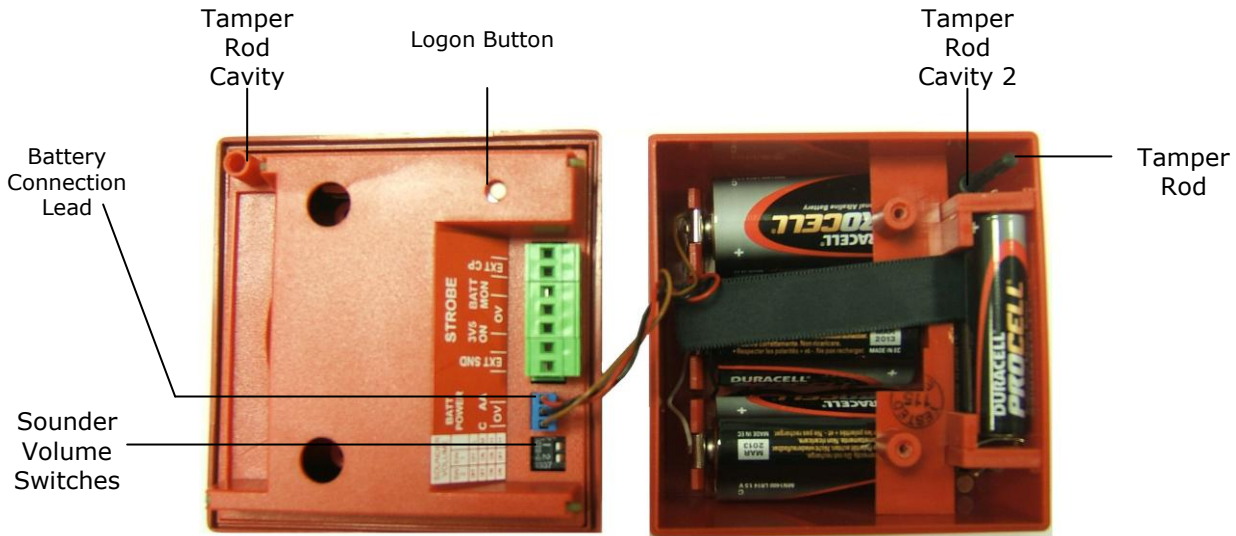


Figure 1

Check that all batteries are fitted and that the Battery Connection Lead is in place, hence applying power to the transmitter section. (As shown above in Figure 1).

To log on the device to the 5000 FirePoint, take the device to the front of the panel. Insert the key into the Panels Control Keyswitch, located on the bottom right of the Panel.

Step No	Action	Screen Display
---------	--------	----------------

1	With the key in the "ON" position, the screen will display:	
---	---	--

```

Panel in Access
Date           Time
    
```

2	Press the "0" key and the screen will now display:	
---	--	--

```

|***Options***|
|> Passwords  <|
| Time and Date|
| Yes =Select  Time|
    
```

3	Press the "∇" key until the screen displays:	
---	--	--

```

| Logging      |
|> Fire System Opts <|
| Remote Access|
| Yes = select  Time|
    
```

4	Press the "YES" key and the screen will now display:	
---	--	--

```

|** Fire system **|
|> Dev. Disable/Test<|
| Net. Disable/Test|
| Yes= Select      Time|
    
```

5	Press the "∇" key until the screen displays:	
---	--	--

```

| System Mode  |
|>Engineers Config <|
| Printer Options|
| Yes= Select   Time|
    
```

EMS 5000 FIREPOINT

- | | | |
|----|---|---|
| 6 | Press the "YES" key and the screen will now display: | <pre> Enter Your PIN For Access> Then Press YES Time </pre> |
| 7 | Press 221100 then press the "YES" key and the screen will display: | <pre> ** Eng.; Config ** > Device Database < Sounder Options Yes= Select Time </pre> |
| 8 | Press the "▽" key until the screen displays: | <pre> Sounder Options > Log On Devices < Site Survey Yes= Select Time </pre> |
| 9 | Press the "YES" key and the screen will now display: | <pre> Logon DISABLED(000) Push YES to change Push NO to escape Push YES/NO Time </pre> |
| 10 | Press the "YES" key to change and the screen will now display: | <pre> **Logon Options** > Logon Slot :AUTO< Slot is :FREE Yes= Select Time </pre> |
| 11 | Press the "0" key and the screen will now display: | <pre> Enter Device (Numbers 1-256) Number> Yes= Finish Time </pre> |
| 12 | Enter the slot number that you want to add a device to (e.g. 125) then press the "YES" key and the Screen will now display: | <pre> **Logon Options** > Logon Slot :125 < Slot is :FREE Yes= Select Time </pre> |
| 13 | Press the "▽" key until the screen displays: | <pre> Slot is :IN USE >Logon is DISABLED< /\/\/\/\/\/\/\ </pre> |
| 14 | Press the "YES" key and the screen will now display: | <pre> Slot is :IN USE >Logon is ENABLED < /\/\/\/\/\/\/\ </pre> |
| 15 | Press and hold the logon button, (as shown in Figure 1 above), for 2-3 seconds, and the screen will now display: | <pre> Logon Default Device 125 Yes= Select Time </pre> |
| | | <pre> Added Default Device 125 Yes= Select Time </pre> |

EMS 5000 FIREPOINT

- 16 Press the "YES" key twice and the screen will now display:

```
| Slot is      :IN USE |
>Logon is DISABLED<
| /VVVVVVVVVV |
```

- 17 Press the "NO" key three times and the screen will now display:

```
01 FAULT  TOT 02
Default Device 125
ZONE 01 DEVICE 125
```

Note: After logging the device on to the system there will be two faults:- 1st fault is processor reset. 2nd fault is the Tamper. (Make sure the device tamper is clear by re-establishing connection of the two parts as explained in section 3, then press the "Silence" and "Reset" buttons to clear the faults).

- 18 After the faults have been cleared, turn the control key to the "OFF" position and the screen will display:

```
Status Normal
Date           Time
```

2. Sounder Volume

The Sounder volume can be adjusted using the switches as shown below in Figure 2.

The switch settings for the volume are dispatched as HIGH volume, with switches 1 & 2 both in the 'On' position.

	High	HIGH (Default)	Medium	Low
Switch settings	1 Off, 2 On	1 & 2 On	1 On, 2 Off	1 & 2 Off

Figure 2

Sounder switches are shown in Figure 3:

Note: Not applicable for the Strobe Only device, (53-5315).

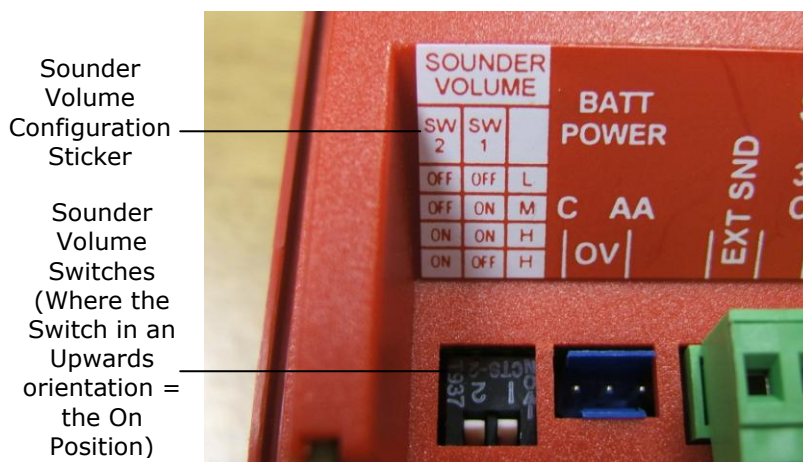


Figure 3

3. Unit Tamper

The radio strobe has a tamper rod, that when assembled, should be placed into both of the tamper rod cavities, as previously shown in Figure 1.

4. Strobe Installation

When installing, ensure all strobes are sited in accordance with survey and design details.

Having already separated the logon sections, we must now remove the two fixing screws for the strobe section. When installing the 53-5311, we must also remove the two fixing screws for the auxiliary section. Now disconnect the battery connection lead and other leads that obstruct access to the back box section. Removing the batteries will expose the mounting holes, as shown in Figure 4.

NOTE: It is important the top mounting hole is used, to ensure movement is stopped and that unwanted tamper alarms are not generated.

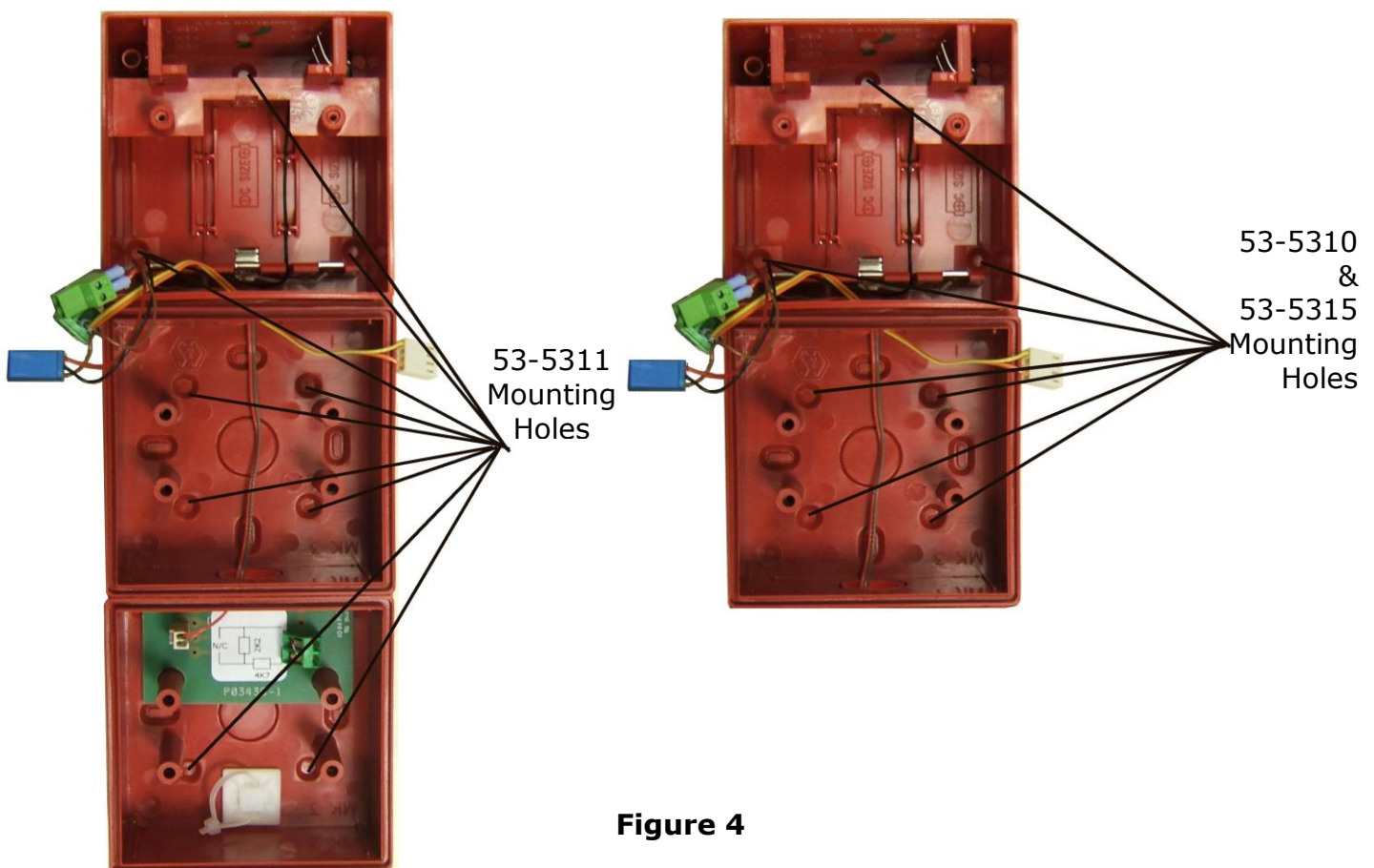


Figure 4

Affix the back box to the wall using no.8 countersunk screws with suitable fixings. Ensure that the strobes orientation is correct, and that countersunk head screws are used so as to prevent the possibility of damaging the internal components.

EMS 5000 FIREPOINT

Now re-insert the 3 x AA cells and 3 x C cell batteries as shown below in Figure 5, and ensure the supplied battery ribbon is wrapped around the first AA cell to enable easy removal of the batteries at a later date.

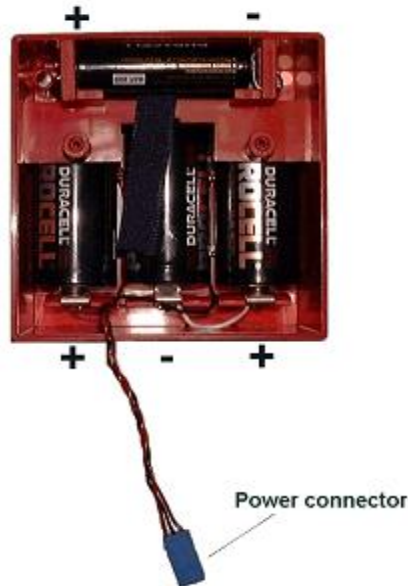


Figure 5

NOTE: Observe the correct battery polarity as shown above.

Now reconnect the power lead between the back box and the front unit. Also re-establish the connection of any other leads previously removed for the back box installation. Locate the transmitter section into the back box, ensuring that the tamper rod is correctly in place. Now finally secure the sections into place by reapplying the fixing screws.

5. Call point Input Wiring

On the Sounder / Strobe with Call point Input, (53-5311), connections to the call point input have to be wired using 4k7 and 2k2 resistors in a normally closed circuit. (See Figure 6). The input sees 4K7 in a clear state. When the 4k7 and 2k2 resistors are in series, (making 6K9), the device will send an alarm signal.

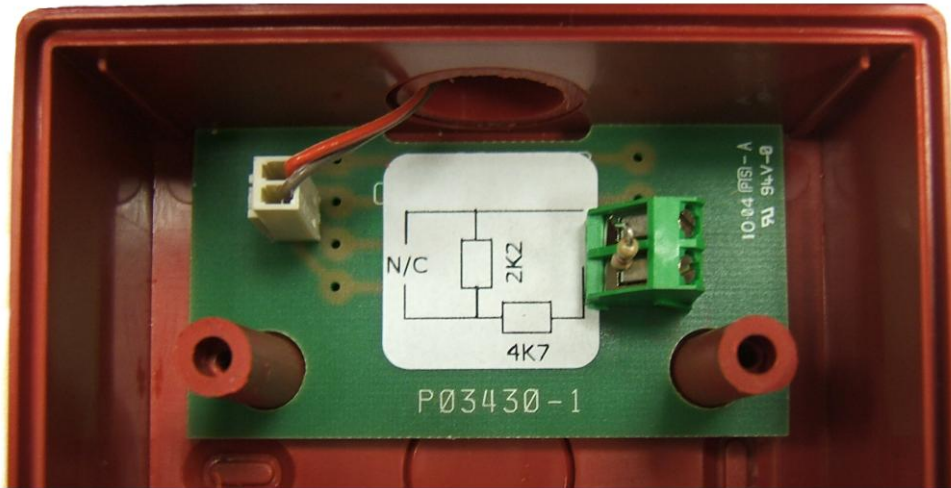
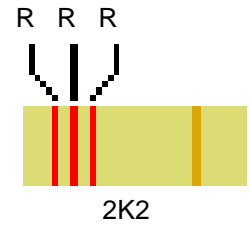
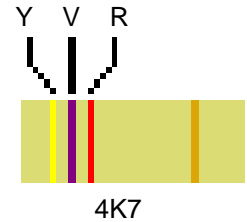


Figure 6

RESISTOR COLOUR CODES





Third Party Accredited
ISO 9001 ■ ISO 13485 ■ ISO 14001

The information contained within this literature is correct at time of publishing. The EMS Security Group Ltd reserves the right to change any information regarding products as part of its continual development enhancing new technology and reliability. The EMS Group advises that any product literature issue numbers are checked with its head office prior to any formal specification being written.