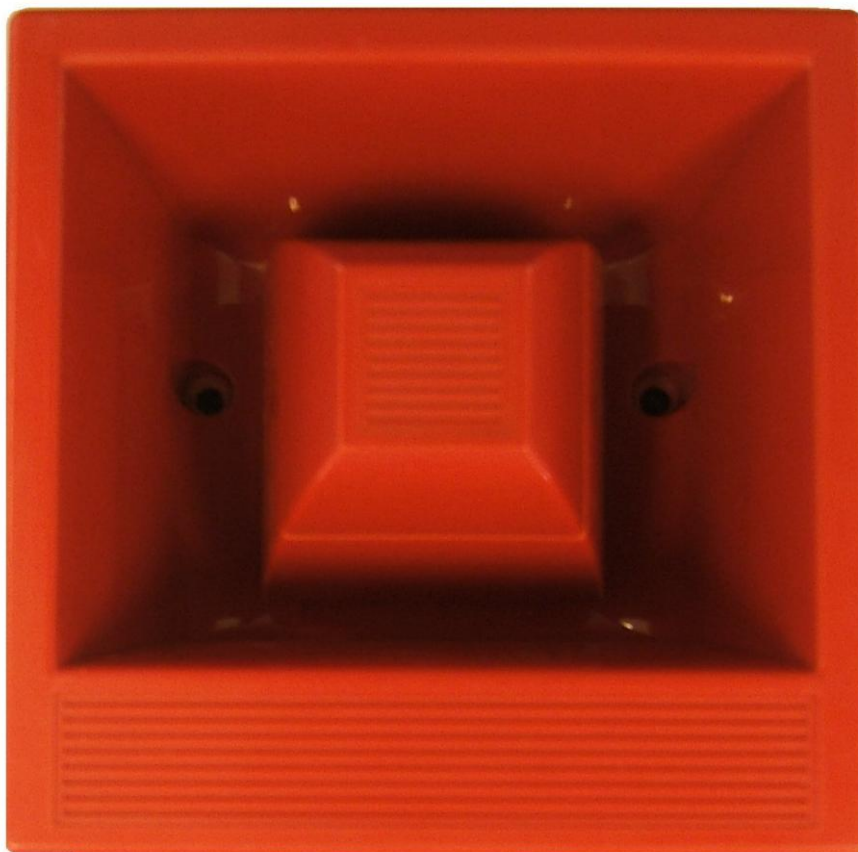




FirePoint

5000



**RADIO SOUNDER
INSTALLATION MANUAL**

Table of Contents

Section	Page No
1. LOGGING ON A RADIO SOUNDER	3
2. SOUNDER VOLUME	6
3. UNIT TAMPER	6
4. SOUNDER INSTALLATION	6

1. Logging on a Radio Sounder

If the installation has been ordered as a complete system, the devices and panel will be supplied already “pre-programmed”. In this scenario go straight to section 2. Otherwise, when the sounders are purchased separately, they must be added manually to the system. The process of adding radio devices to the 5000 FirePoint Control Panel, is largely carried out automatically, by the Panel’s own operating system. It is usual practice for each device to require “logging on” to the system. In such cases, the following action must be taken.

The radio sounder is shown below, in Figure 1, with the two fixing screws removed. As seen below, the sounder consists of two separate sections, being the transmitter section and the battery/back box section. The sounder can be programmed to the system by the following procedure.

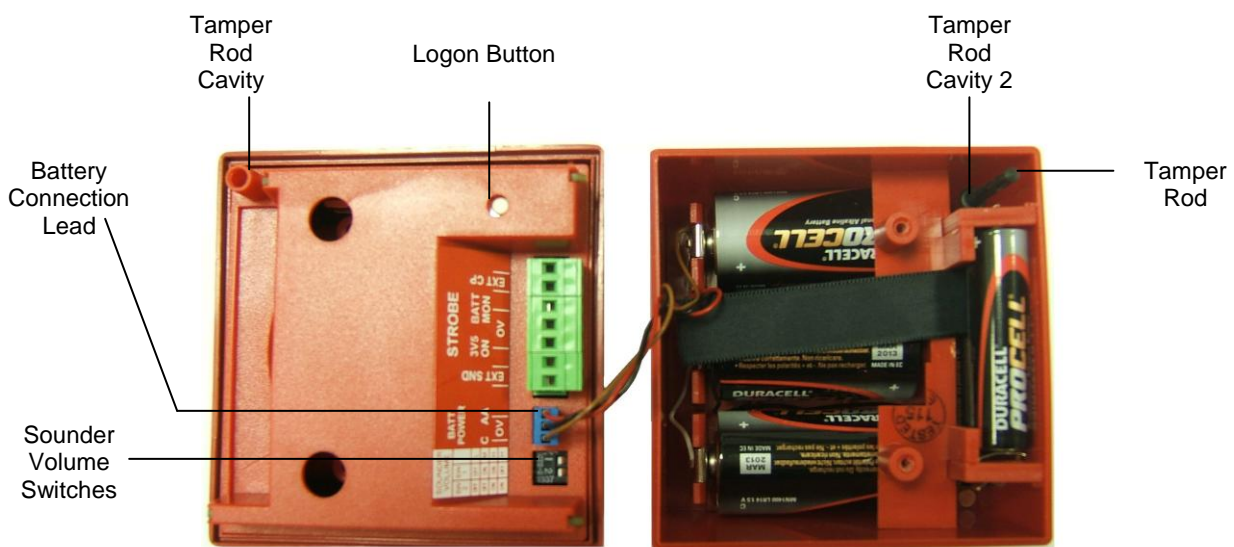


Figure 1

Check that all batteries are fitted and that the Battery Connection Lead is in place, hence applying power to the transmitter section as shown above in Figure 1.

EMS 5000 FIREPOINT

To log the device onto the 5000 FirePoint, take the device to the front of the panel. Insert the key into the Panels Control Key switch, located on the bottom right of the Panel.

Step No	Action	Screen Display
1	With the key in the "ON" position, the screen will display:	<pre> Panel in Access Date Time </pre>
2	Press the "0" key and the screen will now display:	<pre> **Options** * > Passwords < Time and Date Yes =Select Time </pre>
3	Press the "∇" key until the screen displays:	<pre> Logging > Fire System Opts < Remote Access Yes = select Time </pre>
4	Press the "YES" key and the screen will now display:	<pre> ** Fire system ** > Dev. Disable/Test< Net. Disable/Test Yes= Select Time </pre>
5	Press the "∇" key until the screen displays:	<pre> System Mode >Engineers Config < Printer Options Yes= Select Time </pre>
6	Press the "YES" key and the screen will now display:	<pre> Enter Your PIN For Access> Then Press YES Time </pre>
7	Press 221100 then press the "YES" key and the screen will display:	<pre> ** Eng.; Config ** > Device Database < Sounder Options Yes= Select Time </pre>
8	Press the "∇" key until the screen displays:	<pre> Sounder Options > Log On Devices < Site Survey Yes= Select Time </pre>
9	Press the "YES" key and the screen will now display:	<pre> Logon DISABLED(000) Push YES to change Push NO to escape Push YES/NO Time </pre>
10	Press the "YES" key to change and the screen will now display:	<pre> **Logon Options** > Logon Slot :AUTO< Slot is :FREE Yes= Select Time </pre>

EMS 5000 FIREPOINT

- | | | |
|----|-----------------------------------------------------------------------------------------------------------------------------|-------------------------------------------------------------------------------------------------|
| 11 | Press the "0" key and the screen will now display: | Enter Device
(Numbers 1-256)
Number>
Yes= Finish Time |
| 12 | Enter the slot number that you want to add a device to (e.g. 125) then press the "YES" key and the Screen will now display: | **Logon Options**
> Logon Slot :125 <
 Slot is :FREE
Yes= Select Time |
| 13 | Press the "∇" key until the screen displays: | Slot is :IN USE
>Logon is DISABLED<
 /\VVVVVVVV\ |
| 14 | Press the "YES" key and the screen will now display: | Slot is :IN USE
>Logon is ENABLED <
 /\VVVVVVVV\ |
| 15 | Press and hold the logon button, (as shown in Figure 1 above), for 2-3 seconds, and the screen will now display: | Logon Default Device
125

Yes= Select Time |
| | | Added Default Device
125

Yes= Select Time |
| 16 | Press the "YES" key twice and the screen will now display: | Slot is :IN USE
>Logon is DISABLED<
 /\VVVVVVVV\ |
| 17 | Press the "NO" key three times and the screen will now display: | 01 FAULT TOT 02
Default Device 125
ZONE 01 DEVICE 125 |

Note: After logging the device on to the system there will be two faults: - 1st fault is processor reset. 2nd fault is the Tamper. (Make sure the device tamper is clear by re-establishing connection of the two sounder parts as explained in section 3, then press the silence and reset buttons to clear the faults).

- | | | |
|----|-------------------------------------------------------------------------------------------------------------|-----------------------------------------------------|
| 18 | After the faults have been cleared, turn the control key to the "OFF" position and the screen will display: | Status Normal

Date Time |
|----|-------------------------------------------------------------------------------------------------------------|-----------------------------------------------------|

2. Sounder volume

The Sounder volume can be adjusted using the switches as shown below in Figure 2.

The switch settings for the volume are dispatched as HIGH volume, with switches 1 & 2 both in the On position.

	High	HIGH (Default)	Medium	Low
Switch settings	1 Off, 2 On	1 & 2 On	1 On, 2 Off	1 & 2 Off

Figure 2

Sounder switches shown below in Figure 3.

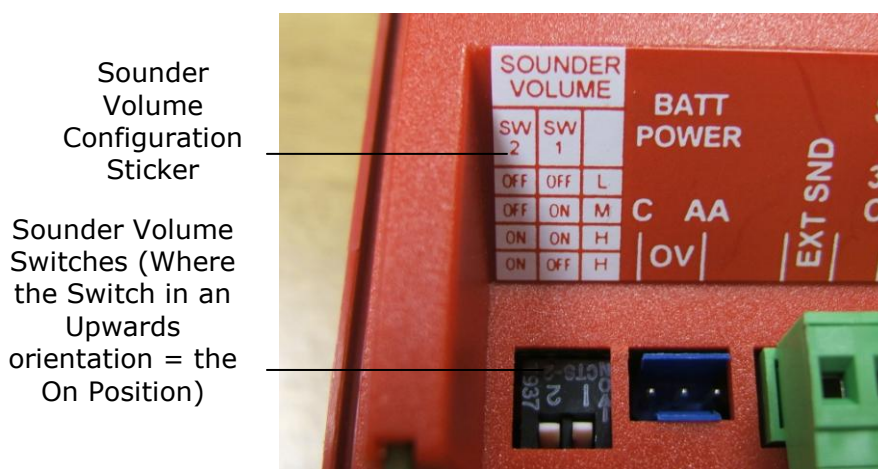


Figure 3

3. Unit Tamper

The radio sounder has a tamper rod, that when reassembled, should be placed into both of the tamper rod cavities, as previously shown in Figure 1.

4. Sounder Installation

When installing, ensure all sounders are sited in accordance with survey and design details.

Having already separated the two sections, now disconnect the battery connection lead. Removing the batteries will expose the mounting holes as shown in Figure 4.

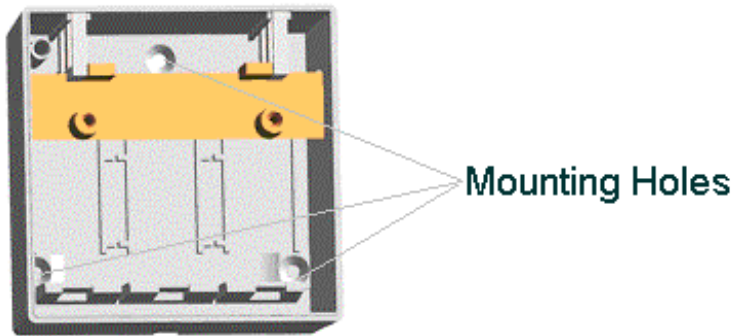


Figure 4

Affix the back box to the wall using no.8 countersunk screws with suitable fixings. Ensure that the sounder orientation is correct, and that countersunk head screws are used so as to prevent the possibility of damaging the internal components.

Now re-insert the 3 x AA cells and 3 x C cell batteries as shown below in Figure 5, and ensure the supplied battery ribbon is wrapped around the first AA cell to enable easy removal of the batteries at a later date.

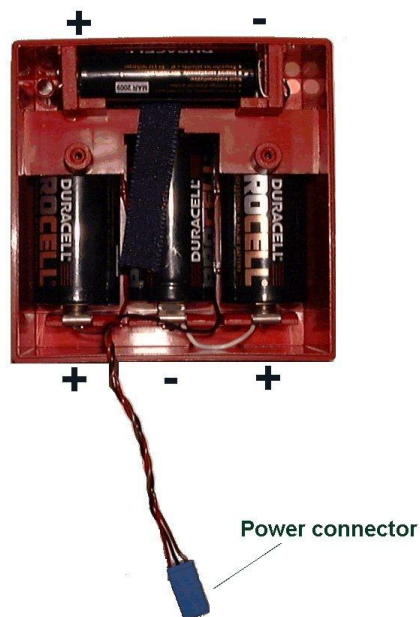


Figure 5

Note: Observe the correct battery polarity as shown above.

Now reconnect the power lead between the back box and the front unit. Locate the transmitter section into the back box, ensuring that the tamper rod is in place. Now finally secure the two sections into place with the two fixing screws.



Third Party Accredited
ISO 9001 ■ ISO 13485 ■ ISO 14001

The information contained within this literature is correct at time of publishing. The EMS Security Group Ltd reserves the right to change any information regarding products as part of its continual development enhancing new technology and reliability. The EMS Group advises that any product literature issue numbers are checked with its head office prior to any formal specification being written.